

## SINGLE STAGE CENTRIFUGAL PUMPS

For times when transferring water is required, or providing a moderate pressure boost, Franklin offers a wide variety of pumps that accomplish most any task. Whether circulating water or other liquids, Franklin's centrifugal pumps have a range of horsepower in single- and three-phase configurations to complete the job. Throughout the selection, the centrifugal pumps and motors are available for indoor and outdoor use with UL approvals.

### PRODUCT FAMILY

- DDS Series
- FCE Series
- A Series
- S Series
- JCM Series

### APPLICATIONS

- Pressure Boosting
- Water Transfer
- General Purpose
- Water Features
- Fountains
- General Dewatering
- Aquariums (A Series, S Series, JCM Series)



FCE Series



DDS Series



S Series



JCM Series



A Series

## STAINLESS STEEL CENTRIFUGAL PUMPS - DDS SERIES

### FEATURES

- 304 stainless steel volute and seal plate
- Volute can be rotated in 90 degree increments for ease of installation
- Mechanical shaft seal; FKM elastomers for added chemical resistance
- Enclosed thermoplastic impeller design for increased efficiency
- Mechanical seal with carbon/ceramic faces, FKM elastomer, and stainless steel components
- Back pull-out design; provides access to pump parts without disturbing the plumbing
- Maximum fluid temperature of 140 °F/60 °C ; maximum working pressure of 150 psi
- Powered by high quality, industry proven, UL778 approved, indoor/outdoor square-flange motors; 2-compartment design for ease of service

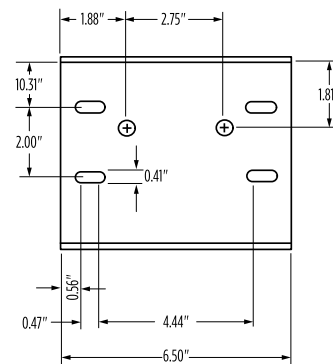
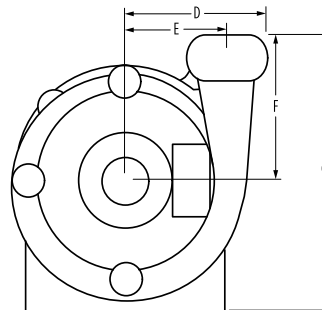
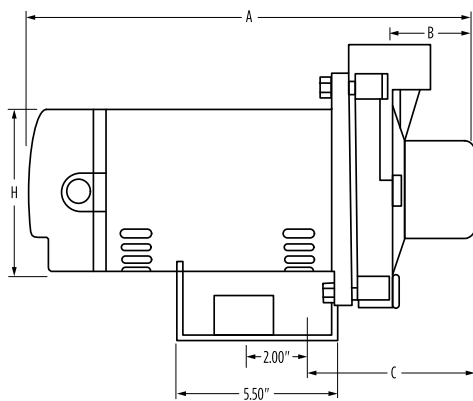


### ORDERING INFORMATION

HP	Dis. x Suc. (FNPT)	Single-Phase (115/230 V)				Three-Phase (208-230/460 V)			
		Model	Order No.	S.F.A.	Wt. (lbs)	Model	Order No.	S.F.A.	Wt. (lbs)
1/2	1" x 1-1/4"	5FPDDSI-S	93178056	12/6	25	5FPDDSI-T	93178098	2.9-2.6/1.3	25
3/4		7FPDDSI-S	93178064	14.2/7.1	29	7FPDDSI-T	93178106	4.1-3.8/1.9	29
1		1FPDDSI-S	93178072	14.8/7.4	31	1FPDDSI-T	93178114	4.8-4.6/2.3	31
1-1/2		15FPDDSI-S	93178080	16.4/8.2	36	15FPDDSI-T	93178122	6.4-6.2/3.1	36

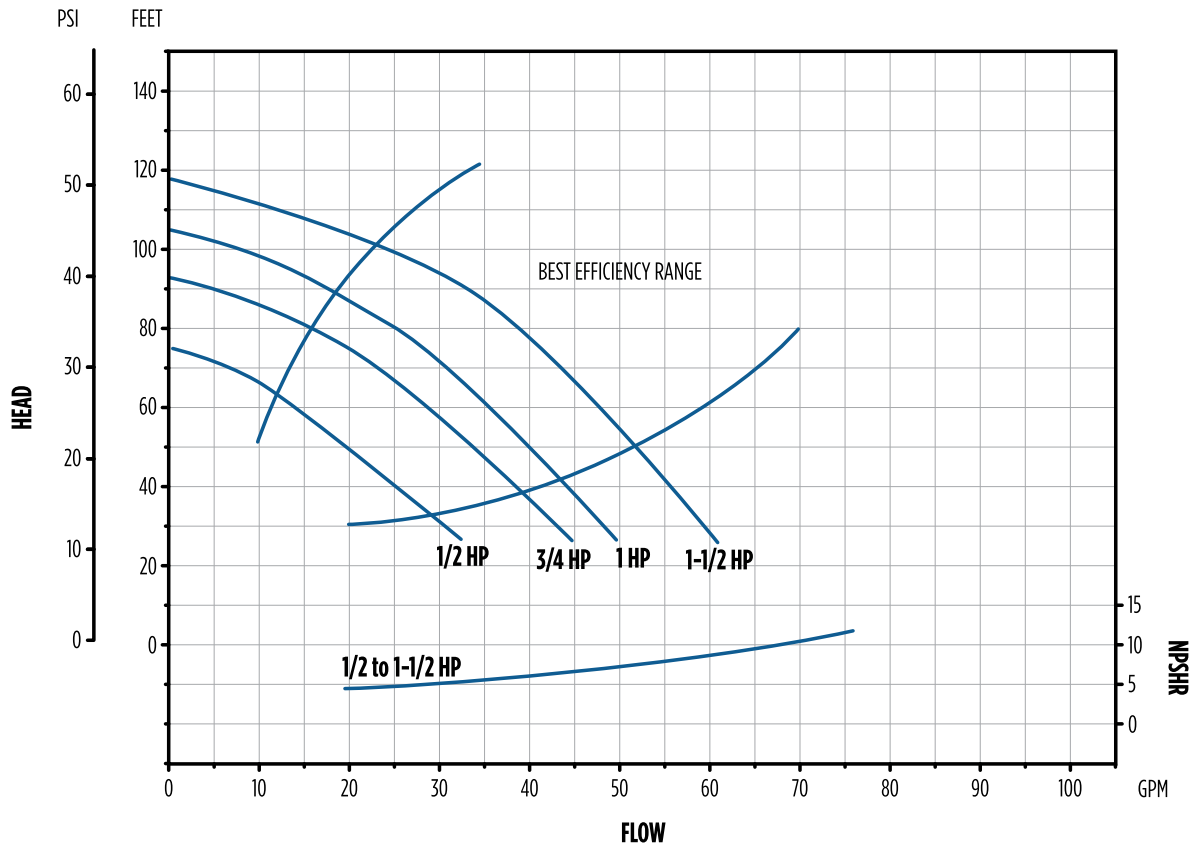
### DIMENSIONS

Model	HP	A	B	C	D	E	F	G	H
5FPDDSI-S	1/2	14.69"	2.38"	5.31"	4.44"	3.50"	4.63"	8.75"	5.50"
5FPDDSI-T									
7FPDDSI-S	3/4								
7FPDDSI-T									
1FPDDSI-S	1								
1FPDDSI-T									
15FPDDSI-S	1-1/2								
15FPDDSI-T									



# STAINLESS STEEL CENTRIFUGAL PUMPS - DDS SERIES

## PERFORMANCE



Model	HP	Total Head (ft)											Shut-off Head (ft)	
		30	35	40	45	50	60	70	80	90	100	110		
		Capacities (GPM)												
5FPDDSI-S	1/2	30.0	27.0	25.0	22.0	19.0	14.0	-	-	-	-	-	-	74
5FPDDSI-T														
7FPDDSI-S	3/4	-	41.0	38.0	36.0	34.0	29.0	23.0	16.0	-	-	-	93	
7FPDDSI-T														
1FPDDSI-S	1	-	-	-	42.0	40.0	36.0	31.0	25.0	18.0	-	-	105	
1FPDDSI-T														
15FPDDSI-S	1-1/2	-	-	-	-	52.0	47.0	44.0	39.0	34.0	25.0	-	118	
15FPDDSI-T														

## CAST IRON CENTRIFUGAL PUMPS - FCE SERIES

### FEATURES

- Cast iron volute and seal plate
- Volute can be rotated in 90degree increments for ease of installation
- Modified PPO impeller with stainless steel hub for optimum efficiency and performance
- Phenolic/Ceramic mechanical shaft seal with nitrile elastomers and 18-8SS components
- Powered by high quality, industry proven, UL778 approved, indoor/outdoor square-flange motors; 2-compartment design for ease of service
- Back pull-out design; access to pump parts without disturbing the plumbing
- Phenolic/Ceramic mechanical shaft seal with nitrile elastomers and 18-8SS components
- Can be mounted in a vertical or horizontal position.
- Maximum fluid temperature of 160 °F/71 °C; maximum working pressure 75 psi



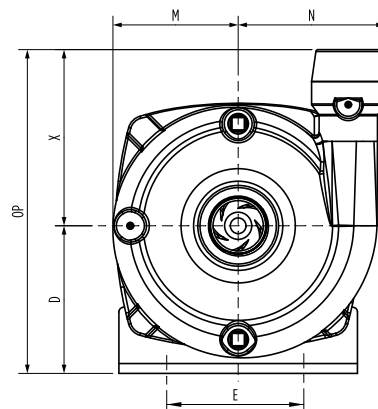
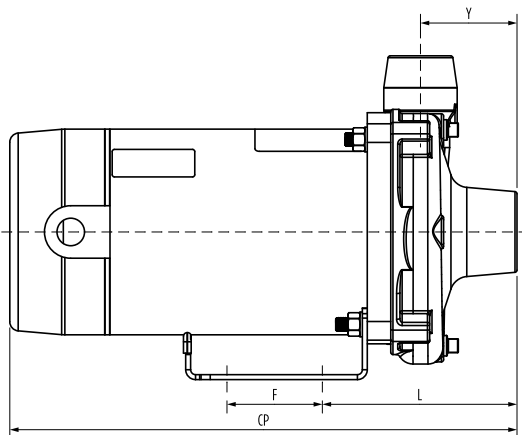
### ORDERING INFORMATION

HP	Dis. x Suc. (FNPT)	Single-Phase					Three-Phase				
		Model	Voltage	S.F.A.	Order No.	Wt. (lbs)	Model No.	Voltage	S.F.A.	Order No.	Wt. (lbs)
1/2	1" x 1-1/4"	FCE05CI	115/230	12.4/6.2	90200005	31	FCE05CI-T	208-230/460	3/1.5	90203005	29
3/4	1" x 1-1/4"	FCE07CI	115/230	14.8/7.4	90200007	32	FCE07CI-T		3.6/1.8	90203007	31
1	1" x 1-1/4"	FCE1CI	115/230	19.2/9.6	90200010	37	FCE1CI-T		4.7/2.35	90203010	34
1-1/2	1" x 1-1/4"	FCE15CI	115/230	24.0/12.0	90200015	42	FCE15CI-T		6.8/3.4	90203015	39
2	1-1/2" x 1-1/4"	FCE2CI	230	11.2	90200020	46	FCE2CI-T		8.5/4.25	90203020	42

### DIMENSIONS

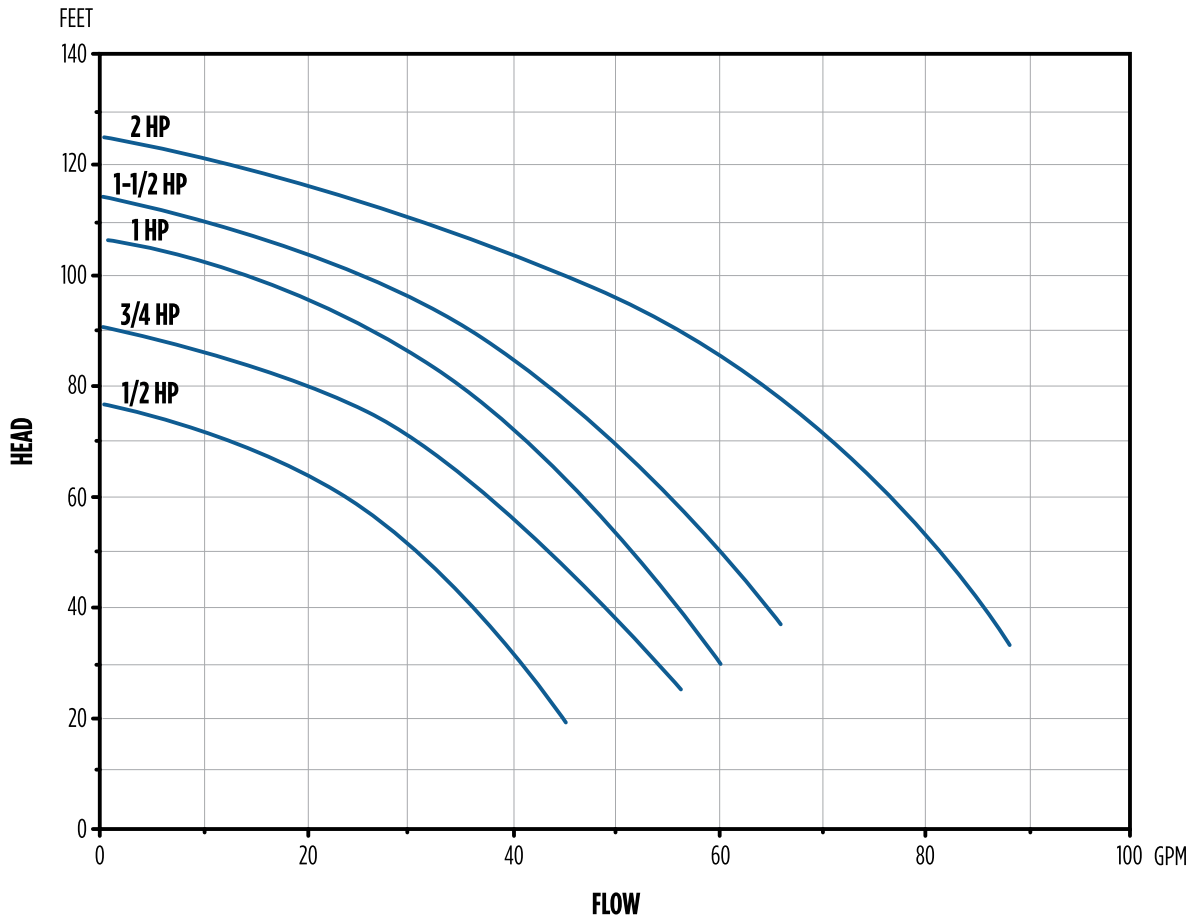
Model	HP	CP	D	E	F	L	M	N	OP	X	Y
FCE05CI FCE05CI-T	1/2	13.75	4.00	4.88	3.00	5.53	3.69	4.00	8.90	4.90	2.63
FCE07CI FCE07CI-T	3/4	14.07	4.00	4.88	3.00	5.53	3.69	4.00	8.90	4.90	2.63
FCE1CI FCE1CI-T	1	15.57	4.00	4.88	3.00	5.53	3.69	4.00	8.90	4.90	2.63
FCE15CI FCE15CI-T	1-1/2	15.90	4.00	4.88	3.00	5.53	3.69	4.00	8.90	4.90	2.63
FCE2CI FCE2CI-T	2	15.82	4.46	4.88	3.00	5.88	4.12	4.72	10.78	6.31	2.88

NOTE: Dimensions are for estimating purposes only



## CAST IRON CENTRIFUGAL PUMPS - FCE SERIES

### PERFORMANCE



Model	HP	Total Head (ft)						Shut-off Head (ft)
		30	40	50	70	90	110	
FCE05CI / FCE05CI-T	1/2	42	35	31	12	-	-	76
FCE07CI / FCE07CI-T	3/4	54	48	43	31	2	-	90
FCE1CI / FCE1CI-T	1	60	56	52	42	26	-	106
FCE15CI / FCE15CI-T	1-1/2	-	65	60	49	35	10	113
FCE2CI / FCE2CI-T	2	-	86	82	71	56	31	124

## NON-CORROSIVE TRANSFER PUMPS - S SERIES

### FEATURES

- Non-corrosive plastic construction and stainless steel for components in contact with liquid
- Motor shaft is completely insulated from any contact with pumping liquid
- Phenolic/Ceramic mechanical shaft seal with nitrile elastomers and 18-8SS components
- Patented, air-cooled heat sink allows pump to run dry or in loss-of-prime conditions without damage to the shaft seal
- Unconditional two-year warranty against seal failure
- Floating eye seal on the impeller maximizes pump efficiency for best flow and pressure
- Accepts a standard 1-1/2" union (ordered separately) or a male 1-1/2" pipe thread
- UL and CSA agency listing applies to clean water applications only



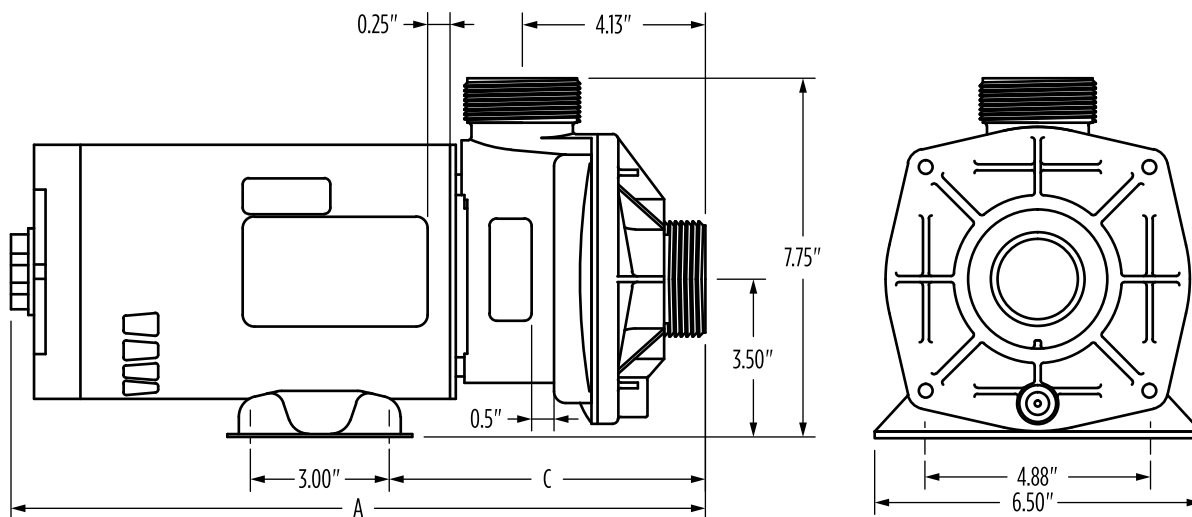
### ORDERING INFORMATION

Model	HP	Dis. x Suc. (MNPT)	Voltage	S.F.A.	Order No.	Wt. (lbs)
S7KM	3/4	1-1/2" x 1-1/2"	115	9.8	94028263	22
S1KM	1		115	9.8	94028271	24
S15KM	1-1/2		115	12.4	94028289	26
S2M	2		115/230	16/8	94028297	35
Fittings kit contains (2) 1-1/2" slip x threaded connection union halves					31175608	1

NOTE: Set of union halves must be purchased separately

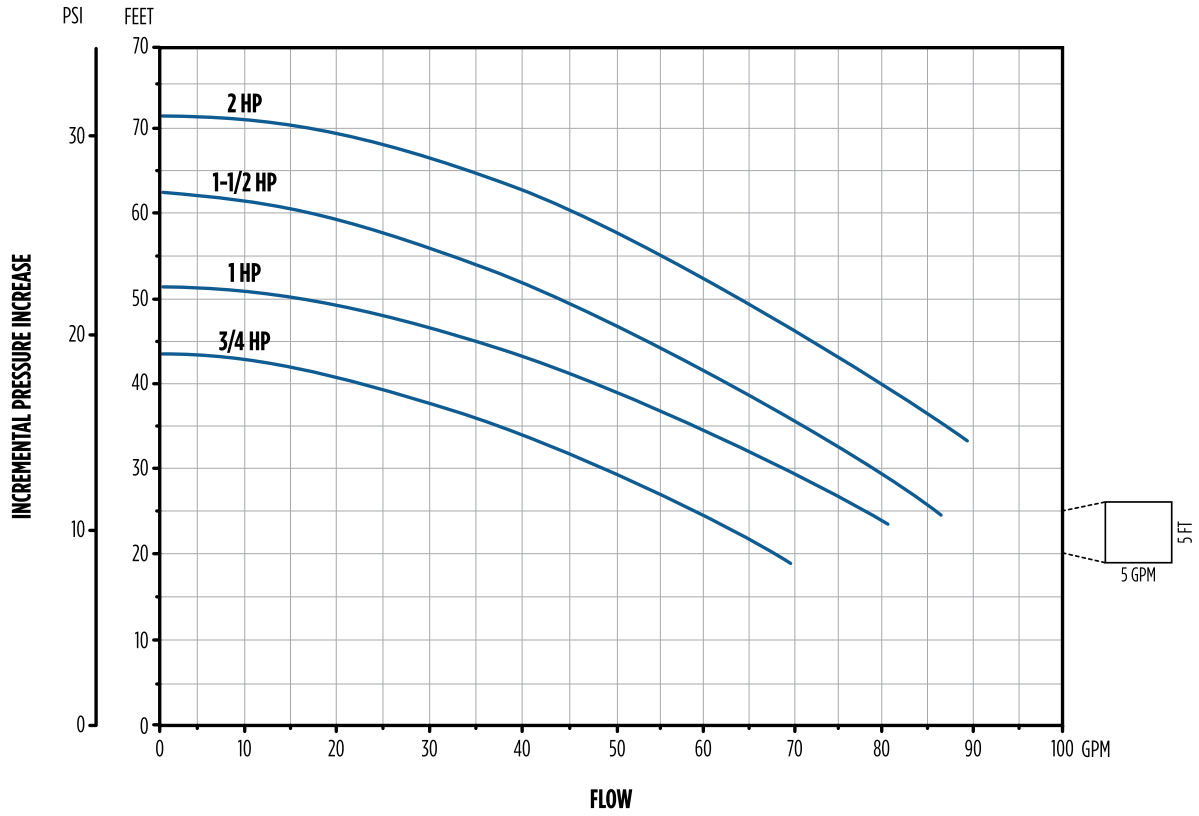
### DIMENSIONS

Model	HP	A	C
S7KM	3/4	14.19"	7.19"
S1KM	1	14.19"	7.19"
S15KM	1-1/2	15.13"	7.69"
S2M	2	15.13"	7.13"



# NON-CORROSIVE TRANSFER PUMPS - S SERIES

## PERFORMANCE



Model	HP	Total Head (ft)						Shut-off Head (ft)
		20	30	40	50	60	70	
S7KM	3/4	68.0	48.0	21.0	-	-	-	43
S1KM	1	-	69.0	47.0	16.0	-	-	51
S15KM	1-1/2	-	79.0	62.0	42.0	66.0	-	62
S2M	2	-	-	80.0	62.0	45.0	17.0	72

## NON-CORROSIVE TRANSFER PUMPS - A SERIES

### FEATURES

- High-tech, non-corrosive plastic construction and stainless steel for components in contact with liquid
- Motor shaft is completely insulated from any contact with pumping liquid
- Phenolic/Ceramic mechanical shaft seal with nitrile elastomers and 18-8SS components
- Standard 2" union connections (ordered separately) ensure easy service and optimum water flow
- Three-way volute discharge port rotates at 90° increments without removing motor
- Lightweight design



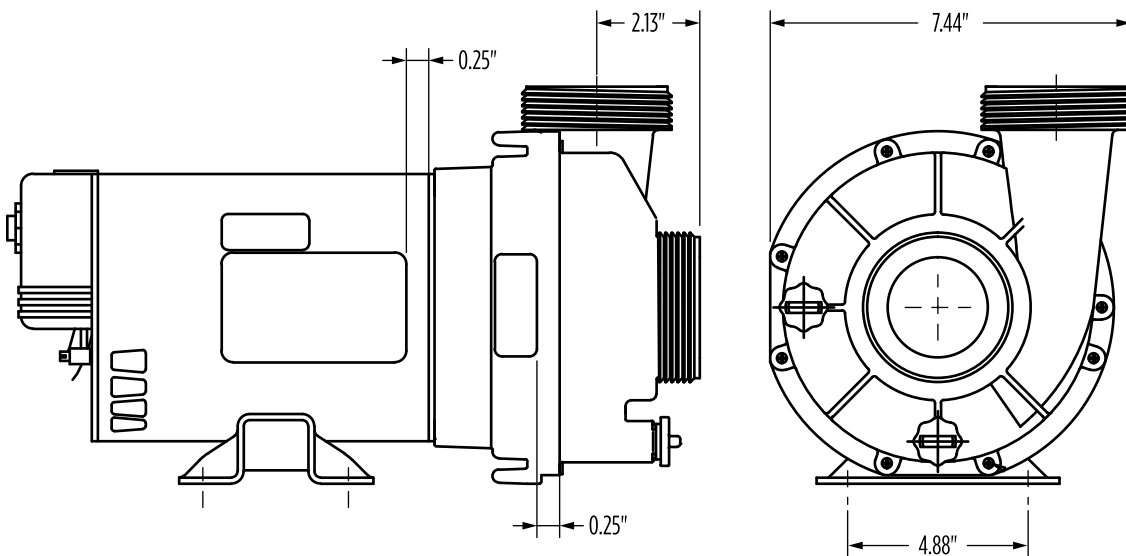
### ORDERING INFORMATION

Model	HP	Dis. x Suc. (MBPT)	Voltage	S.F.A.	Order No.	Wt. (lbs)
S2A	2	2" x 2"	115/230	16/8	94216151	27
S3A	3		230	10	94216191	29
S35A	3-1/2		230	8.5	94216201	31
S4A	4		230	10	94216301	35
S45A	4-1/2		230	12	94216401	39
Fittings kit contains (2) 2" slip x threaded connection union halves					31150109	2

NOTE: Set of union halves must be purchased separately.

### DIMENSIONS

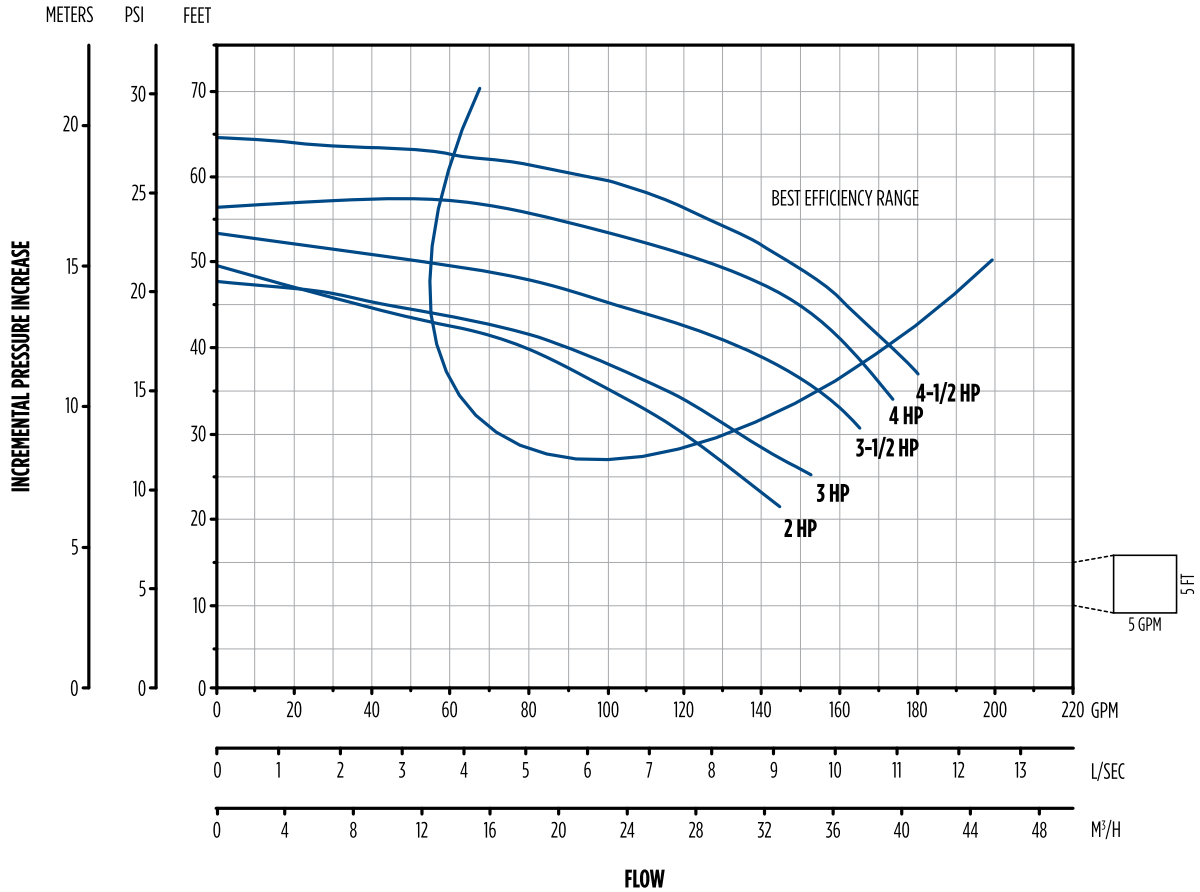
Model	HP	A	D	E
S2A	2	15.19"	3.38"	7.94"
S3A	3	16.44"	3.38"	8.06"
S35A	3-1/2	16.31"	3.50"	8.06"
S4A	4	16.81"	3.50"	8.06"
S45A	4-1/2	17.50"	3.50"	8.06"





# NON-CORROSIVE TRANSFER PUMPS - A SERIES

## PERFORMANCE



Model	HP	Total Head (ft)					Shut-off Head (ft)
		20	30	40	50	60	
		Capacities (GPM)					
S2A	2	148.0	119.0	78.0	-	-	49
S3A	3	172.0	132.0	89.0	-	-	47
S35A	3-1/2	-	166.0	123.0	48.0	-	53
S4A	4	-	180.0	162.0	120.0	-	56
S45A	4-1/2	-	-	172.0	143.0	98.0	64

## NON-CORROSIVE TRANSFER PUMPS - JCM SERIES

### FEATURES

- High-tech, non-corrosive plastic construction and stainless steel for components in contact with liquid
- Patented, air-cooled heat sink allows pump to run dry or in loss-of-prime conditions without damage to the shaft seal
- Floating eye seal between the closed impeller and the pump case maximizes pump efficiency for best flow and pressure
- Phenolic/Ceramic mechanical shaft seal with nitrile elastomers and 18-8SS components
- Accepts a standard 1-1/2" union (ordered separately)
- UL and CSA agency listings apply to clean water applications only



### ORDERING INFORMATION

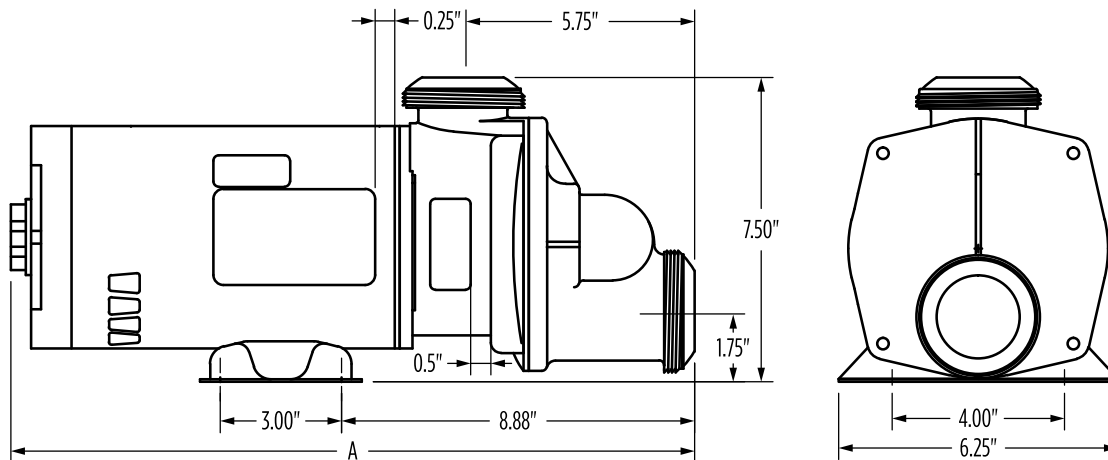
Model	HP	Dis. x Suc. (MNPT)	Voltage	S.F.A.	Order No.	Wt. (lbs)	
S7JCM	3/4	1-1/2" x 1-1/2"	115	9.8	94215696	22	
S1JCM	1		115	9.8	94215704	24	
S15JCM	1-1/2		115	12.4	94216587	26	
S2JCM	2		115/230	16.8/8.4	94215522	35	
S7JCM-A3*	3/4		115	10.5	94216405	22	
S1JCM-A3*	1		115	10.5	94216421	24	
S15JCM-A3*	1-1/2		115	12.4	94216603	26	
S2JCM-A3*	2		115	16.0	94216447	35	
Set of (2) S15UNS Straight Union					31175608	1	

\* Built-in air switch and 3' cord with standard three-prong plug

### DIMENSIONS

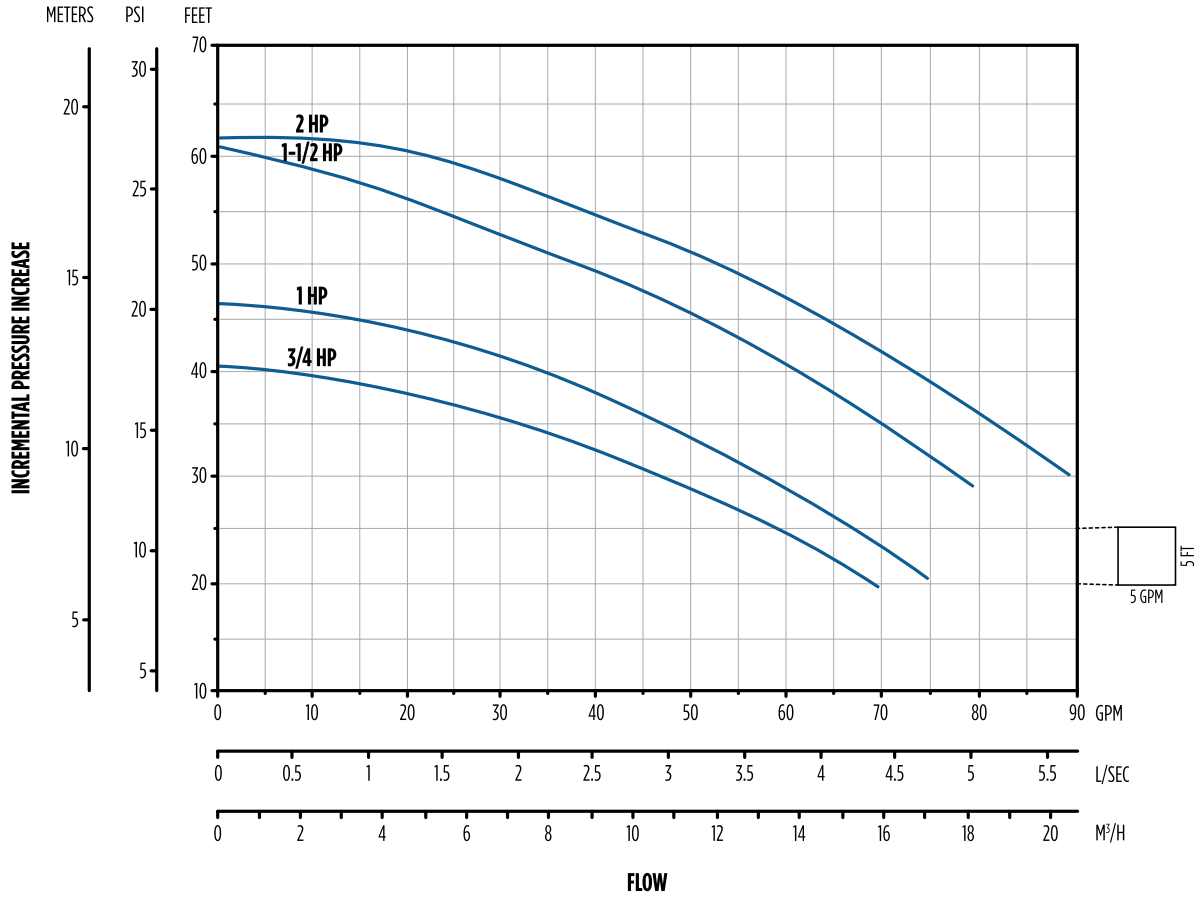
Model	HP	A
S7JCM / S7JCM-A3*	3/4	16.63"
S1JCM / S1JCM-A3*	1	16.63"
S15JCM / S15JCM-A3*	1-1/2	17.06"
S2JCM / S2JCM-A3*	2	17.06"

NOTE: Dimensions will vary according to motor manufacturer



## NON-CORROSIVE TRANSFER PUMPS - JCM SERIES

### PERFORMANCE



Model	HP	Total Head (ft)					Shut-off Head (ft)
		20	30	40	50	60	
S7JCM / S7JCM-A3*	3/4	70.0	47.0	6.0	-	-	40
SIJCM / SIJCM-A3*	1	-	57.0	34.0	-	-	46
SI5JCM / SI5JCM-A3*	1-1/2	-	78.0	61.0	38.0	4.0	61
S2JCM / S2JCM-A3*	2	-	89.0	73.0	53.0	22.0	62