

TRANSFER PUMPS

For times when transferring water is required, Franklin offers a wide variety of pumps that accomplish most any task. Whether circulating water or other liquids, Franklin’s transfer pumps have a range of horsepowers in single- and three-phase configurations to complete the job. Throughout the selection, the centrifugal pumps and motors are available for indoor and outdoor use with UL approvals.

PRODUCT FAMILY

- DDS Series
- FCE Series
- A Series
- S Series
- JCM Series

APPLICATIONS

- Pressure Boosting
- Water Transfer
- General Purpose
- Water Features
- Fountains
- General Dewatering
- Aquariums (A Series, S Series, JCM Series)



FAMILY COMPARISON CHART

| Model | Performance | 30 | 60 | 90 | 120 | 150 | 180 | 210 |
|------------|--------------|-----|----|----|-----|-----|-----|-----|
| DDS Series | Shut-off PSI | 51 | | | | | | |
| | Max. GPM | 30 | | | | | | |
| FCE Series | Shut-off PSI | 54 | | | | | | |
| | Max. GPM | 120 | | | | | | |
| S Series | Shut-off PSI | 31 | | | | | | |
| | Max. GPM | 89 | | | | | | |
| A Series | Shut-off PSI | 29 | | | | | | |
| | Max. GPM | 200 | | | | | | |
| JCM Series | Shut-off PSI | 27 | | | | | | |
| | Max. GPM | 88 | | | | | | |

STAINLESS STEEL TRANSFER PUMPS - DDS SERIES

FEATURES

- Stainless steel construction on all models
- Back pull-out design provides access to internal parts without disturbing the plumbing
- Mechanical shaft seal ensures a leakproof fit and continuous water lubrication
- Maximum temperature of 140 °F/60 °C and a maximum working pressure of 50 psi
- Square-flange, open drip-proof motor for easy service and reliability
- Enclosed impeller design for increased efficiencies
- FKM mechanical shaft seal for added chemical resistance
- 304 stainless steel case and seal plate

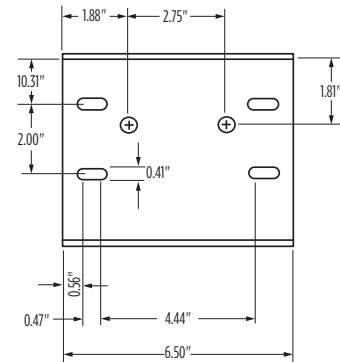
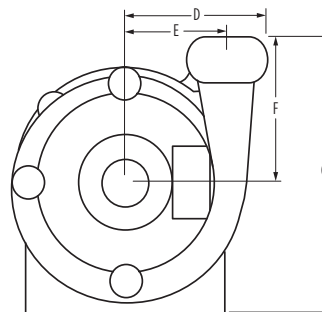
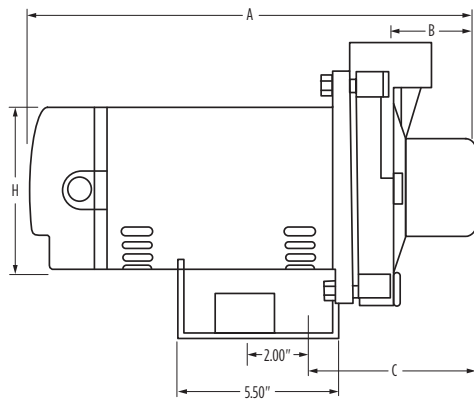


ORDERING INFORMATION

| HP | Dis. x Suc. (FNPT) | Single-Phase (115/230 V) | | | Three-Phase (208-230/460 V) | | | Pump End Kits | | |
|-------|-----------------------|--------------------------|-----------|-----------|-----------------------------|-----------|-----------|---------------|--------------|-----------|
| | | Model | Order No. | Wt. (lbs) | Model | Order No. | Wt. (lbs) | Model | Order No. | Wt. (lbs) |
| 1/2 | 1" x 1-1/4" | 5FPDDSI-S | 93178056 | 25 | 5FPDDSI-T | 93178098 | 25 | FPDDSI-K1 | 93174137R378 | 12 |
| 3/4 | | 7FPDDSI-S | 93178064 | 29 | 7FPDDSI-T | 93178106 | 29 | | | |
| 1 | | 1FPDDSI-S | 93178072 | 31 | 1FPDDSI-T | 93178114 | 31 | | | |
| 1-1/2 | | 15FPDDSI-S | 93178080 | 36 | 15FPDDSI-T | 93178122 | 36 | | | |

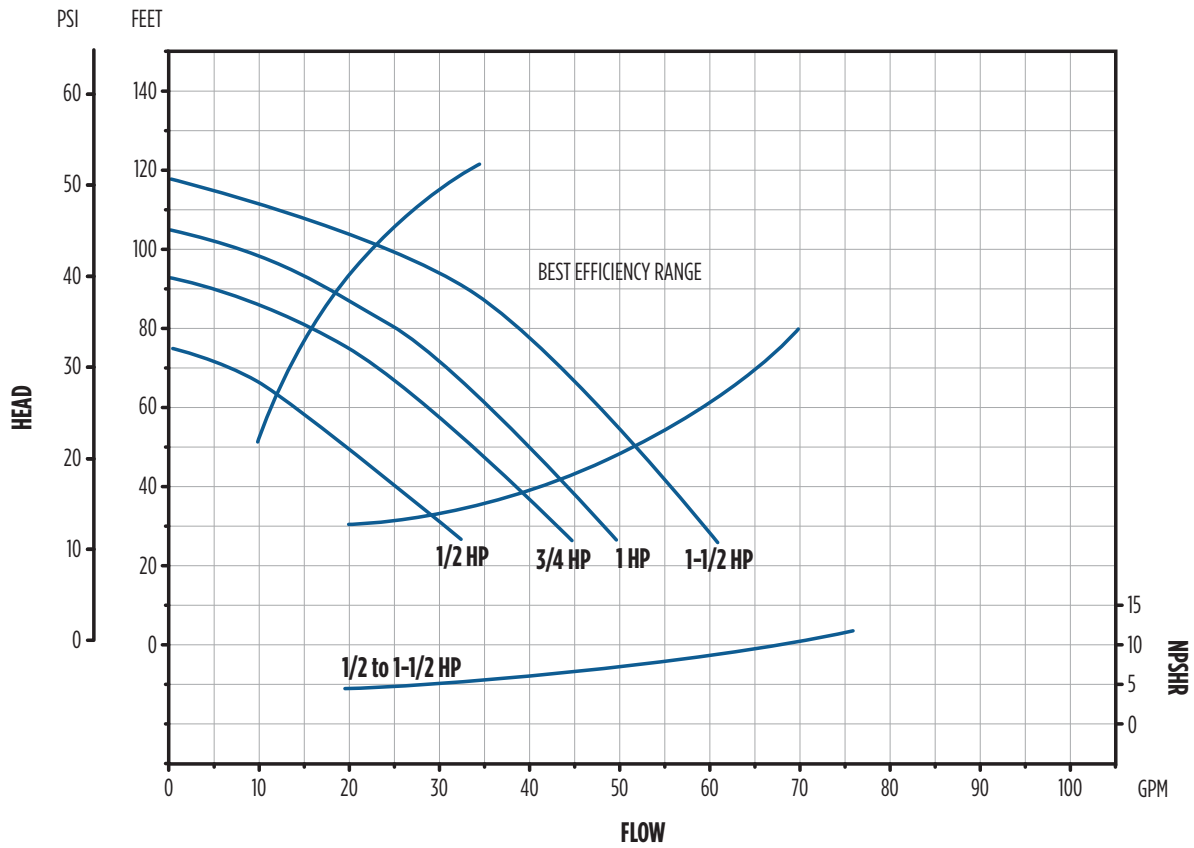
DIMENSIONS

| Model | HP | A | B | C | D | E | F | G | H |
|------------|-------|--------|-------|-------|-------|-------|-------|-------|-------|
| 5FPDDSI-S | 1/2 | 14.69" | 2.38" | 5.31" | 4.44" | 3.50" | 4.63" | 8.75" | 5.50" |
| 5FPDDSI-T | | | | | | | | | |
| 7FPDDSI-S | 3/4 | 14.69" | | | | | | | |
| 7FPDDSI-T | | | | | | | | | |
| 1FPDDSI-S | 1 | 14.69" | | | | | | | |
| 1FPDDSI-T | | | | | | | | | |
| 15FPDDSI-S | 1-1/2 | 15.19" | | | | | | | |
| 15FPDDSI-T | | | | | | | | | |



STAINLESS STEEL TRANSFER PUMPS - DDS SERIES

PERFORMANCE



| Model | HP | Total Head (ft) | | | | | | | | | | | Shut-off Head (ft) | |
|------------|-------|------------------|------|------|------|------|------|------|------|------|------|-----|--------------------|----|
| | | 30 | 35 | 40 | 45 | 50 | 60 | 70 | 80 | 90 | 100 | 110 | | |
| | | Capacities (GPM) | | | | | | | | | | | | |
| 5FPDDSI-S | 1/2 | 30.0 | 27.0 | 25.0 | 22.0 | 19.0 | 14.0 | - | - | - | - | - | - | 74 |
| 5FPDDSI-T | | | | | | | | | | | | | | |
| 7FPDDSI-S | 3/4 | - | 41.0 | 38.0 | 36.0 | 34.0 | 29.0 | 23.0 | 16.0 | - | - | - | 93 | |
| 7FPDDSI-T | | | | | | | | | | | | | | |
| 1FPDDSI-S | 1 | - | - | - | 42.0 | 40.0 | 36.0 | 31.0 | 25.0 | 18.0 | - | - | 105 | |
| 1FPDDSI-T | | | | | | | | | | | | | | |
| 15FPDDSI-S | 1-1/2 | - | - | - | - | 52.0 | 47.0 | 44.0 | 39.0 | 34.0 | 25.0 | - | 118 | |
| 15FPDDSI-T | | | | | | | | | | | | | | |

CAST IRON TRANSFER PUMPS - FCE SERIES

FEATURES

- Three-way, cast iron volute can be rotated for ease of installation
- Modified PPO impeller with stainless steel hub for efficiency and performance
- Powered by high quality, industry proven, UL778 approved, indoor/outdoor square-flange motors
- Built-in drain plug for easy winterizing and servicing
- Can be mounted in a vertical or horizontal position.
- Shut-off pressures up to 124 feet and flow capacities up to 120 gpm
- Handles water temperatures up to 160 °F/71 °C



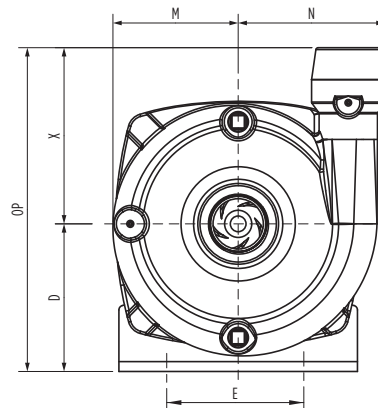
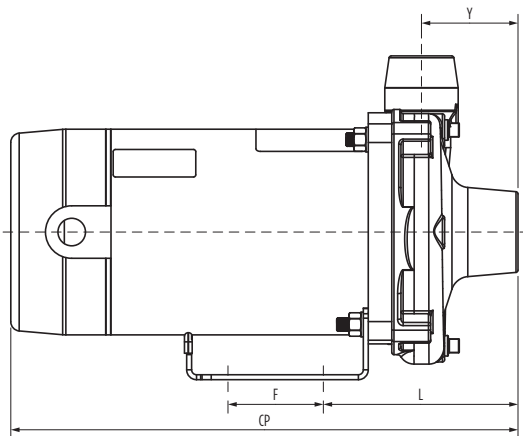
ORDERING INFORMATION

| HP | Dis. x Suc. (FNPT) | Single-Phase | | | | Three-Phase | | | | Pump Kits | | |
|-------|--------------------|--------------|---------|-----------|-----------|-------------|-------------|-----------|-----------|-----------|-----------|-----------|
| | | Model | Voltage | Order No. | Wt. (lbs) | Model No. | Voltage | Order No. | Wt. (lbs) | Model No. | Order No. | Wt. (lbs) |
| 1/2 | 1" x 1-1/4" | FCE05CI | 115/230 | 90200005 | 31 | FCE05CI-T | 208-230/460 | 90203005 | 29 | - | - | - |
| 3/4 | 1" x 1-1/4" | FCE07CI | 115/230 | 90200007 | 32 | FCE07CI-T | | 90203007 | 31 | CE07CI-PE | 90160007 | 14 |
| 1 | 1" x 1-1/4" | FCE1CI | 115/230 | 90200010 | 37 | FCE1CI-T | | 90203010 | 34 | - | - | 14 |
| 1-1/2 | 1" x 1-1/4" | FCE15CI | 115/230 | 90200015 | 42 | FCE15CI-T | | 90203015 | 39 | CE15CI-PE | 90160015 | 14 |
| 2 | 1-1/2" x 1-1/4" | FCE2CI | 230 | 90200020 | 46 | FCE2CI-T | | 90203020 | 42 | CE2CI-PE | 90160020 | 14 |

DIMENSIONS

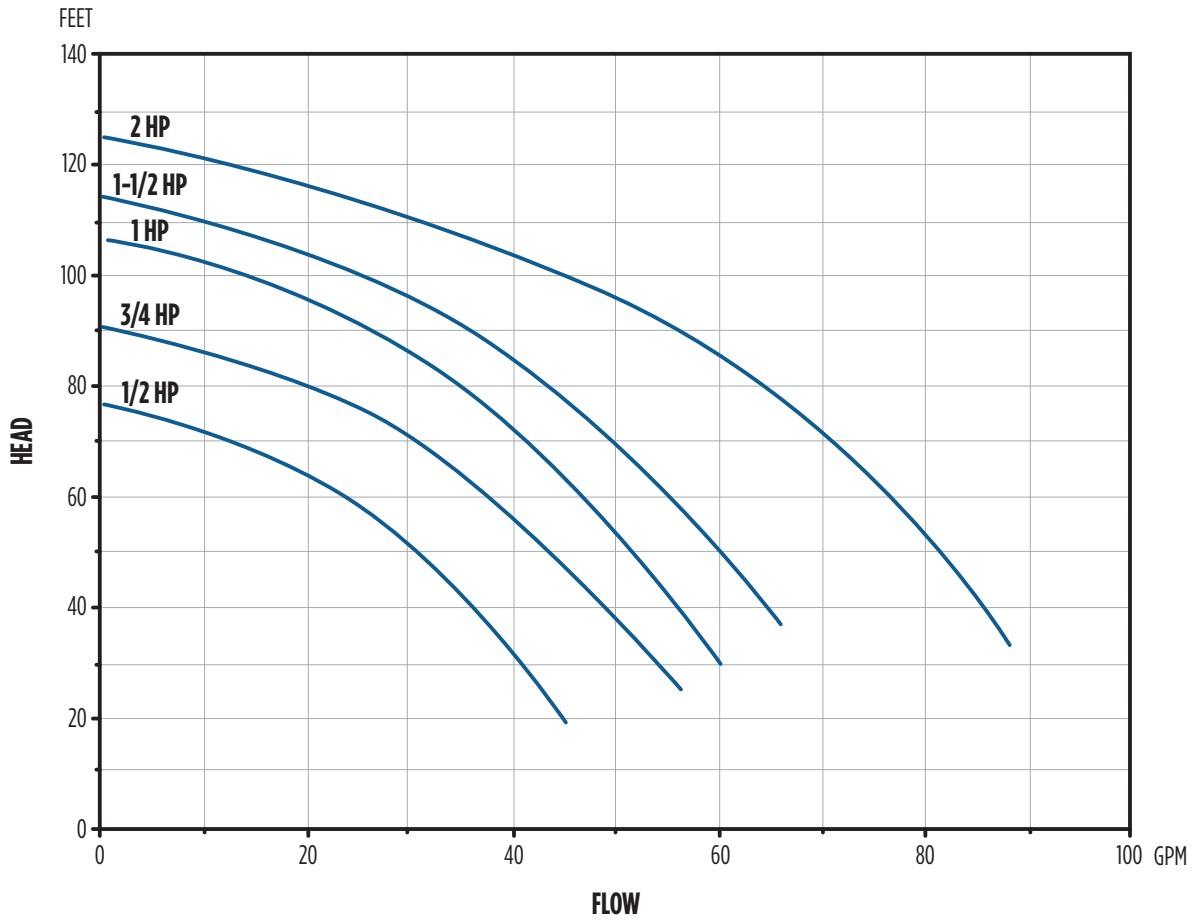
| Model | HP | CP | D | E | F | L | M | N | OP | X | Y |
|-----------|-------|-------|------|------|------|------|------|------|-------|------|------|
| FCE05CI | 1/2 | 13.75 | 4.00 | 4.88 | 3.00 | 5.53 | 3.69 | 4.00 | 8.90 | 4.90 | 2.63 |
| FCE05CI-T | | | | | | | | | | | |
| FCE07CI | 3/4 | 14.07 | 4.00 | 4.88 | 3.00 | 5.53 | 3.69 | 4.00 | 8.90 | 4.90 | 2.63 |
| FCE07CI-T | | | | | | | | | | | |
| FCE1CI | 1 | 15.57 | 4.00 | 4.88 | 3.00 | 5.53 | 3.69 | 4.00 | 8.90 | 4.90 | 2.63 |
| FCE1CI-T | | | | | | | | | | | |
| FCE15CI | 1-1/2 | 15.90 | 4.00 | 4.88 | 3.00 | 5.53 | 3.69 | 4.00 | 8.90 | 4.90 | 2.63 |
| FCE15CI-T | | | | | | | | | | | |
| FCE2CI | 2 | 15.82 | 4.46 | 4.88 | 3.00 | 5.88 | 4.12 | 4.72 | 10.78 | 6.31 | 2.88 |
| FCE2CI-T | | | | | | | | | | | |

NOTE: Dimensions are for estimating purposes only



CAST IRON TRANSFER PUMPS - FCE SERIES

PERFORMANCE



| Model | HP | Total Head (ft) | | | | | | Shut-off Head (ft) |
|---------------------|-------|------------------|----|----|----|----|-----|--------------------|
| | | 30 | 40 | 50 | 70 | 90 | 110 | |
| | | Capacities (GPM) | | | | | | |
| FCE05CI / FCE05CI-T | 1/2 | 42 | 35 | 31 | 12 | - | - | 76 |
| FCE07CI / FCE07CI-T | 3/4 | 54 | 48 | 43 | 31 | 2 | - | 90 |
| FCE1CI / FCE1CI-T | 1 | 60 | 56 | 52 | 42 | 26 | - | 106 |
| FCE15CI / FCE15CI-T | 1-1/2 | - | 65 | 60 | 49 | 35 | 10 | 113 |
| FCE2CI / FCE2CI-T | 2 | - | 86 | 82 | 71 | 56 | 31 | 124 |

NON-CORROSIVE TRANSFER PUMPS - S SERIES

FEATURES

- Non-corrosive plastic construction and stainless steel for components in contact with liquid
- Motor shaft is completely insulated from any contact with pumping liquid
- Nitrile and stainless steel mechanical seal with ceramic/carbon faces
- Patented, air-cooled heat sink allows pump to run dry or in loss-of-prime conditions without damage to the shaft seal
- Unconditional two-year warranty against seal failure
- Floating eye seal on the impeller maximizes pump efficiency for best flow and pressure
- Accepts a standard 1-1/2" union (ordered separately) or a male 1-1/2" pipe thread
- UL and CSA agency listing applies to clean water applications only



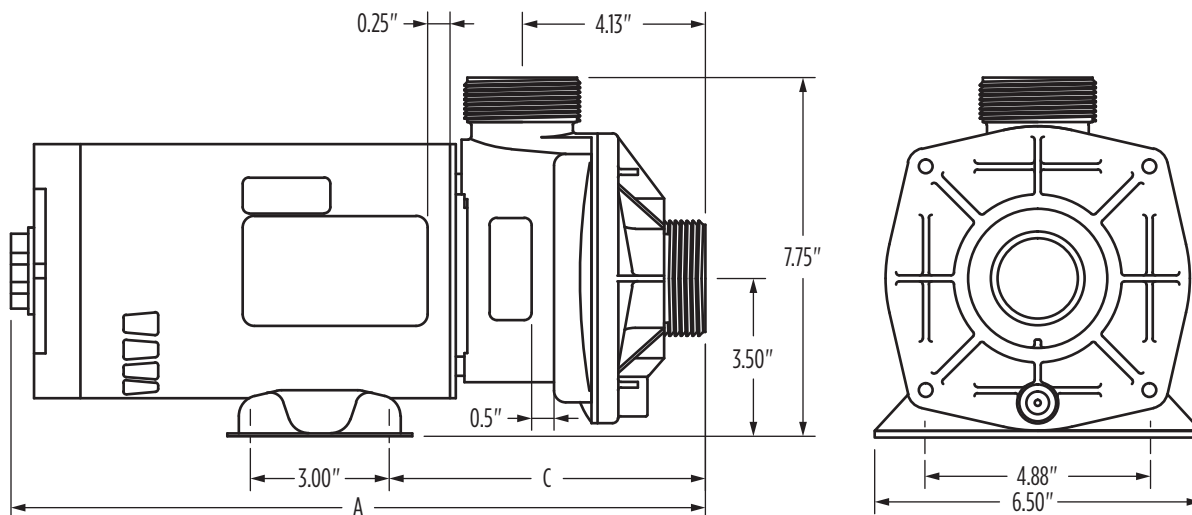
ORDERING INFORMATION

| Model | HP | Dis. x Suc. (MNPT) | Voltage | Order No. | Wt. (lbs) |
|--|-------|--------------------|---------|-----------|-----------|
| S7KM | 3/4 | 1-1/2" x 1-1/2" | 115 | 94028263 | 22 |
| S1KM | 1 | | 115 | 94028271 | 24 |
| S15KM | 1-1/2 | | 115 | 94028289 | 26 |
| S2M | 2 | | 115/230 | 94028297 | 35 |
| Fittings kit contains (2) 1-1/2" slip x threaded connection union halves | | | | 31175608 | 1 |

NOTE: Set of union halves must be purchased separately

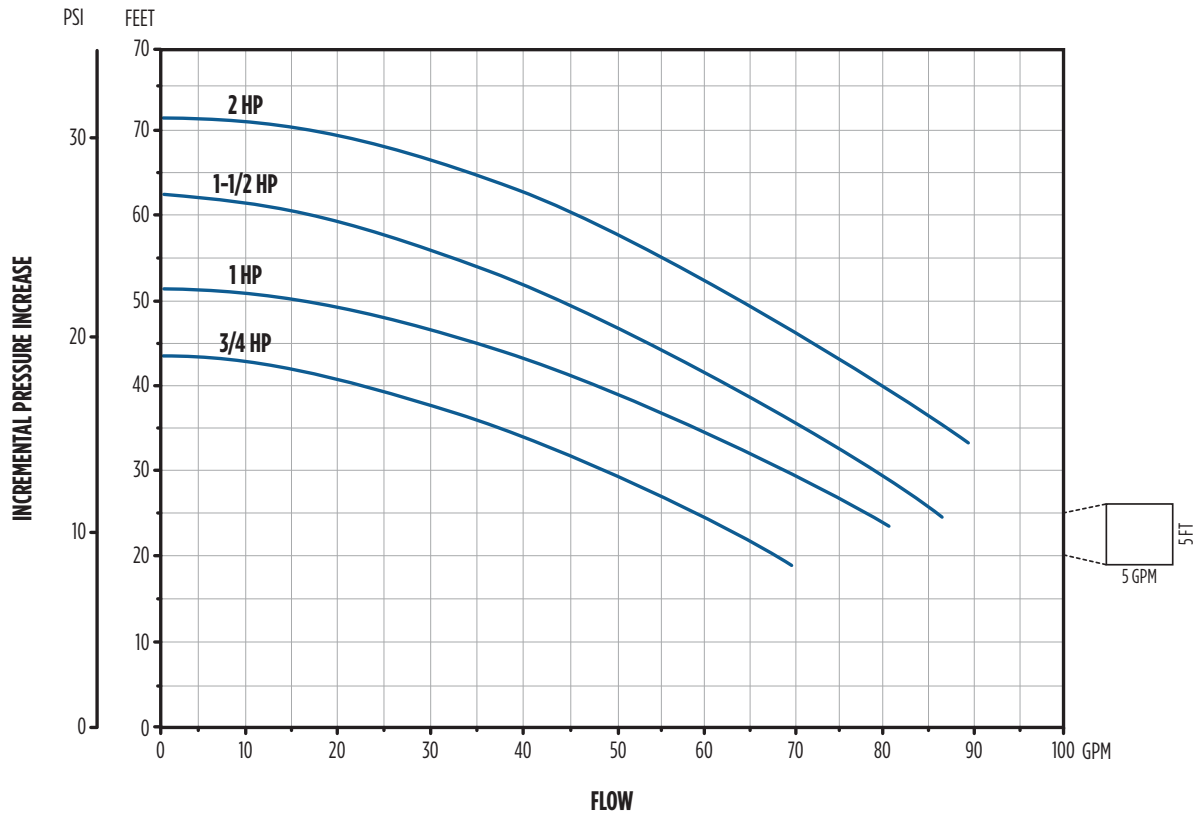
DIMENSIONS

| Model | HP | A | C |
|-------|-------|--------|-------|
| S7KM | 3/4 | 14.19" | 7.19" |
| S1KM | 1 | 14.19" | 7.19" |
| S15KM | 1-1/2 | 15.13" | 7.69" |
| S2M | 2 | 15.13" | 7.13" |



NON-CORROSIVE TRANSFER PUMPS - S SERIES

PERFORMANCE



| Model | HP | Total Head (ft) | | | | | | Shut-off Head (ft) |
|-------|-------|------------------|------|------|------|------|------|--------------------|
| | | 20 | 30 | 40 | 50 | 60 | 70 | |
| | | Capacities (GPM) | | | | | | |
| S7KM | 3/4 | 68.0 | 48.0 | 21.0 | - | - | - | 43 |
| S1KM | 1 | - | 69.0 | 47.0 | 16.0 | - | - | 51 |
| S15KM | 1-1/2 | - | 79.0 | 62.0 | 42.0 | 66.0 | - | 62 |
| S2M | 2 | - | - | 80.0 | 62.0 | 45.0 | 17.0 | 72 |

NON-CORROSIVE TRANSFER PUMPS - A SERIES

FEATURES

- High-tech, non-corrosive plastic construction and stainless steel for components in contact with liquid
- Motor shaft is completely insulated from any contact with pumping liquid
- Standard 2" union connections (ordered separately) ensure easy service and optimum water flow
- Three-way volute discharge port rotates at 90° increments without removing motor
- Lightweight design



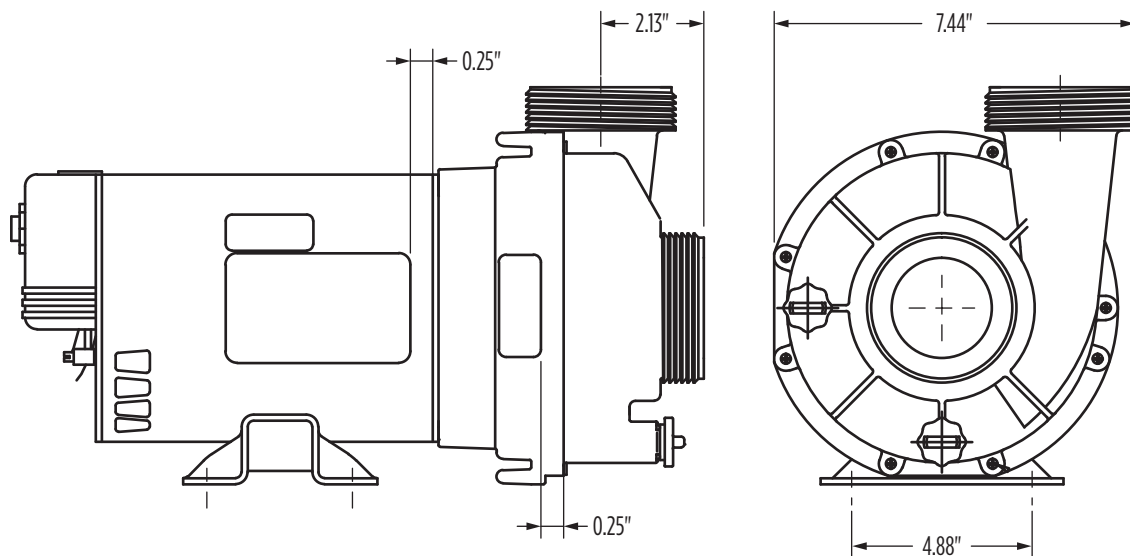
ORDERING INFORMATION

| Model | HP | Dis. x Suc. (MBPT) | Voltage | Order No. | Wt. (lbs) |
|--|-------|--------------------|---------|-----------|-----------|
| S2A | 2 | 2" x 2" | 115/230 | 94216151 | 27 |
| S3A | 3 | | 230 | 94216191 | 29 |
| S35A | 3-1/2 | | 230 | 94216201 | 31 |
| S4A | 4 | | 230 | 94216301 | 35 |
| S45A | 4-1/2 | | 230 | 94216401 | 39 |
| Fittings kit contains (2) 2" slip x threaded connection union halves | | | | 31150109 | 2 |

NOTE: Set of union halves must be purchased separately.

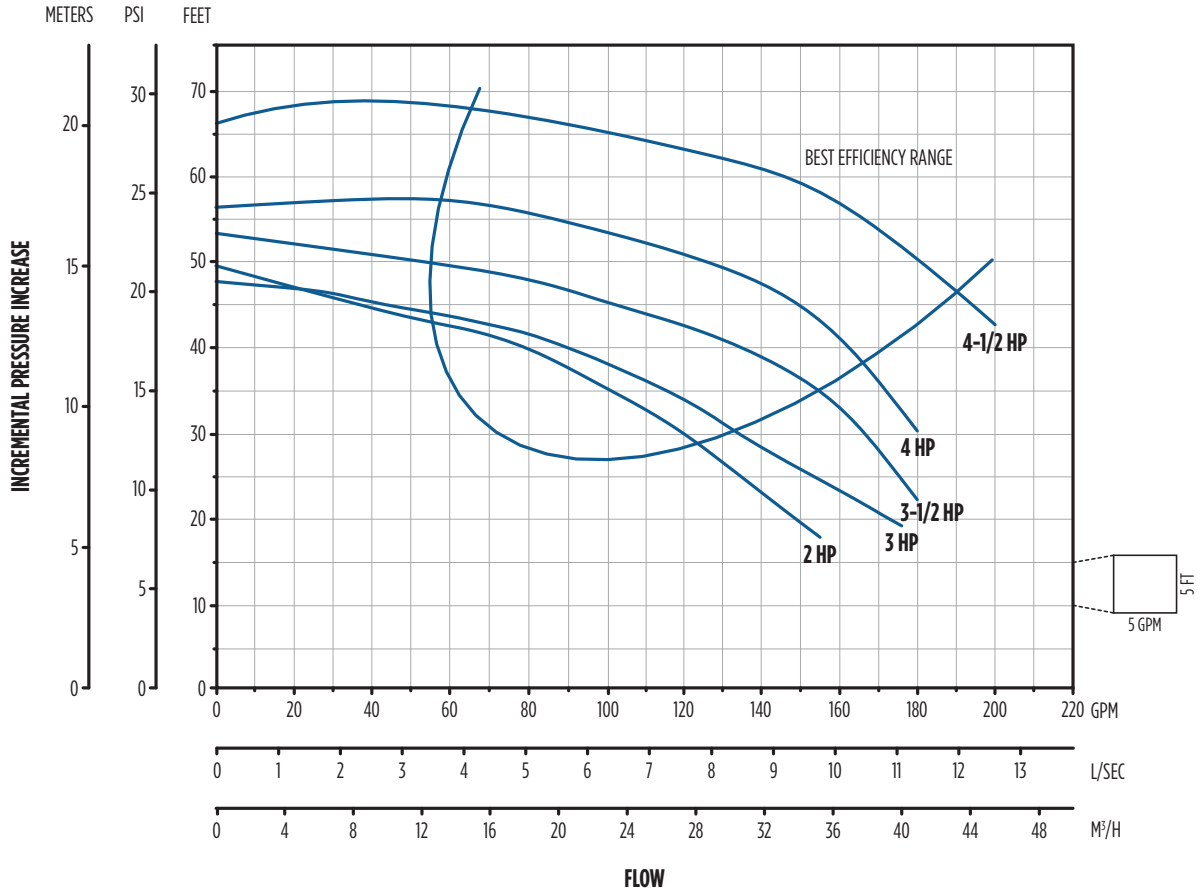
DIMENSIONS

| Model | HP | A | D | E |
|-------|-------|--------|-------|-------|
| S2A | 2 | 15.19" | 3.38" | 7.94" |
| S3A | 3 | 16.44" | 3.38" | 8.06" |
| S35A | 3-1/2 | 16.31" | 3.50" | 8.06" |
| S4A | 4 | 16.81" | 3.50" | 8.06" |
| S45A | 4-1/2 | 17.50" | 3.50" | 8.06" |



NON-CORROSIVE TRANSFER PUMPS - A SERIES

PERFORMANCE



| Model | HP | Total Head (ft) | | | | | Shut-off Head (ft) |
|------------------|-------|-----------------|-------|-------|-------|-------|--------------------|
| | | 20 | 30 | 40 | 50 | 60 | |
| Capacities (GPM) | | | | | | | |
| S2A | 2 | 148.0 | 119.0 | 78.0 | - | - | 49 |
| S3A | 3 | 172.0 | 132.0 | 89.0 | - | - | 47 |
| S35A | 3-1/2 | - | 166.0 | 123.0 | 48.0 | - | 53 |
| S4A | 4 | - | 180.0 | 162.0 | 120.0 | - | 56 |
| S45A | 4-1/2 | - | - | - | 180.0 | 144.0 | 66 |

NON-CORROSIVE TRANSFER PUMPS - JCM SERIES

FEATURES

- High-tech, non-corrosive plastic construction and stainless steel for components in contact with liquid
- Patented, air-cooled heat sink allows pump to run dry or in loss-of-prime conditions without damage to the shaft seal
- Floating eye seal between the closed impeller and the pump case maximizes pump efficiency for best flow and pressure
- Accepts a standard 1-1/2" union (ordered separately)
- UL and CSA agency listings apply to clean water applications only



ORDERING INFORMATION

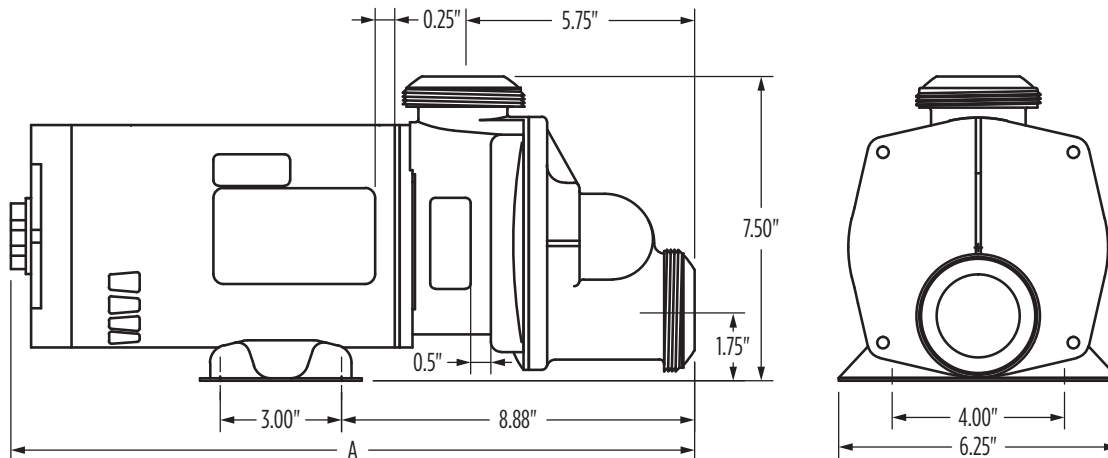
| Model | HP | Dis. x Suc. (MNPT) | Voltage | Full Load Amps | Order No. | Wt. (lbs) | |
|---------------------------|-------|--------------------|---------|----------------|-----------|-----------|--|
| S7JCM | 3/4 | 1-1/2" x 1-1/2" | 115 | 9.8 | 94215696 | 22 | |
| S1JCMt | 1 | | 115 | 9.8 | 94215704 | 24 | |
| S15JCM | 1-1/2 | | 115 | 12.4 | 94216587 | 26 | |
| S2JCM | 2 | | 115/230 | 16.8/8.4 | 94215522 | 35 | |
| S7JCM-A3* | 3/4 | | 115 | 10.5 | 94216405 | 22 | |
| S1JCM-A3* | 1 | | 115 | 10.5 | 94216421 | 24 | |
| S15JCM-A3* | 1-1/2 | | 115 | 12.4 | 94216603 | 26 | |
| S2JCM-A3* | 2 | | 115 | 16.0 | 94216447 | 35 | |
| (2) S15UNS Straight Union | | | | | 31175608 | 1 | |

* Built-in air switch and 3' cord with standard three-prong plug

DIMENSIONS

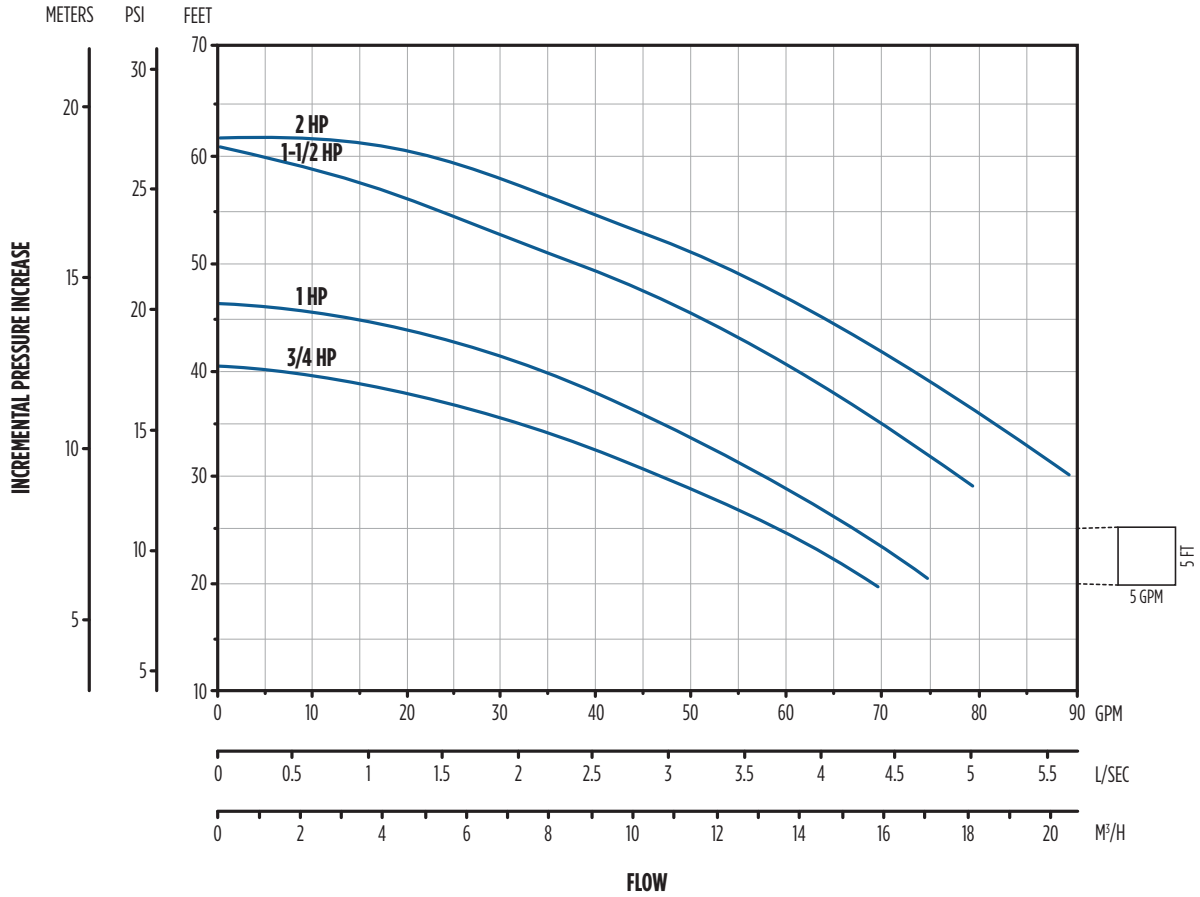
| Model | HP | A |
|---------------------|-------|--------|
| S7JCM / S7JCM-A3* | 3/4 | 16.63" |
| S1JCMt / S1JCM-A3* | 1 | 16.63" |
| S15JCM / S15JCM-A3* | 1-1/2 | 17.06" |
| S2JCM / S2JCM-A3* | 2 | 17.06" |

NOTE: Dimensions will vary according to motor manufacturer



NON-CORROSIVE TRANSFER PUMPS - JCM SERIES

PERFORMANCE



| Model | HP | Total Head (ft) | | | | | Shut-off Head (ft) |
|---------------------|-------|-----------------|------|------|------|------|--------------------|
| | | 20 | 30 | 40 | 50 | 60 | |
| S7JCM / S7JCM-A3* | 3/4 | 70.0 | 47.0 | 6.0 | - | - | 40 |
| S1JCMt / S1JCM-A3* | 1 | - | 57.0 | 34.0 | - | - | 46 |
| S15JCM / S15JCM-A3* | 1-1/2 | - | 78.0 | 61.0 | 38.0 | 4.0 | 61 |
| S2JCM / S2JCM-A3* | 2 | - | 89.0 | 73.0 | 53.0 | 22.0 | 62 |