



## 8" HI-TEMP 75C SUBMERSIBLE MOTORS

40 - 150 HP, THREE-PHASE 380 - 575 VOLTS 60 AND 50 HZ

### APPLICATIONS

Some pumping applications require more – and Franklin's Hi-Temp Motor line delivers just that – more. The Hi-Temp motor was designed and built in response to many requests for a motor that can operate dependably in wells with high temperatures and/or low flow conditions.

The Hi-Temp 75C 8" motor utilizes a new, premium encapsulation process and new water soluble coolant to allow continuous operation in water temperatures of up to 75 °C (provided minimum allowable rates of flow past the motor are maintained). In addition, this design is capable of handling thrust loads 25% higher than a standard motor without using oil.

Franklin's Hi-Temp 75C is the right choice for your demanding, high temperature well applications.

### FEATURES

- Up to 167 °F (75 °C) ambient temperature
- 25% increase in upthrust capability at 30 °C
- 25% increase in downthrust capability at 30 °C
- Wet Well, Reservoir, Low Flow approved in 14" diameter or larger wells with ambient water up to 87 °F (30 °C)
- High temperature leads
- Hermetically sealed stator
- Innovative high temperature winding encapsulation system
- FE water soluble, high temperature bearing lubrication
- Double-flange NEMA mounting for ease of handling and pump mounting
- Stainless steel splined shaft for maximum shaft/coupling contact
- Full 3525 RPM 60 Hz design point for superior pump performance
- SAND FIGHTER™ Sealing System
- Franklin Electric's exclusive Water-Bloc™ lead connection
- 316 SS, Y-Δ and non-vertical designs available - consult factory



**WARNING:** Serious or fatal electrical shock or fire hazard may result from failure to follow the instructions for proper installation and use which accompany this equipment. Do not use motor in swimming areas.

# 8" HI-TEMP 75C SUBMERSIBLE MOTORS

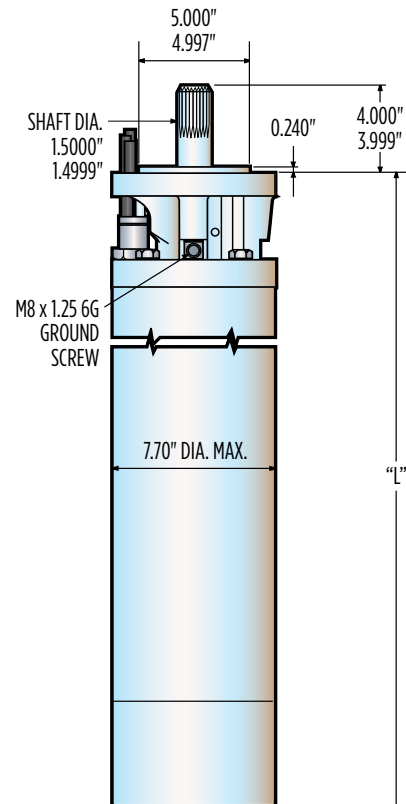
## AVAILABILITY

8-Inch Pump Flange (5" rabbet & 6" bolt circle)

HP	KW	"L" Dim		Shipping Weight	
		IN	CM	LBS	KG
40	030	44.8	113.8	400	182
50	037	49.8	126.5	455	207
60	045	57.3	145.5	555	252
75	055	68.8	174.8	700	318
100	075	77.8	197.6	840	382
125	093	85.8	217.9	925	421
150	110	94.8	240.8	1040	473

60 Hz - Nominal 3,525 rpm

50 Hz - Nominal 2,900 rpm



## CONSTRUCTION MATERIALS

Component	Standard Water Well	Corrosion Resistant (316 SS)
Castings	Gray Iron	316 SS
Stator Shell	304 SS	316 SS
Stator Ends	Low Carbon Steel	316 SS
Shaft Extensions	17-4 SS	17-4 SS
Fasteners	300 & 400 Series SS	316 SS
Seal Cover	304 SS & Sintered Bronze	316 SS
Seal	Sand Fighter™	Sand Fighter™
Diaphragm	Viton	Viton
Diaphragm Plate	304 SS	316 SS
Diaphragm Spring	302 SS	316 SS
Slinger	Viton	Viton
Lead Wire (or Cable)	XLPO	XLPO
Lead Potting	Epoxy	Epoxy
Pipe Plug	316 SS	316 SS
Thrust Bearing	Carbon	Carbon

Note: All dimensions shown in inches unless otherwise noted.

Specifications subject to change without notice. Contact Franklin Electric if current material types are required for bid specifications.