

# NON-SUBMERSIBLE PUMPS - CONVERTIBLE WELL JET PUMPS

## RM2 SERIES

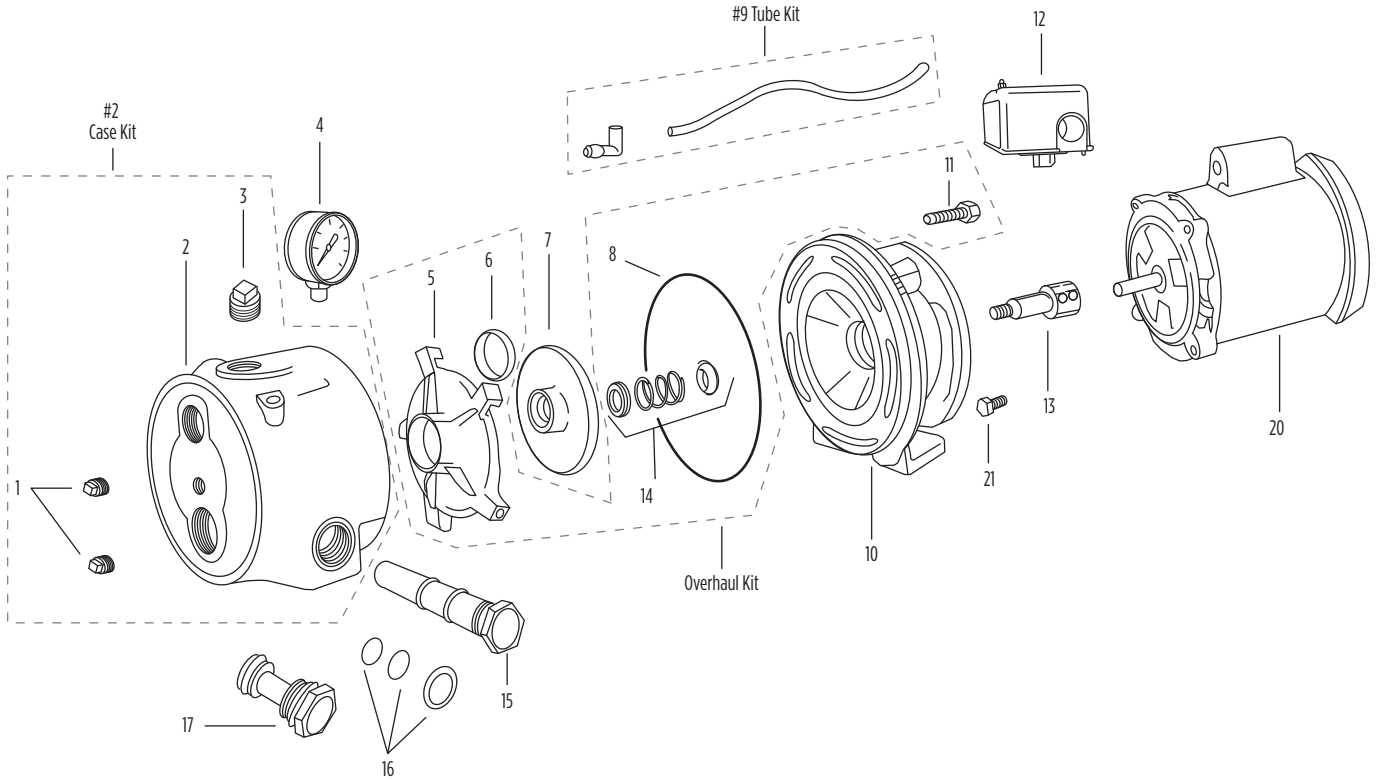


Figure No.	Part No.	Description
1	3100591106PK	Plug 1/4" (6 per kit)
2	03064201R000	Case #4974 w/Plugs and Wear Rings
3	31006307R000	Plug 1" NPT
4	91934018	Pressure Gauge 0-100 lbs
5	06010409R000	Diffuser #4165 for 1/2 hp
	06010805R000	Diffuser #4609 for 3/4 hp
	06010607R000	Diffuser #4163 for 1 hp
6	0808451906PK	Wear Ring Kit (6 per kit)
	24014508	Overhaul Kit for 1/2 hp
	24014607	Overhaul Kit for 3/4 hp
7***	24014904	Overhaul Kit for 1 hp
	305712911	Stainless Steel 1/2 hp Impeller Kit
	305712912	Stainless Steel 3/4 hp Impeller Kit
8	305712913	Stainless Steel 1 hp Impeller Kit
	4702625702PK	Square-Ring Kit (2 per kit)
	31002009R016	1/4" Copper Tube Kit 16-1/2" L w/Elbow
9	31119704K	1/4" Plastic Tube Kit 16-1/2" L w/Elbow
	02125508R000	Bracket Kit #4895 for 1/2 hp w/Fasteners #21
	02125607R000	Bracket Kit #4895 for 3/4 hp w/Fasteners #21
10	02127207R000	Bracket Kit #4895 for 1 hp w/Fasteners #21
	14443303K	*Fastener Kit
	12	PRSW3050
13****	305447022	Shaft Coupling 9/16" Threads w/Set Screws
	305463203	3/4" Shaft Seal
15	18127803R000	Shallow Well Injector #1024 for 1/2 hp
	18127902R000	Shallow Well Injector #1027 for 3/4 hp
	18128009R000	Shallow Well Injector #1028 for 1 hp
16	47012348R000	O-ring Kit for Injectors #15 and Plug #17
17	18129106R000	Deep Well Plug
20	Motor	See Motor Selection Page
Seal Kit	24012700	O-ring and Shaft Seal Kit (includes #14 and #16)

\* Fastener Kit #14443303-K includes five each 3/8-16 x 1-3/4" SS hex capscrews #12

\*\* Overhaul kits include #5, #6, #8, #11, #14

\*\*\* Impeller Kits #7 for models built prior to 07/96 with a new shaft coupling

\*\*\*\* #13 will be required if not already updated to accommodate 9/16" threaded Impellers.