

NON-SUBMERSIBLE PUMPS - SHALLOW WELL JET PUMPS

CY/CCY/SWJ SERIES

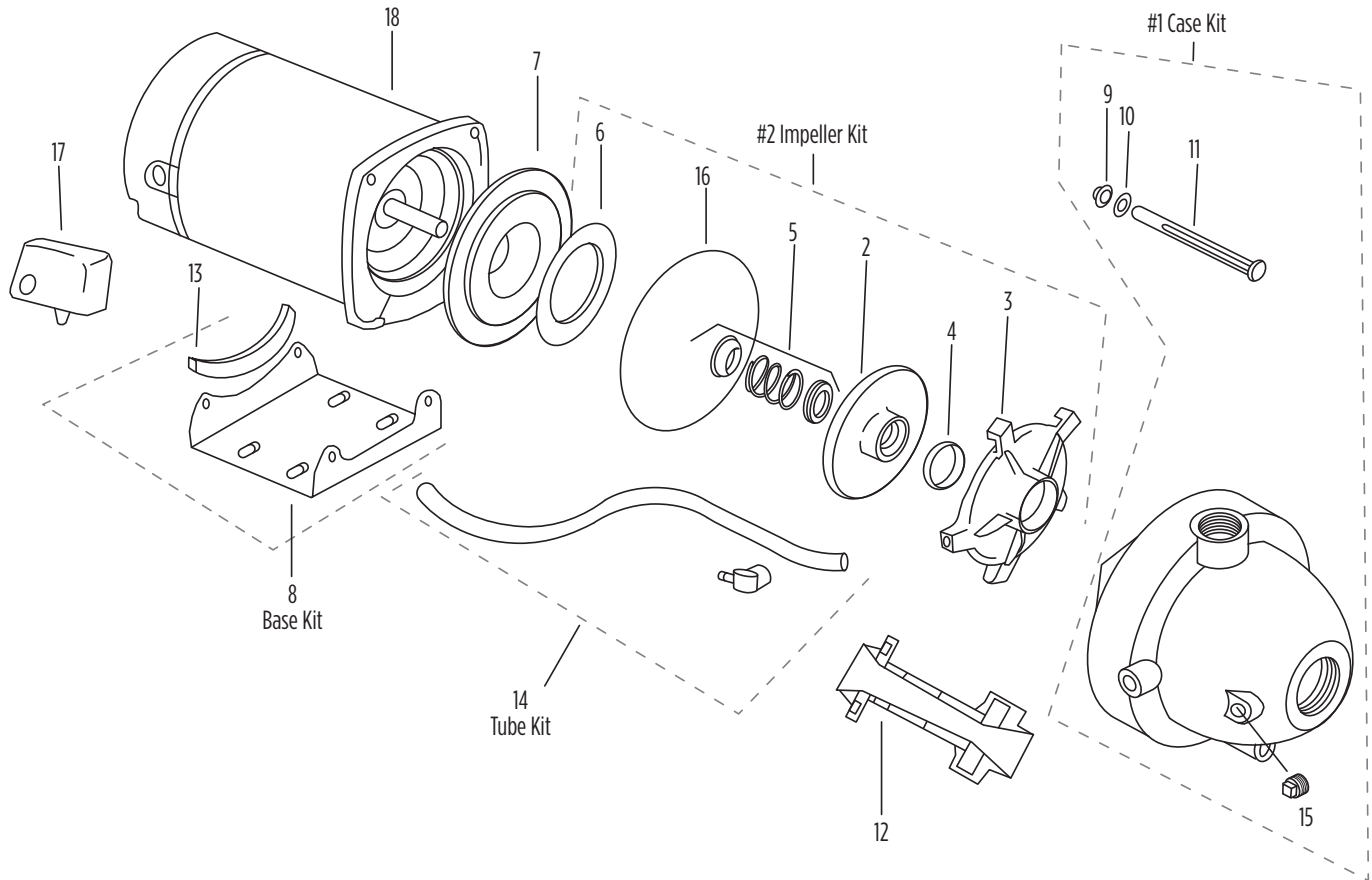


Fig. No.	Part No.	Description
1	03087300K	Case Kit "P" Plastic w/Fasteners & Plugs
	03089208K	Case Kit "C" Cast Iron w/Fasteners & Plugs
2*	05380037RKIT	Impeller Kit #2794 @ 4.36" D for S5CY - 5CCY
	05392204RKIT	Impeller Kit #2794 @ 4.47" D for 1/2 hp and S-3/4 hp Unity
	05392303RKIT	Impeller Kit #2794 @ 4.88" D for 3/4 hp and S-1 hp Unity
3	Diffuser	See #2 Impeller Kit
4	0808451906PK	Wear Ring Kit (6 ea. per kit)
5	10000206	Mechanical Seal 5/8" (also included in impeller kits)
6		See #2 Impeller Kit
7	11152105R	Seal Plate 6.165" Diameter
8	305373901	Base Assembly With Rubber Protector #13
9, 10, 11**	*14443204K	Fastener Kit (all models)
12	18044909R	Nozzle & Venturi Assembly for 1/2 hp and S-3/4 hp Unity
	18045005R	Nozzle & Venturi Assembly for 3/4 hp and S-1 hp Unity
13	Rubber Protector	See #8 Base Assembly
14	31119704K	Tube Kit 1/4" x 14-1/2" Poly-Black w/Barb Fittings #14
15	3100591106PK	Plug 1/4" Galvanized (available in 6 pack kit only)
16	4703614802PK	O-ring Kit 6" x 6-3/8" x 3/16" (2 per kit)
17	PRSW2040	Pressure Switch Set 20-40
18	Motor	See Motor Selection Page

* Impeller kits include impeller, diffuser, wear ring, mechanical seal, O-ring, disk #2, 3, 4, 5, 6, 16

** Fastener kits #14443204K include 4 ea. 3/8-16 x 2-3/4" hex capscrews #11, 4 ea. 3/8-16 hex nuts #9, 4 ea. 3/8" lock washers #10 ("P" models); 4 ea. 3/8-16 x 1.25" hex capscrews #11 ("C" models)