



MENU

## JET PUMPS - CONVERTIBLE PRO (RM2) SERIES

### FEATURES

- Heavy-duty cast iron case with 1-1/4" inlet and (3) 1" outlets
- Stainless steel impeller ensures optimum durability
- Thermoplastic diffuser is precision molded for optimum efficiency
- Each pump factor equipped with internal shallow well injector easily replaced with bypass plug for deep well operation
- Shaft coupling designed for easy removal of keyed shaft motor
- Carbon/ceramic faced mechanical shaft seal with nitrile elastomer ensures positive sealing at all pressures
- High service factor 56C-frame motor for maximum performance
- Adjustable pressure switch is factory installed and set at 30/50 psi
- Maximum temperature of 140 °F/60 °C; 150 PSI maximum working pressure



### ORDERING INFORMATION

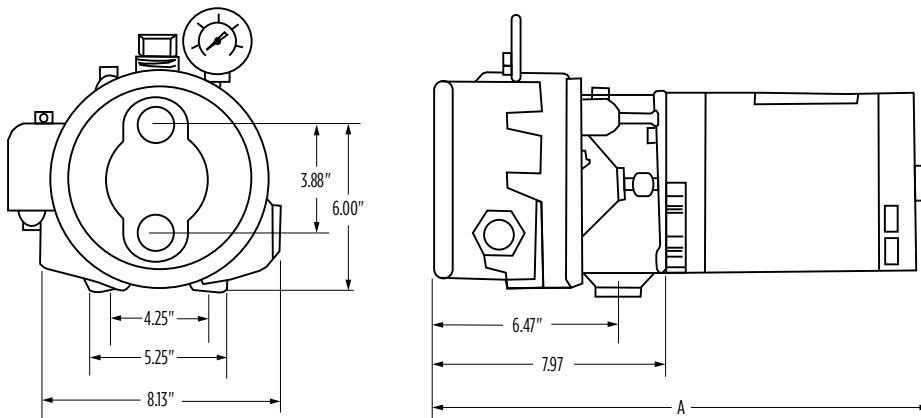
Model	HP	Phase	Voltage	S.F.A	Pump Unit		Deep-Well Injector		
					Order No.	Wt. (lbs)	Total Suction Lift (ft)	Order No.	Wt. (lbs)
FP05CI-C	1/2	1	115/230	11.8/5.9	91140005	48	30-60	147E1120	7
FP07CI-C	3/4			14.8/7.4	91140007	51	50-100	147E0915	
FP1CI-C	1			14.4/7.7	91140010	53	30-60	147E1023	
FP1CI-C	1	3	208-230/460	4.6/2.3	9112011	53	50-100	147E1118	
							30-60	147E1125	
							50-100	147E1120	

NOTES: Order deep-well injector separately; minimum inside well diameter requirement of 4" for deep-well injectors; parallel pipe injectors are required for deep well installations

### DIMENSIONS

Model	HP	A
FP05CI-C	1/2	18.65"
FP07CI-C	3/4	19.15"
FP1CI-C	1	19.65"

NOTE: Dimensions will vary according to motor manufacturer



## JET PUMPS - CONVERTIBLE PRO (RM2) SERIES

### SHALLOW-WELL PERFORMANCE

1" Dis. x 1-1/4" Suc.			Discharge Pressure (PSI)										Shut-off Pressure (PSI)	
Model	HP	Total Suction Lift (ft)	30	35	40	45	50	55	60	65	70	75		80
			Gallons Per Minute (GPM)											
FP05CI-C	1/2	5	12.5	9.8	7.1	4.7	2.5	-	-	-	-	-	-	56.8
		10	-	8.6	6.0	3.6	1.5	-	-	-	-	-	-	54.2
		15	-	7.4	4.8	2.5	0.5	-	-	-	-	-	-	51.6
		20	-	6.0	3.5	1.6	-	-	-	-	-	-	-	49.6
		25	-	4.5	2.2	0.6	-	-	-	-	-	-	-	47.5
FP07CI-C	3/4	5	-	15.1	12.9	9.5	6.2	3.1	-	-	-	-	-	60.3
		10	-	-	11.7	8.2	4.9	2.0	-	-	-	-	-	58.4
		15	-	-	10.4	6.8	3.6	-	-	-	-	-	-	56.4
		20	-	-	8.4	5.5	2.4	-	-	-	-	-	-	54.1
		25	-	-	-	4.1	1.2	-	-	-	-	-	-	51.8
FP1CI-C	1	5	-	-	-	16.8	14.0	11.1	8.1	5.0	1.8	-	-	73.0
		10	-	-	-	-	12.7	9.9	7.0	3.9	-	-	-	71.3
		15	-	-	-	-	11.4	8.7	5.9	2.8	-	-	-	69.5
		20	-	-	-	-	-	7.1	4.2	-	-	-	-	66.7
		25	-	-	-	-	-	5.5	2.5	-	-	-	-	63.8
FP1CI-C (High Head)	1	5	-	-	-	-	-	11.2	8.9	6.8	4.9	3.1	1.4	84.2
		10	-	-	-	-	-	10.0	7.9	5.9	4.0	2.2	-	81.6
		15	-	-	-	-	-	8.8	6.8	4.9	3.1	1.3	-	79.0
		20	-	-	-	-	-	-	5.5	3.9	2.1	0.7	-	76.0
		25	-	-	-	-	-	-	4.2	2.8	1	-	-	72.9

### DEEP-WELL PERFORMANCE

1" Dis. x 1-1/4" Suc. 1" Drive Pipe				Discharge Pressure (PSI)								Shut-off Pressure (PSI)	Inj. Min. Operating Pressure		
Model	HP	Injector Order No.	Total Suction Lift (ft)	30	35	40	45	50	55	60	65			70	
				Gallons Per Minute (GPM)											
FP05CI-C	1/2	147E1120	30	9.0	7.0	5.5	4.0	2.5	1.5	-	-	-	-	65	18
			40	7.5	6.0	4.0	3.0	1.5	-	-	-	-	-	59	
			50	6.0	4.5	3.0	2.0	1.0	-	-	-	-	-	56	
			60	5.0	3.5	2.0	1.0	-	-	-	-	-	-	52	
			70	4.0	3.0	1.5	0.5	-	-	-	-	-	-	48	
	147E0915	50	6.0	5.0	4.0	3.0	2.5	2.0	1.0	-	-	-	-	74	23
		60	5.0	4.0	3.5	2.5	2.0	1.0	-	-	-	-	-	70	
		70	4.0	3.5	2.5	2.0	1.5	-	-	-	-	-	-	65	
		80	3.5	3.0	2.0	1.5	1.0	-	-	-	-	-	-	61	
		90	3.0	2.0	1.5	1.0	-	-	-	-	-	-	-	57	
FP07CI-C	3/4	147E1023	30	15.5	13.5	11.0	8.5	6.5	4.0	2.0	-	-	-	66	18
			40	13.5	11.5	9.0	7.0	4.5	2.4	-	-	-	-	61	
			50	11.0	9.5	7.0	5.0	3.0	-	-	-	-	-	57	
			60	9.0	7.5	5.0	3.0	1.0	-	-	-	-	-	53	
			70	8.0	7.0	6.0	4.5	4.0	3.0	2.0	1.5	-	-	77	
	147E1118	70	6.5	5.5	4.5	3.5	3.0	2.0	1.0	-	-	-	-	72	23
		80	6.0	5.0	4.0	3.0	2.0	1.5	-	-	-	-	-	67	
		90	5.0	4.0	3.0	2.0	1.5	-	-	-	-	-	-	63	
		100	4.0	3.0	2.5	1.5	1.0	-	-	-	-	-	-	30	
		30	19.5	17.0	14.5	12.0	9.5	7.0	5.0	-	-	-	-	72	
40	17.5	15.0	12.5	10.0	7.5	5.0	3.0	-	-	-	-	67			
50	15.5	13.0	10.5	8.0	5.5	3.5	1.0	-	-	-	-	63			
60	13.0	10.5	8.5	6.0	3.5	1.5	-	-	-	-	-	59			
50	-	11.0	9.5	8.0	6.5	5.0	4.0	3.0	2.0	1.0	-	82	36		
60	-	10.0	8.0	7.0	5.5	4.0	3.0	2.0	1.0	-	-	78			
70	-	8.0	7.0	6.0	4.5	3.0	2.0	1.0	-	-	-	73			
80	-	7.0	6.0	4.5	3.5	2.0	1.5	-	-	-	-	70			
90	-	6.0	5.0	3.5	2.5	1.5	-	-	-	-	-	65			
100	-	5.0	4.0	3.0	2.0	1.5	-	-	-	-	-	61			