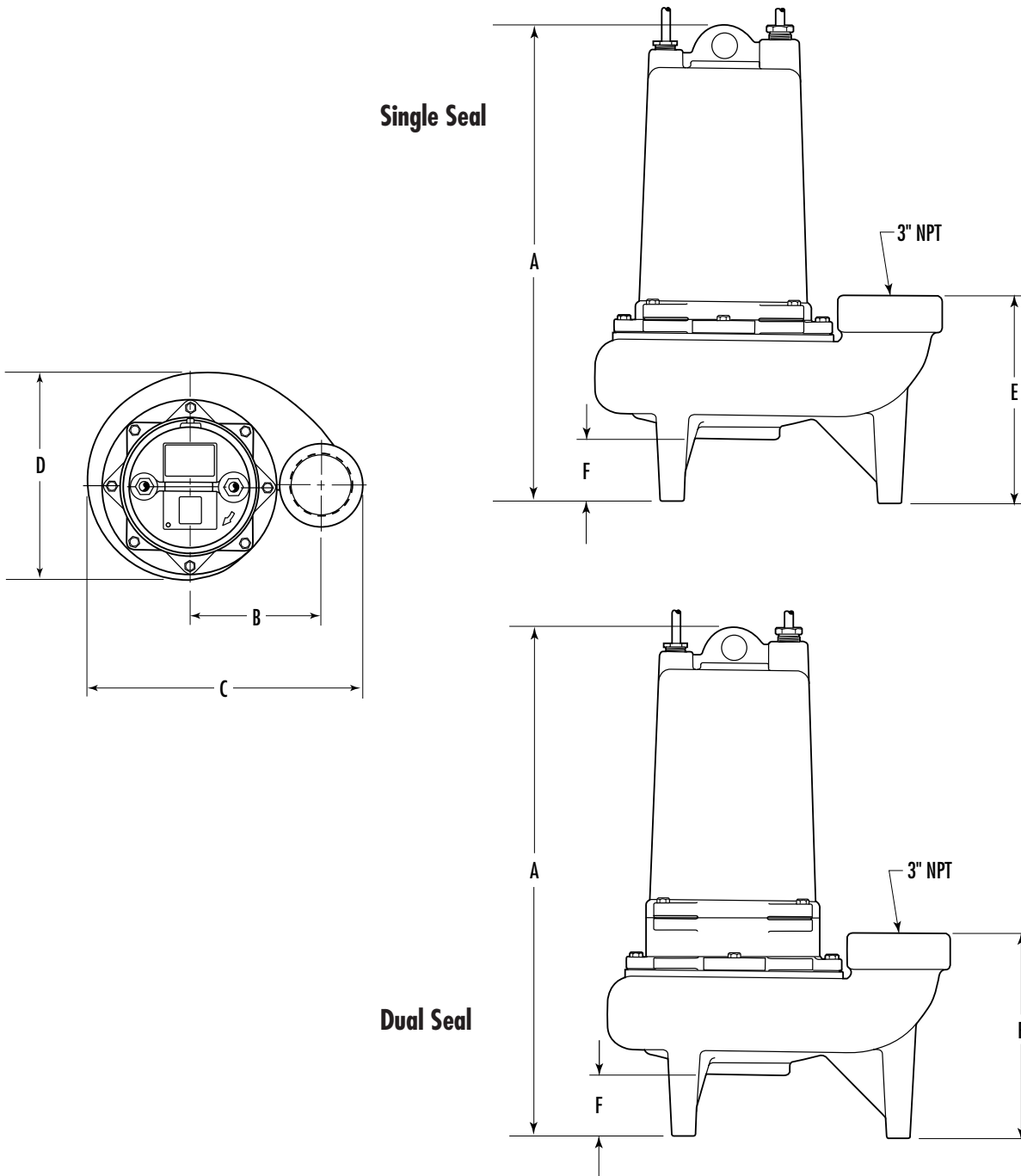


# Dimensional Data

# S3W - 1750 RPM



	A	B	C	D	E	F
<b>S3W – Single Seal</b>	21	7-3/8	15-7/16	11-1/2	9-1/8	2-3/4
<b>S3W – Dual Seal</b>	22-3/4	7-3/8	15-7/16	11-1/2	9-1/8	2-3/4

ALL DIMENSIONS IN INCHES  
 NOTE: CASTING DIMENSIONS MAY VARY ± 1/8"