

HYMAX[®]

a **MUELLER** brand

HYMAX[®] GRIP OPEN BORE FLANGE ADAPTOR

New stab fit design and 316SS hardware allows for easier insertion of flanged devices and superior corrosion resistance.

FEATURES

- Single bolt design
- Integrated Pipe Restraint
- Premium Materials
- Continuous Dynamic Deflection
- Open Bore design

BENEFITS

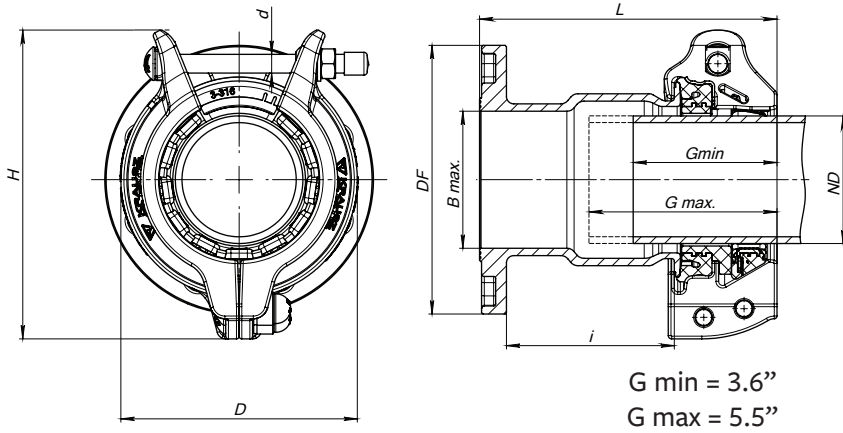
- Quick and simple transition reducing installation costs
- No additional mounting hardware required
- Durable and re-usable* with standard 316SS hardware
- Reduces future pipe breaks and pipe stress
- Simple transition for inserting flanged devices



* Please contact your local TSM for re-use instructions

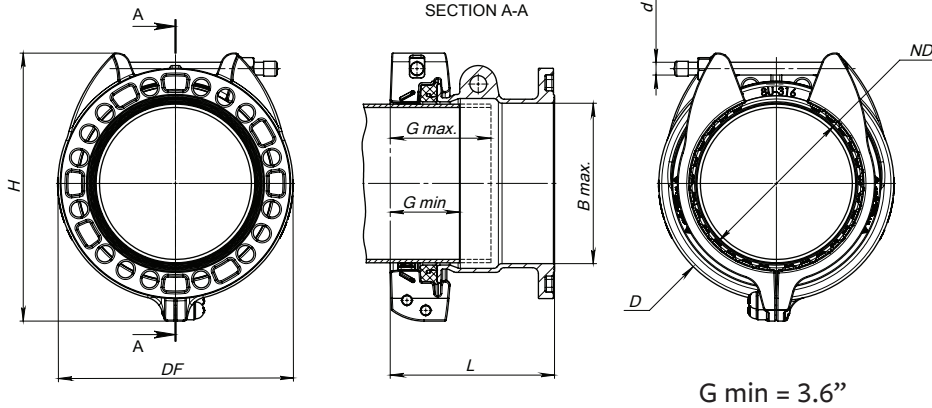
Component	Material	Component	Material
Body	Ductile Iron ASTM A536 grade 65-45-12	Bolts, Nuts, Washers	AISI 316SS with anti-galling coating
Flange	Ductile Iron AWWA Class D	Spacer & Bridge	AISI 316SS
End Ring 3"	Cast Steel ASTM A216 WCB	Gripping Teeth 3"	Fe4Ni05Mo (FN-0405)
End Ring 4"-12"	Ductile Iron ASTM A536 grade 65-45-12	Gripping Teeth 4"-12"	AISI 420SS
Gasket	EPDM (ASTM D2000)	Fusion Bonded Epoxy	Avg 14 Mil thickness, working Temp: up to 125°F

Nominal Pipe Size	Flange Size	Pipe O.D. Range	Before Removal of Inner Layer	After Removal of Inner Layer	Part Number 316SS Hardware	Working Pressure (PSI)
3"	3"	3.15 - 4.17	3.15 - 3.74	3.70 - 4.17	134-96-030080-16	175
4"	4"	4.40 - 5.10	N/A	N/A	134-96-04111-16	175
6"	6"	6.50 - 7.20	N/A	N/A	134-96-06165-16	175
8"	8"	8.50 - 9.40	N/A	N/A	134-96-08216-16	175
10"	10"	10.65 - 11.55	N/A	N/A	134-96-10270-16	175
12"	12"	12.68 - 13.39	N/A	N/A	134-96-12322-16	175



Part Number	ND (inch)	Overall Range (inch)	Before removal the inner layer (inch)	After removal the inner layer (inch)	L (inch)	D (inch)	DF (inch)	H (inch)	i (inch)	Bolts Qty. Sized (inch)	Torque (ft-lbs.)
-------------	-----------	----------------------	---------------------------------------	--------------------------------------	----------	----------	-----------	----------	----------	-------------------------	------------------

134-96-030080-16	4	4.40-5.10	9	8.3	8.7	10.6	5.06	5.0	1-5/8	90	24.7
------------------	---	-----------	---	-----	-----	------	------	-----	-------	----	------



Part Number	ND (inch)	Overall Range (inch)	DF (inch)	L (inch)	D (inch)	H (inch)	B Max (inch)	G Max (inch)	Bolts Qty. Sized (inch)	Torque (ft-lbs.)	Approx Weight (lbs.)
-------------	-----------	----------------------	-----------	----------	----------	----------	--------------	--------------	-------------------------	------------------	----------------------

134-96-04111-16	4	4.40-5.10	9	8.3	8.7	10.6	5.06	5.0	1-5/8	90	24.7
134-96-06165-16	6	6.50-7.20	11.2	8.6	10.9	12.9	7.16	5.4	1-5/8	110	33.9
134-96-08216-16	8	8.50-9.40	13.5	9.6	13.8	15.7	9.36	5.7	1-3/4	200	54.2
134-96-10270-16	10	10.65-11.55	16	9.9	16.2	18.2	11.46	5.7	1-3/4	200	72
134-96-12322-16	12	12.68-13.39	19	10.5	17.4	19.8	13.26	6.2	1-3/4	200	92.1



For more information about us or to view our full line of water products, please visit HymaxUSA.com or call HYMAX customer service at 855.457.2879.

Mueller refers to one or more of Mueller Water Products, Inc., a Delaware corporation ("MWP"), and its subsidiaries. MWP and each of its subsidiaries are legally separate and independent entities when providing products and services. MWP does not provide products or services to third parties. MWP and each of its subsidiaries are liable only for their own acts and omissions and not those of each other. MWP brands include Mueller®, Echologics®, Hydro Gate®, Hydro-Guard®, HYMAX®, Krausz®, Jones®, Mi.Net®, Milliken®, Pratt®, Pratt Industrial®, Singer®, and U.S. Pipe Valve & Hydrant. Please see muellerwp.com/brands to learn more.

© 2021 Mueller Co., LLC. All Rights Reserved. The trademarks, logos and service marks displayed in this document are the property of Mueller Co., LLC., its affiliates or other third parties. Products above marked with a section symbol (S) are subject to patents or patent applications. For details, visit www.mwppat.com. These products are intended for use in potable water applications. Please contact your Mueller Sales or Customer Service Representative concerning any other application(s).

