

HYMAX[®] 2

HYMAX[®] 2 WITH THREADED OUTLET (1.5"-12")



FEATURES

- ADVANCED WIDE-RANGE COUPLING WITH A PATENTED FLIP GASKET
- ELIMINATES GASKET REMOVAL MISTAKES AND MAXIMIZES INSTALLER WORK EFFICIENCY
- USING THE GAME-CHANGING HYMAX TECHNOLOGY, PROVEN IN OVER 1M INSTALLATIONS IN NORTH AMERICA
- SUITABLE FOR ALL TYPES OF PIPES - DUCTILE IRON, CAST IRON, STEEL, COPPER, PE, PVC, AC, GRP
- PATENTED HYDRAULICALLY-ASSISTED GASKET WITH 2-STAGE SEALING
- LIGHTWEIGHT CONSTRUCTION ENABLES FAST AND EASY INSTALLATION
- ALLOWS 4° DYNAMIC DEFLECTION, REDUCING FUTURE PIPE DAMAGE
- ONE PRODUCT CAN CONNECT PIPES OF TWO DIFFERENT MATERIALS

SPECIFICATIONS

STANDARDS

HYMAX WITH THREADED OUTLET MEETS OR EXCEEDS REQUIREMENTS OF STANDARDS: AWWA C-219, NSF-61, NSF 372.

SIZE

AVAILABLE IN NOMINAL DIAMETER FROM 1.5"-12" STANDARD.

MATERIAL

END RINGS ASTM A283 / A283M GRADE C STEEL.

CENTER RING ASTM A53 GRADE A STEEL.

GASKET EPDM COMPOUNDED FOR WATER AND SEWAGE, MEETS INTERNATIONAL STANDARDS FOR CONTACT WITH DRINKING WATER.

BRIDGE TYPE 304 STAINLESS STEEL.

SPHERICAL SPACERS AISI 304 STAINLESS STEEL.

OUTLET THREADED COUPLING NPT CLASS 3000, MEETS ANSI B16.11.

COATING 100% FUSION BONDED EPOXY FOR ENHANCED CORROSION PROTECTION. AVERAGE THICKNESS 14 MIL.

NUTS, BOLTS & WASHERS AISI 304 STAINLESS STEEL.

HYMAX[®]

Repair the past. Connect the future.

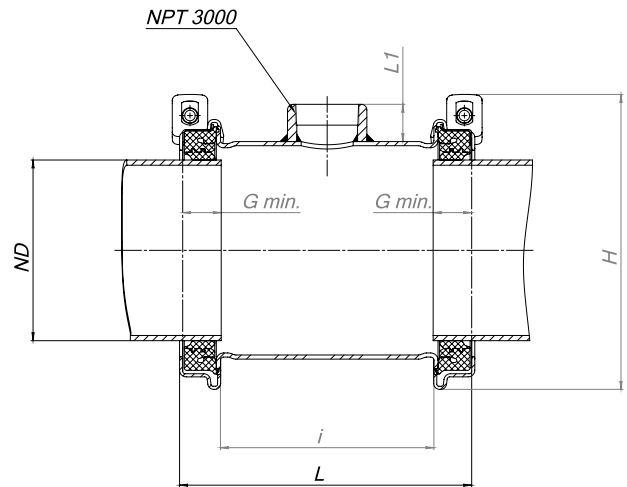
 KRAUSZ is the creator of HYMAX

PRODUCT SPECIFICATIONS

HYMAX 2

PRODUCT PERFORMANCE (*)

WORKING TEMPERATURE	-20°F UP TO +125°F
DYNAMIC DEFLECTION	UP TO 4° PER SIDE (NOT FOR OUTLET)
MIN. PIPE INSERTION	2.25"
MAXIMUM OFFSET FOR MISALIGNED PIPES	ND 1.5"-3" ND 4"-12" 0.39" 0.51"
MAXIMUM OUT OF ROUNDNESS	ND 1.5" ND 2"-3" ND 4"-12" 0.08" 0.20" 0.31"
WORKING PRESSURE	260 PSI
RATED PRESSURE	390 PSI
VACUUM TEST	12 PSI



* See Submittal Drawings For Details.

PRODUCT SPECIFICATIONS

HYMAX 2



PRODUCT TABLES

HYMAX2 WITH THREADED OUTLET NOMINAL SIZES 1.5"-12"

Krausz Part Number	Nominal Diameter (inch)	Outlet Options (inch)	Overall Range (inch)	Range In Closed Gasket Position	Range In Open Gasket Position	Bolts Num. and Size (mm)	Torque (Ft-Lbs)	Approx. Weight (Lbs)
865-54-01041-16	1.5	1	1.61-2.13	1.61-1.97	1.96-2.13	2 -M12	35	6
865-54-XX054-16*	2	1 - 1.5	2.10-3.03	2.10-2.60	2.56-3.03	2 -M12	50	8 - 9.5
865-54-XX088-16	3	1 - 2	3.46-4.33	3.46-3.90	3.86-4.33	2 -M12	50	11 - 13.2
865-54-XX108-16	4	1 - 2	4.25-5.63	4.25-5.00	4.92-5.63	2 -M14	75	16 - 18.2
865-54-XX163-16	6	1 - 4	6.42-7.68	6.42-7.05	7.01-7.68	2 -M14	75	24 - 35.5
865-54-XX217-16	8	1 - 4	8.54-9.84	8.54-9.17	9.13-9.84	2 -M14	75	29 - 40.5
865-54-XX272-16	10	1 - 4	10.70-12.00	10.70-11.37	11.33-12.00	2 -M14	75	34 - 45.5
865-54-XX278-16	10	1 - 4	10.96-12.26	10.96-11.63	11.59-12.26	2 -M14	75	34 - 45.5
865-54-XX315-16	12	1 - 4	12.40-13.66	12.40-13.03	12.99-13.66	2 -M14	80	40 - 51.5
865-54-XX334-16	12	1 - 4	13.15-14.41	13.15-13.78	13.74-14.41	2 -M14	80	40 - 51.5

For example 865-54-XX163-16 may be:

Krausz Part Number	Nominal Diameter (inch)	Outlet (inch)	Outlet L1 (inch)
865-54-01163-16	6	1	1.18
865-54-15163-16	6	1.5	1.56
865-54-02163-16	6	2	1.69
865-54-03163-16	6	3	2.13
865-54-04163-16	6	4	2.36

HYMAX[®]

Repair the past. Connect the future.

 **KRAUSZ** is the creator of HYMAX

331SW 57TH AVENUE, OCALA, FLORIDA 34474

TEL: 855-457-2879 | 855-4KRAUSZ

FAX: 352-304-5787

info@krauszusa.com | www.krauszusa.com

This product is protected under a registered patent. See Krausz website for details. Copyright © 2017 Krausz Industries Ltd., All rights reserved