

V3D-SERIES

Sewage, high-capacity sump, effluent



Technical Data	Units	Model Specifications
Horsepower	HP	3
Max. head	ft	36
Max. flow rate	GPM	484
Voltage	V	200V / 1Ø, 20.5 FLA, 60Hz
		230V / 1Ø, 18.5 FLA, 60Hz
		200V / 3Ø, 13.6 FLA, 60Hz
		230V / 3Ø, 12.5 FLA, 60Hz
Cable		460V / 3Ø, 7 FLA, 60Hz
		25' S00W 3Ø 12/6 AWG12 / 1Ø 10/6 AWG 10
Bearing n.d.e.		Ball Bearing
O-rings		NBR 70
Shaft seal motor side		Lip Seal
Shaft seal medium side		SiC Mech. Seal
Volute type / material		Cast Iron
Discharge connection		ANSI #150
Inlet diameter	in	Ø 3.94
Impeller type / material		Vortex (Cast Iron)
Impeller diameter	in	1Ø 7.283 / 3Ø 7.48
Free passage	in	3.937
Weight with cable	lbs	117

Material	
Coating	2K Epoxy, 80 µm (Black)

COMMERCIAL GRADE
GRINDER AND SOLIDS HANDLING PUMPS

MULTIFREE™ VORTEX IMPELLER SYSTEM – SUPERIOR SOLIDS HANDLING

Advanced Vortex Impeller

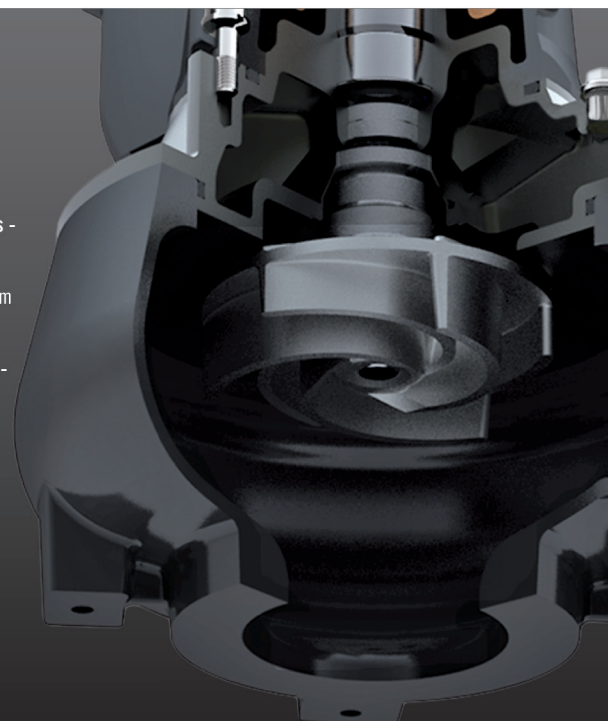
- › **High-Speed Rotary Action** - Spins solids away from, not through, impeller
- › **Large Solid Removal** - Easily handles up to 4" abrasive, fibrous and solid matter
- › **Commercial Grade Components** - For long service life and high operational reliability

High-Efficiency Motor

- › **Continuous-Duty Rated** - Maintains performance specifications at 100% duty cycle
- › **Air Cooled** - Outperforms oil-filled motors for superior cooling and longer life
- › **Oil-Free** - Cleaner maintenance and no oil-disposal issues

Superior Seals

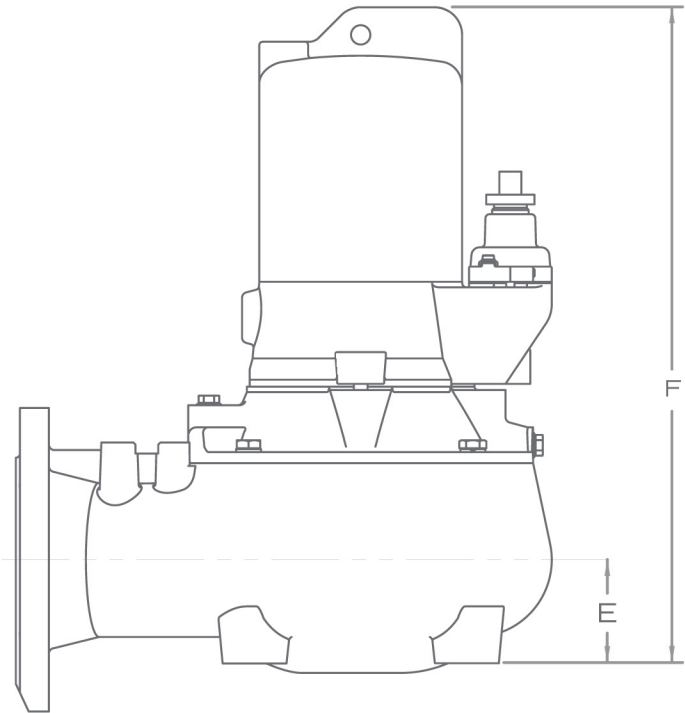
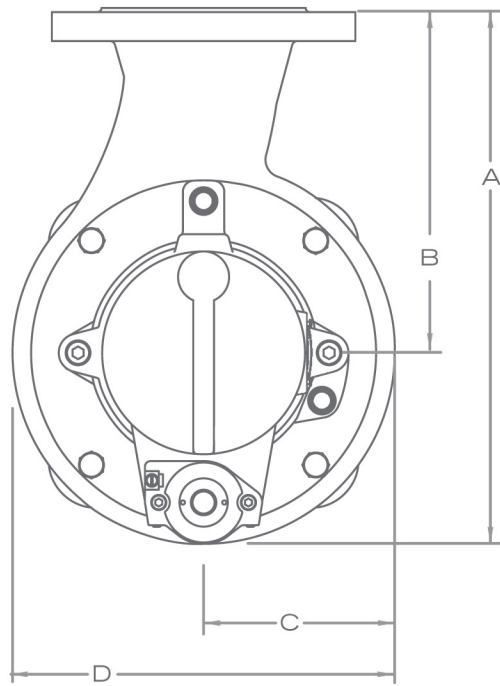
- › **Silicon Carbide Mechanical Seals** - Superior abrasion resistance
- › **Dry-Run Safe** - Conducts heat from the seal when pump is run dry
- › **Double Seal with Leak Detection** - Redundant seals with alert system if seals fail (optional)



THE POWER OF INTELLIGENT DESIGN™

VORTEX SERIES

Dimensions



VORTEX MODEL	A		B		C		D		E		F	
	mm	in	mm	in	mm	in	mm	in	mm	in	mm	in
V3D-01	402.5	15.85	247	9.72	138.5	5.45	277	10.91	75	2.93	525.5	20.69
V3D-21	402.5	15.85	247	9.72	138.5	5.45	277	10.91	75	2.93	525.5	20.69
V3D-03	385.5	15.18	247	9.72	138.6	5.46	277	10.91	75	2.93	475.5	18.72
V3D-23	385.5	15.18	247	9.72	138.6	5.46	277	10.91	75	2.93	475.5	18.72
V3D-43	385.5	15.18	247	9.72	138.6	5.46	277	10.91	75	2.93	475.5	18.72

FAST, PROFESSIONAL, DETAILED SUPPORT

Tell Us about Your Specific Jobsite Requirements

You can count on us to deliver the very best solutions.

Fast Turnaround with Your Custom Quotation

Our technical sales department will prepare a detailed quotation with drawings for your specific submittal package within 24 hours!

Quick Shipment Program

Fully Stocked U.S. Inventory - Our quick ship program can turn an order around in as little as 24 hours* – includes U.S.-based factory-assembled components such as floats, brackets and guide rails, reducing jobsite labor – everything you need for a fast, turnkey solution.

*Please allow additional time for orders requiring impeller trims or other requirements.

