

# V7D-SERIES

Sewage, high-capacity sump, effluent



Technical Data	Units	Model Specifications
Horsepower	HP	7.5
Max. head	ft	52
Max. flow rate	GPM	748
Voltage	V	460V / 3Ø, 12.3 FLA, 60Hz
Cable		25' SOOW 12/6 AWG 12
Bearing n.d.e.		Ball Bearing
O-rings		NBR 70
Shaft seal motor side		Lip Seal
Shaft seal medium side		SiC Mech. Seal
Volute type / material		Cast Iron
Discharge connection		ANSI #150
Inlet diameter	in	Ø 3.94
Impeller type / material		Vortex (Cast Iron)
Impeller diameter	in	7.874
Free passage	in	3.937
Weight with cable	lbs	258

## Material

Coating 2K Epoxy, 80 µm (Black)

**COMMERCIAL GRADE**  
GRINDER AND SOLIDS HANDLING PUMPS

## MULTIFREE™ VORTEX IMPELLER SYSTEM – SUPERIOR SOLIDS HANDLING

### Advanced Vortex Impeller

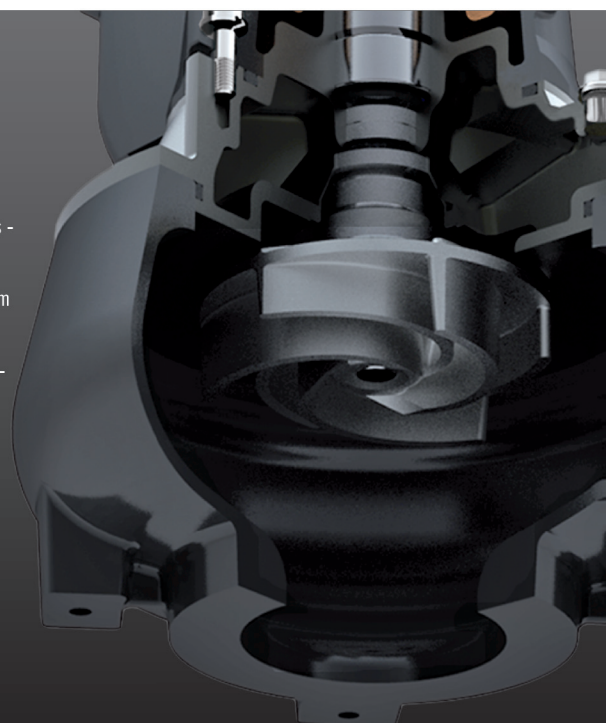
- › **High-Speed Rotary Action** - Spins solids away from, not through, impeller
- › **Large Solid Removal** - Easily handles up to 4" abrasive, fibrous and solid matter
- › **Commercial Grade Components** - For long service life and high operational reliability

### High-Efficiency Motor

- › **Continuous-Duty Rated** - Maintains performance specifications at 100% duty cycle
- › **Air Cooled** - Outperforms oil-filled motors for superior cooling and longer life
- › **Oil-Free** - Cleaner maintenance and no oil-disposal issues

### Superior Seals

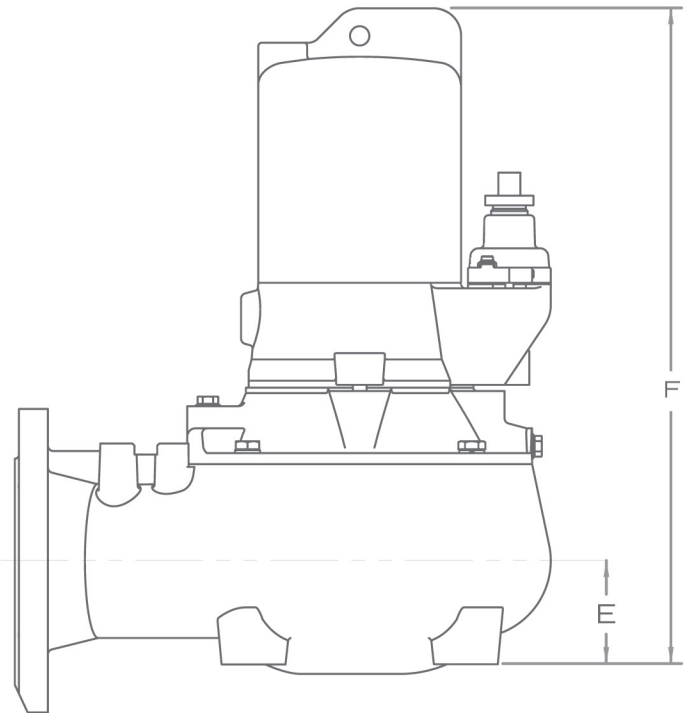
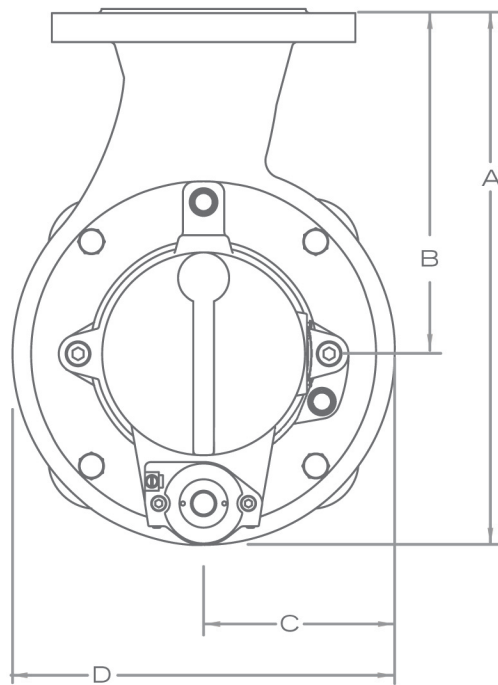
- › **Silicon Carbide Mechanical Seals** - Superior abrasion resistance
- › **Dry-Run Safe** - Conducts heat from the seal when pump is run dry
- › **Double Seal with Leak Detection** - Redundant seals with alert system if seals fail



**THE POWER OF INTELLIGENT DESIGN™**

# VORTEX SERIES

## Dimensions



VORTEX MODEL	A		B		C		D		E		F	
	mm	in	mm	in	mm	in	mm	in	mm	in	mm	in
V7D-43	486.5	19.15	299	11.77	187.5	7.38	375	14.76	97	3.83	638	25.12

### FAST, PROFESSIONAL, DETAILED SUPPORT

#### Tell Us about Your Specific Jobsite Requirements

You can count on us to deliver the very best solutions.

#### Fast Turnaround with Your Custom Quotation

Our technical sales department will prepare a detailed quotation with drawings for your specific submittal package within 24 hours!

#### Quick Shipment Program

**Fully Stocked U.S. Inventory** - Our quick ship program can turn an order around in as little as 24 hours\* – includes U.S.-based factory-assembled components such as floats, brackets and guide rails, reducing jobsite labor – everything you need for a fast, turnkey solution.

\*Please allow additional time for orders requiring impeller trims or other requirements.

