

# MYERS® ME40AG SERIES 4/10 HP SUBMERSIBLE AGRICULTURAL PUMP

The MYERS ME40AG series submersible pumps are one of the most efficient 4/10 HP sump pumps on the market today. These pumps are engineered specifically for the vigorous demands created by today's agricultural cooling systems. A modified design delivers an enclosed two-vane impeller suited to provide optimal flow and head for cooling systems. The ME40AG is constructed of only the highest quality corrosion resistant materials; like epoxy coated cast iron, stainless steel, and thermoplastics for many hours of continuous service in the harsh sump environment. For more information, call your MYERS distributor or the MYERS Ashland, Ohio sales office at 419-289-6898 or visit our website at [www.femyers.com](http://www.femyers.com).

## ADVANTAGES BY DESIGN

### TWO-VANE IMPELLER DESIGN PROVIDES MAXIMUM DOSING EFFICIENCY

- Enclosed design for high efficiency pumping.
- Vane design capable of producing high head and flow.
- Full 3/4 inch passageway.

### DURABLE MOTOR WILL DELIVER MANY HOURS OF RELIABLE SERVICE

- Oil-filled motor has been improved for maximum heat dissipation and continuous bearing lubrication.
- Overload protected, permanent split capacitor motor delivers smooth efficient power.
- Generously sized motor easily handles the application with power to spare.

### THE ME40AG IS DESIGNED FOR MANY HOURS OF MAINTENANCE FREE OPERATION

- Long flexible Type 6 seal provides high pressure sealing with improved seal face protection.
- Lower ball bearing eliminates sleeve bearing wear and holds the mechanical seal steady.
- Low amp draw from the efficient PSC motor means less heat build-up.
- Optional suction screen included to prevent debris from entering the pump.

## CONSTRUCTION MATERIALS

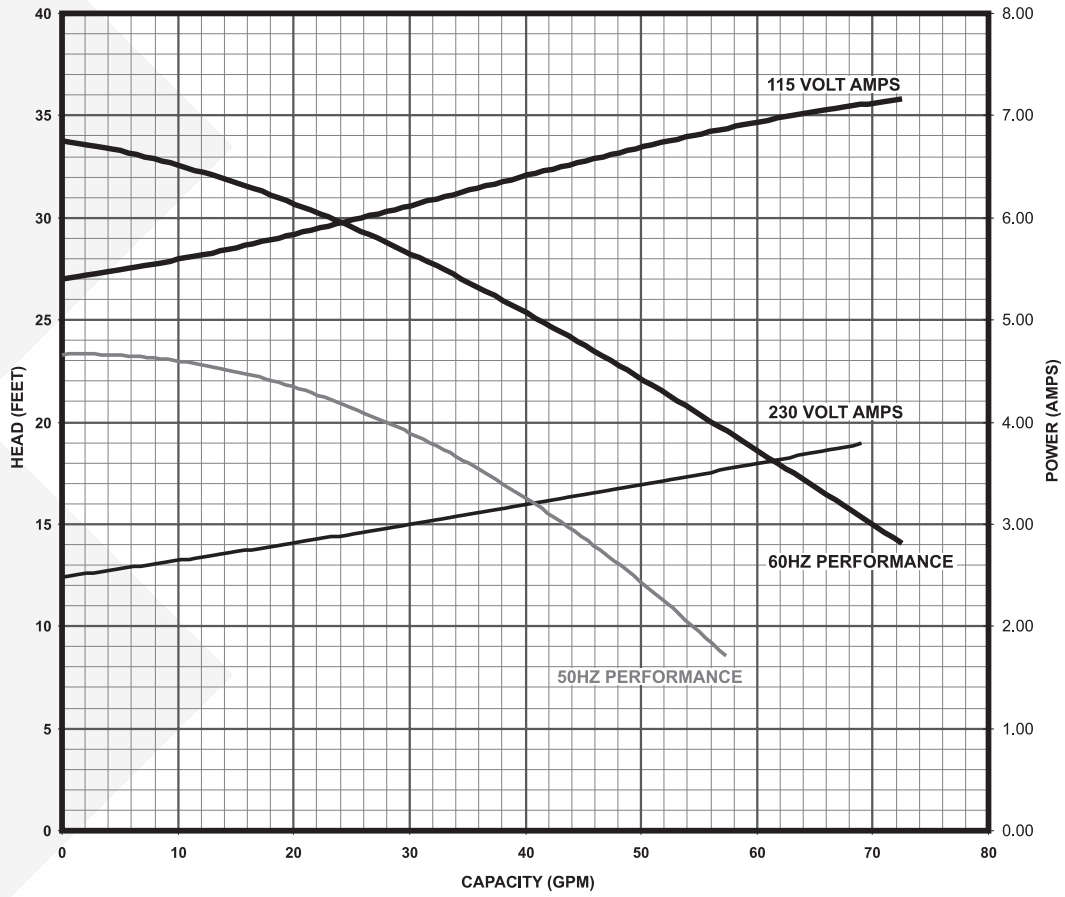
Motor Housing	cast iron, class 30, ASTM 48
Motor Bearings	ball bearing-lower, top-sleeve
Impeller	enclosed, engineered thermoplastic
Volute	thermoplastic
Power Cord	16/3 SJTW
Mechanical Shaft Seal	Type 6 - carbon/ceramic
Fasteners	300 series SST

## PRODUCT CAPABILITIES

Capacities To	70 gpm	265 lpm
Heads To	33 ft.	10 m
Solids Handling Capacity	3/4 in.	19 mm
Liquids Handling	sump or recirculated water	
Intermittent Liquid Temp.	up to 140°F	up to 60°C
Motor Electrical Data	4/10 hp, 1625 rpm, PSC 115 volt, 8 amp, 1Ø, 50/60 Hz 230 volt, 4 amp, 1Ø, 50/60 Hz	
Third Party Approvals	CSA, UL	
Acceptable pH Range	6 - 9	
Specific Gravity	.9 - 1.1	
Viscosity	28-35 SSU	
Discharge, NPT	1-1/2 in.	38.1 mm
Min. Sump Diameter	24 in.	61 mm

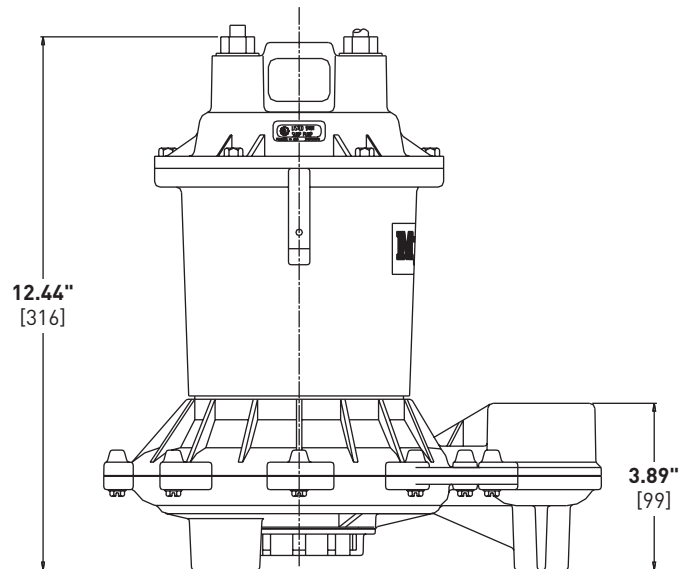
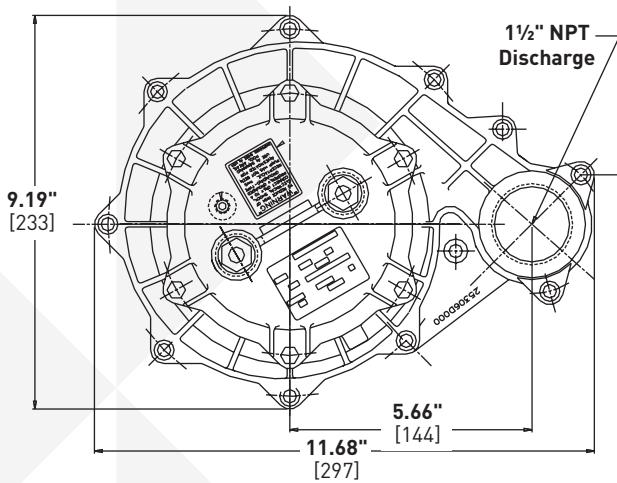


## PERFORMANCE CURVE



## DIMENSIONS

[Dimensions in mm]



740 EAST 9TH STREET,  
ASHLAND, OHIO 44805  
WWW.FEMYERS.COM

269 TRILLIUM DRIVE, KITCHENER,  
ONTARIO, CANADA N2G 4W5  
WWW.FEMYERS.COM

Because we are continuously improving our products and services, Pentair reserves the right to change specifications without prior notice.  
K4221 01/28/13 © 2013 Pentair Ltd. All Rights Reserved.