

MYERS® MVPH Series Vertical Multi-Stage Deep Well Jet Pumps



The MVPH Series Vertical Jet Pumps are the industry standard deep well jet pumps for over-the-well “bolt-on” installations.

The MVPH Series Jet Pumps include the pre-plumbed external automatic regulator, pressure gauge, pressure switch, and a complete line of casing adapters for 4" double pipe, 2" or 3" single pipe jet packages.

APPLICATIONS

- Supply water systems and sprinkling systems... for homes, farms and cottages.

SPECIFICATIONS

- Body** – Rugged cast iron
- Pump and Motor Shaft** – 416 Stainless Steel
- Impellers** – Noryl®
- Diffuser** – Close-grained cast iron

FEATURES

- Automatic Pressure Regulator** - Faster-acting and quieter, design eliminates “hunting” for correct drive pressure. New improved stem and guide are precisely molded to assure efficient, trouble-free performance on all deep wells.

Quality Construction - Precision-machined, close-grained cast iron pump body and base are specially treated to resist corrosion.

Noryl® Impellers - Precision molded for perfect balance, and ultra-smooth for highest performance and efficiency.

Pressure Switch - High quality. Differential and cut-in/cut-out pressure settings are adjustable.

Motor Windings - Superior insulation materials protect against excessive moisture and contaminants to ensure prolonged motor life.

Mechanical Shaft Seal - Precision lapped and highly polished carbon-ceramic, stainless steel construction. Internal design guarantees continuous water lubrication for maximum protection.

Dustproof Cover - All electrical components are protected from dirt, dust and insects by a dustproof canopy. Ventilating air cannot contaminate vital switching components. This eliminates the most common cause of motor failure.

Balanced Rotor - Rotor is die cast under high pressures for uniform performance and greater efficiency; dynamically balanced.

Heavy-duty Ball Bearings - Permanently lubricated sealed bearings are extensively tested to ensure extended life and smooth, quiet operation.

Pump and Motor Shaft - One piece threaded shaft for positive impeller drive and alignment. Shaft is stainless steel for maximum corrosion resistance.

Noryl® is a registered trademark of General Electric Co.
All other brand or product names are trademarks or registered marks of Pentair Ltd.

MYERS® MVPH Series Vertical Multi-Stage Deep Well Jet Pumps

ORDERING INFORMATION

Catalog Number	HP	Description	Max. Press. Reg. Setting	Pipe Tapping Sizes			Motor Voltage	Approx. Wt. (Lbs.)
				Suct.	Drive	Disch.		
MVPH-100	1	Base Mounted Pump	60 PSI	1-1/4"	1-1/4"	1"	115/230	73
MVPH-150	1-1/2	Base Mounted Pump	85 PSI	1-1/4"	1-1/4"	1"	230	120
MVPH-200	2	Base Mounted Pump	95 PSI	1-1/4"	1-1/4"	1"	230	125

ADAPTER FLANGE

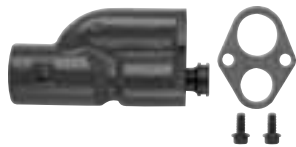
Catalog Number	Description	Used With
J216-27	1-1/4" x 1-1/4"	4" double pipe 1, 1-1/2 and 2 HP

Order pump from ordering information table above. A Jet Package (see table below) should be ordered with every Series MVPH Pump. All installations require an appropriate size adapter flange or casing adapter if bolt-on feature is desired.

JET PACKAGES – A JET PACKAGE SHOULD BE ORDERED WITH EVERY CONVERTIBLE OR DEEP WELL JET PUMP.

Package Number	Description
PKG 1-23SD	For shallow well and deep well applications and for all 4" double pipe applications
PKG 2A-23SD	For shallow well applications and for all 4" double pipe applications with three (3) venturis
PKG 1-12AP* and PKG 1-12APB*	Jet with built-in check valve; for all 2" single pipe deep well applications
PKG 1-18AP* and PKG 1-8APB*	Jet with built-in check valve; for all 2" single pipe deep well applications
PKG 1-23CP*, PKG 1-22CP*, PKG 1-17CP*, PKG 1-16CP*	Jet with built-in check valve; for all 3" single pipe deep well applications

*Suction Tapping: 1-1/4" Male and 1" Female



PKG 1- 23SD
Shallow Well and Deep Well



PKG 1- AP
2" Single Pipe Cast Iron



PKG 2A- 23SD – Double Pipe

or
PKG 1- APB
2" Single Pipe Brass

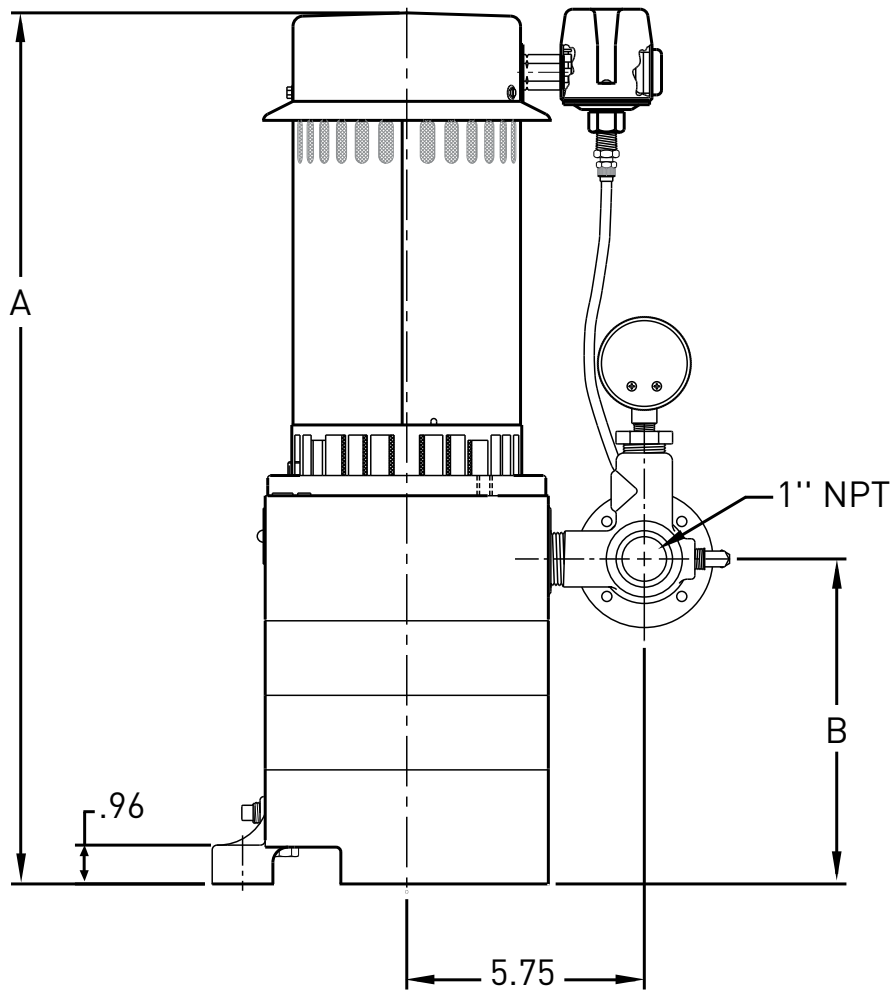
or
PKG 1- CP
3" Single Pipe



PKG 2A – Accessory Package

MYERS® MVPH Series Vertical Multi-Stage Deep Well Jet Pumps

OUTLINE DIMENSIONS



Cat. No.	A	B
MVPH-100	18-3/8	5-5/8
MVPH-150	20-7/16	7-1/2
MVPH-200	20-15/16	7-1/2

Dimensions (in inches)
are for estimating purposes only.

MYERS® MVPH Series Vertical Multi-Stage Deep Well Jet Pumps

PUMP PERFORMANCE - DEEP WELL

CAPACITY IN GALLONS PER MINUTE

Cat. No.	HP	Jet No.	Uses Venturi	Uses Nozzle	Pumping Depth in Feet																		Max. Pump Shut Off Press. (PSI)			
					30'	40'	50'	60'	70'	80'	90'	100'	110'	120'	130'	140'	180'	200'	220'	240'	260'	280'	300'	320'	Jet at Min. Depth	Jet at Max. Depth
4" DOUBLE PIPE – 40 PSI																										
MVPH-100	1	23SD	J32P-24	J34P-42	12.1	11.7	11.6	11.1	10.2	9.2	7.8	6.4	5.0	4.0	3.0							120	76			
		15SD	J32P-18	J34P-42	5.5	5.5	5.5	5.4	5.3	5.3	5.2	5.1	5.1	5.0	4.8	4.5	3.3	2.7	2.0	1.3	1.0			200	97	
MVPH-150	1-1/2	23SD	J32P-24	J34P-42	12.2	12.2	12.2	12.2	11.7	11.3	10.7	9.9	9.0	8.3	7.0	4.0	1.3						164	95		
		15SD	J32P-18	J34P-42	5.5	5.5	5.5	5.5	5.5	5.5	5.3	5.3	5.2	5.1	5.1	5.0	4.8	4.7	4.5	4.3	4.0	3.3	2.7	314	172	
MVPH-200	2	23SD	J32P-24	J34P-42	12.2	12.2	12.2	12.2	11.8	11.3	11.2	11.1	11.0	10.0	8.7	7.0	4.0	2.0					195	110		
		23SD	J32P-18	J34P-42	5.5	5.5	5.5	5.5	5.5	5.5	5.3	5.3	5.2	5.1	5.1	5.0	5.0	4.8	4.8	4.5	4.3	4.0	3.3	2.7	314	172
2" SINGLE PIPE – 40 PSI																										
MVPH-100	1	12AP	J32P-24	J34P-42	12.1	11.3	11.2	10.0	8.8	7.6	6.5	5.6	3.3	1.8									118	80		
		8AP	J32P-18	J34P-42	5.5	5.5	6.3	5.3	5.2	5.1	5.0	5.0	5.0	5.0	4.5	4.2	2.0							198	126	
MVPH-150	1-1/2	12AP	J32P-24	J34P-42	12.2	12.0	12.0	12.0	11.5	11.2	9.7	8.3	6.8	5.5	4.2	3.3							162	110		
		8AP	J32P-18	J34P-42	5.5	5.5	5.5	5.5	5.5	5.3	5.2	5.1	5.0	5.0	5.0	4.8	4.3	3.5	2.7	1.7				266	158	
MVPH-200	2	12AP	J32P-24	J34P-42	12.2	12.0	12.0	12.0	11.7	11.2	11.0	10.3	8.3	7.5	6.3	5.3							193	139		
		8AP	J32P-18	J34P-42	5.5	5.5	5.5	5.5	5.5	5.3	5.2	5.2	5.1	5.1	5.0	4.8	4.7	4.3	3.7	3.2	2.5			312	192	
3" SINGLE PIPE – 40 PSI																										
MVPH-100	1	23CP	J32P-24	J34P-42	12.1	11.7	11.6	11.1	10.2	9.2	7.8	6.4	5.0	4.0	3.0								120	76		
		16CP	J32P-18	J34P-42	5.5	5.5	5.5	5.4	5.3	5.3	5.2	5.1	5.1	5.0	4.8	4.5	3.3	2.7	2.0	1.3	1.0			200	97	
MVPH-150	1-1/2	23CP	J32P-24	J34P-42	12.2	12.2	12.2	12.2	11.7	11.3	10.7	9.9	9.0	8.3	7.0	4.0	1.3						164	95		
		22CP	J32P-20	J34P-42	7.7	7.7	7.7	7.5	7.5	7.4	7.3	7.3	7.2	7.2	7.0	7.0	4.3	4.0	3.2	2.2				210	110	
		16CP	J32P-18	J34P-42	5.5	5.5	5.5	5.5	5.5	5.5	5.3	5.2	5.2	5.1	5.0	5.0	4.9	4.7	4.0	3.8	3.0	2.3	1.7	2668	132	
MVPH-200	2	23CP	J32P-24	J34P-42	12.2	12.2	12.2	12.2	11.8	11.3	11.2	11.1	11.0	10.0	8.7	7.0	4.0	2.0					1195	110		
		22CP	J32P-20	J34P-42	7.7	7.7	7.7	7.5	7.5	7.4	7.3	7.3	7.2	7.2	7.0	7.0	5.3	5.0	4.7	4.0	3.0	2.2		250	128	
		16CP	J32P-18	J34P-42	5.5	5.5	5.5	5.5	5.5	5.5	5.3	5.3	5.2	5.1	5.1	5.0	5.0	4.8	4.7	4.5	4.3	4.0	3.3	2.7	314	172

Tested and rated in accordance with Water Systems Council Standards.

NOTE: Pumps installed with a PRO-Source® tank require a 100 PSI relief valve. Pumps installed with a conventional tank require a 75 PSI relief valve. Relief valve must be capable of relieving entire flow of pump at relief pressure.

