

MYERS® CMV1830

The Myers CMV1830 Packaged Sewage Ejector System provides extra lifting power for demanding residential applications. The highly-regarded CMV5 series pump and corrosion-resistant basin make this the preferred package for extended service installations. Solids up to 2" in diameter easily pass through the specially designed recessed vortex impeller.



APPLICATIONS

Residential septic tank, sewage and large sumps

SPECIFICATIONS

Capacities – 95 GPM (360 LPM)
Shut-off Head – 19' shut-off (5.8 m)
Solids Handling – 2" (50.8 mm)
Liquids Handling – Raw sewage, effluent and drain water
Intermittent Liquid Temperature – Up to 140°F (60°C)
Motor/Electrical Data – 1/2 HP, PSC, 1625 RPM, 115V, 12A, 1Ø, 60Hz
Acceptable pH Range – 6-9
Discharge, NPT – 2" (50.8 mm)
Housing – Cast iron
Power Cord – 20', 16/3, SJTW
Impeller – Recessed, thermoplastic
Volute Case – Thermoplastic
Shaft Seal – Type 11A, carbon and ceramic
Basin Size – 18" x 30" structural foam; 30-gallon capacity

FEATURES

Ready to Go

The packaged system includes: pump, basin, sealed cover, internal basin discharge pipe and 2" full-swing check valve

Powerful and Proven CMV5 Pump

- Long-life carbon/ceramic seal protects motor against leakage
- Oil-filled motor for continuous lubrication and heat dissipation
- Internal heat sensor prevents overheating and includes auto-matic reset
- Recessed impeller reduces radial bearing loads, increasing bearing life

BASIN

- 18" x 30" corrosion-resistant structural foam construction
- 30-gallon capacity
- 4" plastic slip type or cast iron inlet hub

BASIN COVER

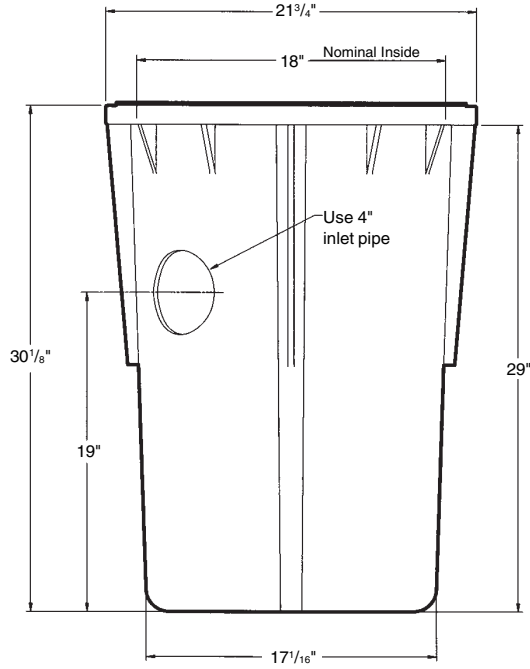
- 18" seal-tight design in structural foam or steel
- Structural Foam: 2" discharge flange and vent flange suitable for 2" or 3" vent
- Steel: Split design with 2" or 3" vent

ORDERING INFORMATION

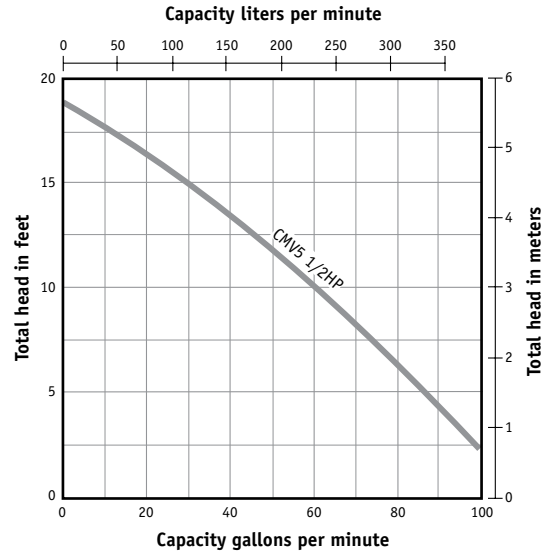
Catalog Number	HP	Volts	Phase/Cycles	Amps	Discharge Size	Cover Type	Inlet Type	Vent Size	Switch Type	Cord Length	Approx. Wt. Lbs.
CMV1830	1/2	115	1/60	12	2"	1 pc. Structural Foam	Snap-in	2"/3"	Tethered Automatic	20'	50
CMV1830C	1/2	115	1/60	12	2"	2 pc. Split Steel	Snap-in	2"/3"	Tethered Automatic	20'	60

MYERS® CMV1830

DIMENSIONS



PUMP PERFORMANCE



USA
293 WRIGHT STREET, DELAVAN, WI 53115 WWW.FEMYERS.COM
PH: 888-987-8677 ORDERS FAX: 800-426-9446

CANADA
490 PINEBUSH ROAD, UNIT 4, CAMBRIDGE, ONTARIO N1T 0A5
PH: 800-363-7867 ORDERS FAX: 888-606-5484

Because we are continuously improving our products and services, Pentair reserves the right to change specifications without prior notice.