

MYERS® SR1830

The Myers® SR1830 Packaged Sewage System for below-drain applications. The heavy-duty cast iron SRM4 series pump and corrosion-resistant basin make this the preferred package for extended service installations. The specially designed recessed vortex impeller ensures the free flow of solids up to 2" diameter. IAPMO approved model available.

APPLICATIONS

Residential septic tank sewage and large sumps

SPECIFICATIONS

Capacities – 95 GPM (360 LPM)
Shut-off Head – 19' (5.8 m)
Solids Handling – 2" (50.8 mm)
Liquids Handling – Septic effluent and sewage
Intermittent Liquid Temperature – Up to 140°F (60°C)
Motor – 4/10 HP, shaded pole, 115V, 12A, 1Ø, 60Hz
Acceptable pH Range – 5-9
Discharge, NPT – 2" (50.8 mm)
Housing – Heavy cast iron
Power Cord – 10'
Impeller – Recessed, thermoplastic
Volute Case – Cast iron
Shaft Seal – Type 11A, carbon and ceramic
Basin Size – 18" x 30" structural foam; 30-gallon capacity



FEATURES

Ready To Go

Fully assembled system includes: pump, basin, sealed cover, internal basin discharge pipe and 2" full-swing check valve

Heavy-duty SRM4A1C Pump

- Long-life carbon/ceramic seal protects motor against leakage
- Oil-filled motor for continuous lubrication and heat dissipation
- Internal heat sensor prevents overheating and includes automatic reset
- Tethered automatic float switch with piggyback plug

BASIN

- 18" x 30" corrosion-resistant structural foam construction
- 30-gallon capacity
- 4" plastic slip type or cast iron inlet hub

BASIN COVER

- 18" seal-tight design in structural foam or steel
- Structural Foam: 2" discharge flange and vent flange suitable for 2" or 3" vent
- Steel: Split design with 2" or 3" vent

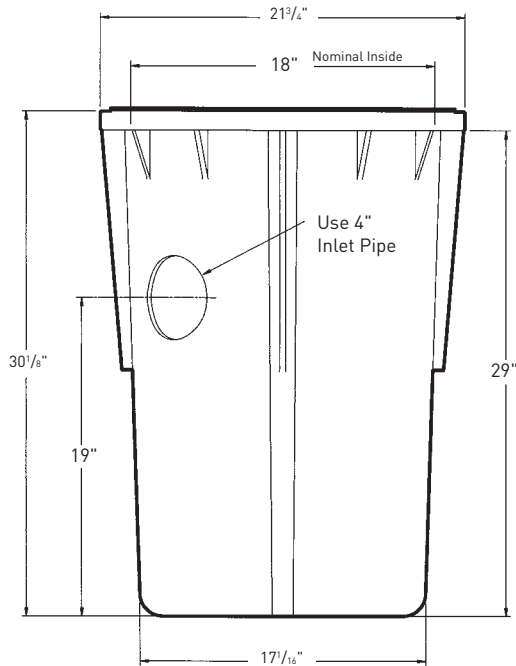
MYERS® SR1830

ORDERING INFORMATION

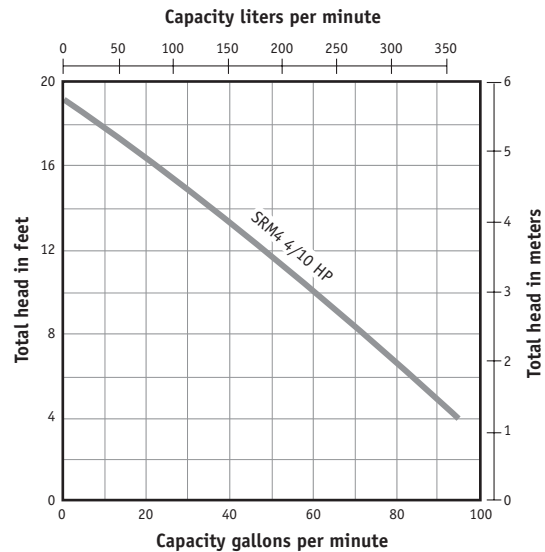
Catalog Number	HP	Volts	Phase/Cycles	Amps	Discharge Size	Cover Type	Inlet Type	Vent Size	Switch Type	Cord Length	Approx. Wt. Lbs.
SR1830-23-2	4/10	115	1/60	12	2"	Solid	Snap-in	2"/3"	Tethered Automatic*	10'	56
SR1830I-23-2	4/10	115	1/60	12	2"	Solid	Snap-in	2"/3"	Tethered Automatic*	10'	56
SR1830C-23-2	4/10	115	1/60	12	2"	Solid	Cast Iron	2"/3"	Tethered Automatic*	10'	56
SR1830SA2X2	4/10	115	1/60	12	2"	Split	Snap-in	2"	Tethered Automatic*	10'	56
SR1830SC2X2	4/10	115	1/60	12	2"	Split	Cast Iron	2"	Tethered Automatic*	10'	56

*Piggyback

DIMENSIONS



PUMP PERFORMANCE



USA
293 WRIGHT STREET, DELAVAN, WI 53115 WWW.FEMEYERS.COM
PH: 888-987-8677 ORDERS FAX: 800-426-9446

CANADA
269 TRILLIUM DRIVE, KITCHENER, ONTARIO, CANADA N2G 4W5
PH: 519-606-5484 ORDERS FAX: 800-426-9446

Because we are continuously improving our products and services, Pentair reserves the right to change specifications without prior notice.