



MYERS[®]
3WHR
VORTEX SOLIDS HANDLING
WASTEWATER PUMP

MYERS® 3WHR

TECHNICAL INFORMATION



DESIGNED FOR LIGHT & MEDIUM COMMERCIAL APPLICATIONS

The 3WHR series solids handling pumps are designed primarily for commercial applications such as schools and churches, industrial plants, shopping centers, apartments and condominiums, marinas, interstate rest stops, sewage collection systems, campgrounds, motels, restaurants, office and commercial buildings, state and federal parks, hospitals and nursing homes, dewatering, trailer parks and treatment plants.

This pump can be installed with a quick-disconnect slide rail system. Its ability to handle 3-inch spherical solids makes it ideal for most light to medium commercial installations. For more information, contact your Myers distributor or the Myers sales office at 419-289-1144.

VORTEX IMPELLER DESIGN HAS COMPLETELY OPEN PASSAGE IN VOLUTE.

- Recessed design pumps stringy, fibrous waste and other difficult to pump solids with ease.
- Pumps by vortex, allowing pumping medium to pass through the volute without coming in contact with impeller.
- Operates without vibration or capitation over entire performance curve. Operates near shut-off without harming pump.

DURABLE MOTOR WILL DELIVER MANY YEARS OF RELIABLE SERVICE.

- Oil-filled motor for maximum heat dissipation and constant bearing lubrication.

Product Capabilities

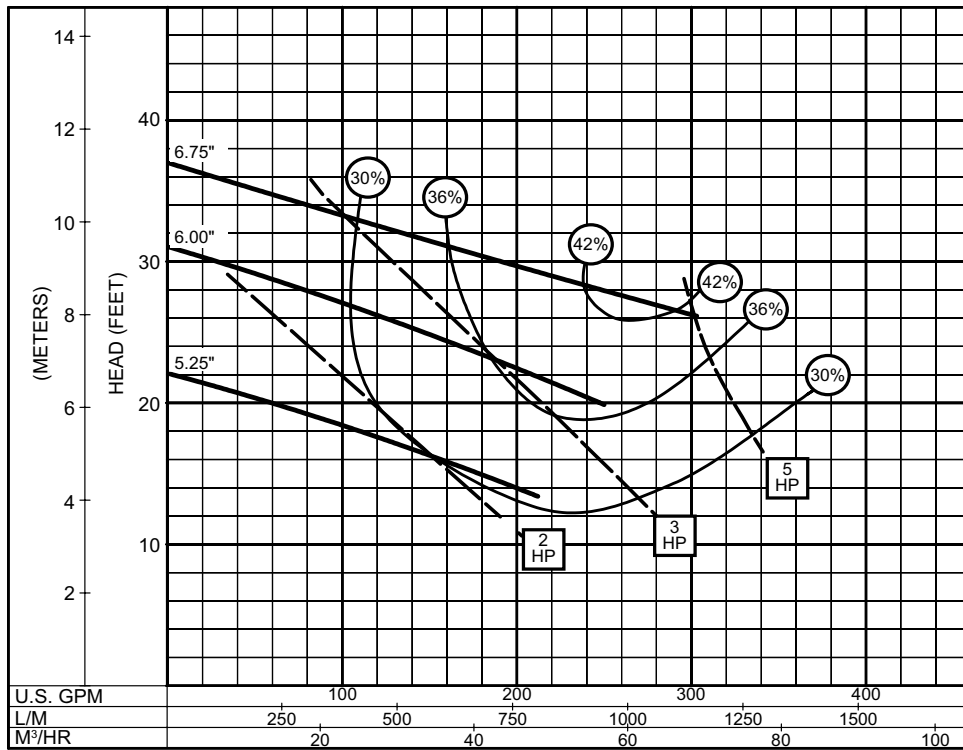
Capacities To	300 gpm	25.24 lps
Heads To	37 ft.	14.6 m
Solids Handling (dia.)	3 in.	76 mm
Liquids Handling	raw unscreened sewage, effluent, storm water	
Intermittent Liquid Temp.	up to 140°F	up to 60°C
Winding Insulation Temp. (Class B)	266°F	130°C
Motor Electrical Data (Single phase motors are capacitor start type. Myers control panels or capacitor kits are required for proper operation and warranty.)	1750 RPM 1-1/2 – 5 HP, 230V, 1Ø, 60 Hz 1-1/2 – 5 HP, 200/230/460/575V, 3Ø, 60 Hz	
Std. Third Party Approvals	CSA	
Acceptable pH Range	6 – 9	
Specific Gravity	.9 – 1.1	
Viscosity	28 – 35 SSU	
Discharge, Flanged Centerline, (Horiz. or Vert.)	3 in.	76.2 mm
Min. Sump Dia. (Duplex)	60 in.	1.5 m

NOTE: Consult factory for applications outside these recommendations.

Construction Materials

Motor Housing, Seal Housing, Cord Cap and Volute Case	cast iron, Class 30 ASTM A48
Multi-Vane Impeller	ductile iron, Class 65 ASTM A536
Power Cord	SOOW, W
Control Cord	SOOW
Mechanical Seals Standard Optional	single, type 21 carbon and ceramic tungsten, carbide
Pump, Motor Shaft	416 SST
Fasteners	300 series SST

1750 RPM PERFORMANCE CURVE



Available Models		Motor Electrical Data										
Standard	HP	Volts	Phase	Hertz	Start Amps	Full Load Amps	Service Factor Amps	Full Load kW	Start KVA	Full Load KVA	NEC Code Letter	Service Factor
3WHR15M4-21	1.5	230	1	60	72	10	12	2.0	16.6	2.3	M	1.2
3WHR15M4-03	1.5	208	3	60	51	6.6	8	2.2	18.4	2.4	N	1.2
3WHR15M4-23	1.5	230	3	60	54	5.5	7	1.8	21.5	2.2	R	1.2
3WHR15M4-43	1.5	460	3	60	27	2.8	3.5	1.8	21.5	2.2	R	1.2
3WHR15M4-53	1.5	575	3	60	18	2.2	2.8	1.8	17.9	2.2	N	1.2
3WHR20M4-21	2	230	1	60	72	12	14.4	2.5	16.6	2.8	K	1.2
3WHR20M4-03	2	208	3	60	51	8.4	9.8	2.9	18.4	3.0	L	1.2
3WHR20M4-23	2	230	3	60	54	7	8.6	2.5	21.5	2.8	M	1.2
3WHR20M4-43	2	460	3	60	27	3.5	4.3	2.5	21.5	2.8	M	1.2
3WHR20M4-53	2	575	3	60	18	2.8	3.4	2.6	17.9	2.8	K	1.2
3WHR30M4-21	3	230	1	60	106	21	26	4.5	24.4	4.8	K	1.2
3WHR30M4-03	3	208	3	60	86	15	18	5.0	30.9	5.4	M	1.2
3WHR30M4-23	3	230	3	60	52	12	15.6	4.6	20.7	4.8	H	1.2
3WHR30M4-43	3	460	3	60	26	6	7.8	4.5	20.7	4.8	H	1.2
3WHR30M4-53	3	575	3	60	25	5	6	4.6	25.1	5.0	K	1.2
3WHR50M4-21	5	230	1	60	153	34	34	6.7	35.2	7.8	H	1.0
3WHR50M4-03	5	208	3	60	140	24	24	8.0	50.4	8.6	M	1.0
3WHR50M4-23	5	230	3	60	125	21	21	7.6	49.7	8.4	L	1.0
3WHR50M4-43	5	460	3	60	62	10.5	10.5	7.6	49.3	8.4	L	1.0
3WHR50M4-53	5	575	3	60	45	8.4	8.4	7.6	44.8	8.4	K	1.0

Motor Efficiencies and Power Factor									
HP	Phase	Motor Efficiency %				Power Factor %			
		Service Factor Load	100% Load	75% Load	50% Load	Service Factor Load	100% Load	75% Load	50% Load
1.5	1	69	68	65	59	69	67	61	48
1.5	3	71	65	59	49	79	69	62	53
2	1	73	73	71	68	70	70	63	50
2	3	72	69	65	58	83	77	70	60
3	1	70	70	67	59	51	69	49	45
3	3	74	73.5	69.5	61.5	72	72	62.5	52
5	1	70	70	69	65	51	62	50	47
5	3	74	74	72	67	72	75	64	58

ADVANTAGES BY DESIGN

CABLE ENTRY SYSTEM

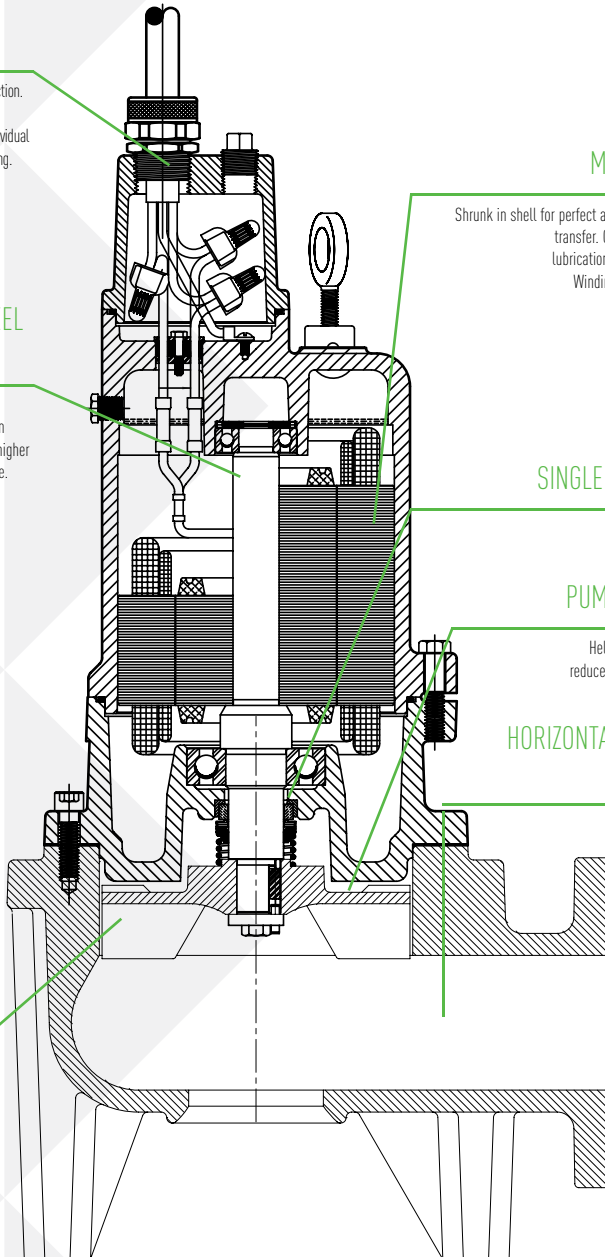
Provides double seal protection. Cable jacket sealed by compression grommet. Individual wires sealed by epoxy potting.

STAINLESS STEEL SHAFT

Prevents deflection from impeller radial loads when pump operates at heads higher than peak efficiency range.

VORTEX IMPELLER

Recessed multi-vane impeller.



MOTOR STATOR

Shrunk in shell for perfect alignment and best heat transfer. Oil-filled for continuous lubrication of bearings and seals. Winding insulation is Class F.

SINGLE SHAFT SEALS

Protect motor.

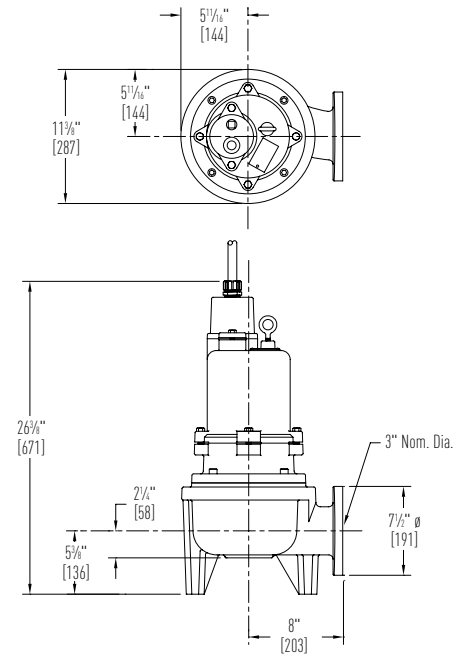
PUMP-OUT VANES

Help keep trash from seal, reduce pressure at seal faces.

HORIZONTAL DISCHARGE VOLUTE CASE

3" flanged.

DIMENSIONS (Dimensions in mm)



1101 MYERS PARKWAY,
ASHLAND, OHIO 44805
PH: 855-274-8948
WWW.FEMYERS.COM

490 PINEBUSH ROAD, UNIT 4, CAMBRIDGE,
ONTARIO, CANADA N1T 0A5
PH: 800-387-4386 ORDERS FAX: 888-606-5484
WWW.FEMYERS.COM

Because we are continuously improving our products and services, Pentair reserves the right to change specifications without prior notice.
M-02-4010 08/07/17 © 2017 Pentair plc. All Rights Reserved.