



MYERS[®]
4WHR
4" VORTEX SOLIDS HANDLING
WASTEWATER PUMP

MYERS® 4WHR

TECHNICAL INFORMATION



IDEAL FOR MOST LIGHT TO MEDIUM COMMERCIAL INSTALLATIONS

The 4WHR series solids handling pumps are designed primarily for commercial applications such as schools and churches, industrial plants, shopping centers, apartments and condominiums, marinas, interstate rest stops, sewage collection systems, campgrounds, motels, restaurants, office and commercial buildings, state and federal parks, hospitals and nursing homes, dewatering, trailer parks and treatment plants. This pump can be installed with a quick-disconnect slide rail system. Its ability to handle 3-inch spherical solids makes it ideal for most light to medium commercial installations.

VORTEX IMPELLER DESIGN HAS COMPLETELY OPEN PASSAGE IN VOLUTE.

- Recessed design pumps stringy, fibrous waste and other difficult to pump solids with ease.
- Pumps by vortex, allowing pumping medium to pass through the volute without coming in contact with impeller.
- Operates without vibration or cavitation over entire performance curve. Operates near shut-off without harming pump.

DURABLE MOTOR WILL DELIVER MANY YEARS OF RELIABLE SERVICE.

- Oil-filled motor for maximum heat dissipation and constant bearing lubrication.
- Heat sensor thermostats embedded in windings protect motor from overheat conditions.
- Seal leak probe in seal chamber warns of moisture entry; helps prevent costly motor burnout.

Product Capabilities

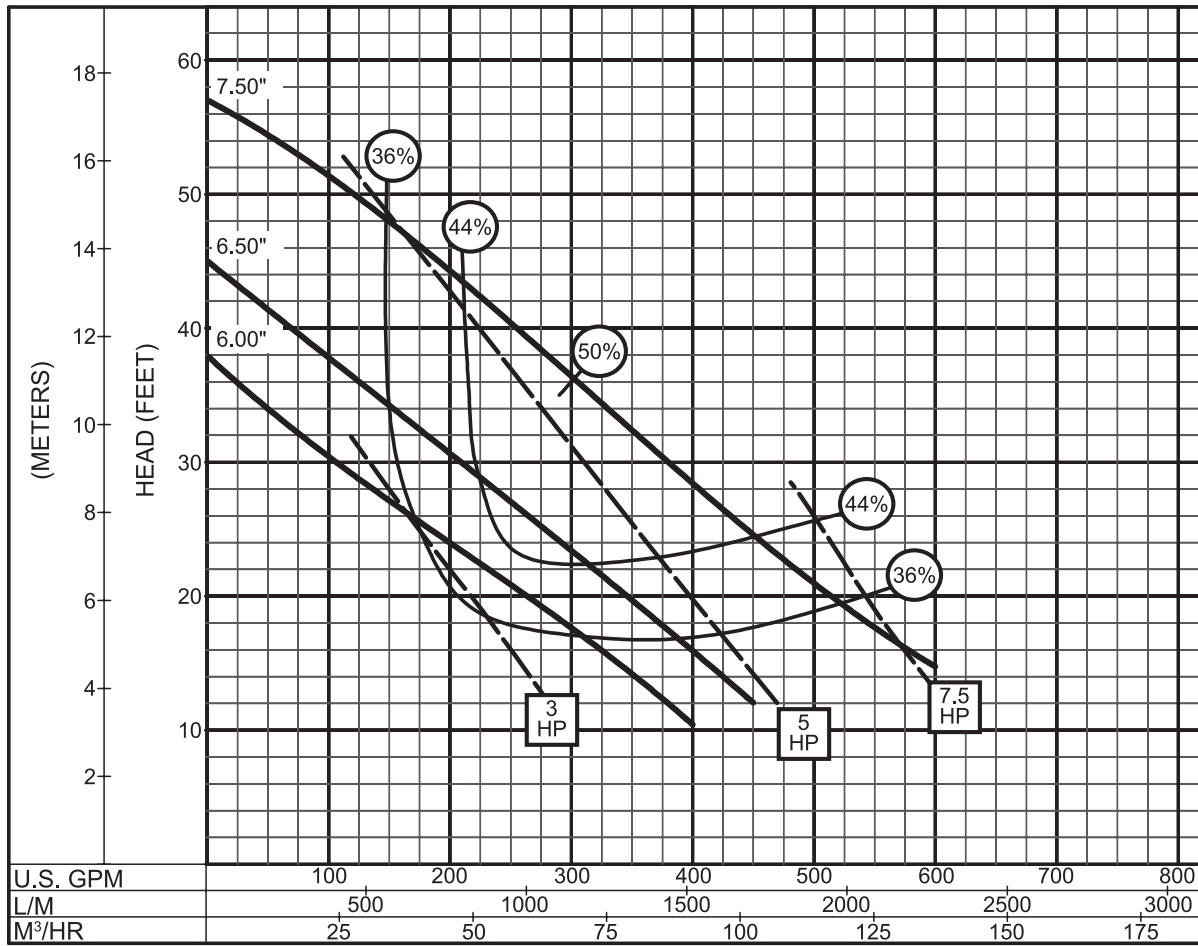
Capacities To	600 gpm	45.5 lps
Heads To	57 ft.	17.9 m
Solids Handling (dia.)	3 in.	76 mm
Liquids Handling	raw unscreened sewage, effluent, storm water	
Intermittent Liquid Temp.	up to 140°F	up to 60°C
Winding Insulation Temp. (Class F)	311°F	155°C
Motor Electrical Data (Single phase motors are capacitor start type. Myers control panels or capacitor kits are required for proper operation and warranty.)	1750 RPM 3 – 5 HP, 230V, 1Ø, 60 Hz 3 – 7-1/2 HP, 208/230/460/575V, 3Ø, 60 Hz	
Std. Third Party Approvals	CSA	
Acceptable pH Range	6 – 9	
Specific Gravity	.9 – 1.1	
Viscosity	28 – 35 SSU	
Discharge, Flanged Centerline (Horizontal or Vertical)	4 in.	101.6 mm
Min. Sump Dia. (Duplex)	60 in.	1.5 m

NOTE: Consult factory for applications outside these recommendations.

Construction Materials

Motor Housing, Seal Housing, Cord Cap and Volute Case	cast iron, Class 30, ASTM A48
Multi-Vane Impeller	ductile iron, Class 65, ASTM A536
Power Cord	SOOW, W
Control Cord	SOOW
Mechanical Seals Standard Optional	double tandem, type 21 carbon and ceramic tungsten, carbide
Pump, Motor Shaft	416 SST
Fasteners	300 series SST
Wear Ring	brass

1750 RPM PERFORMANCE CURVE

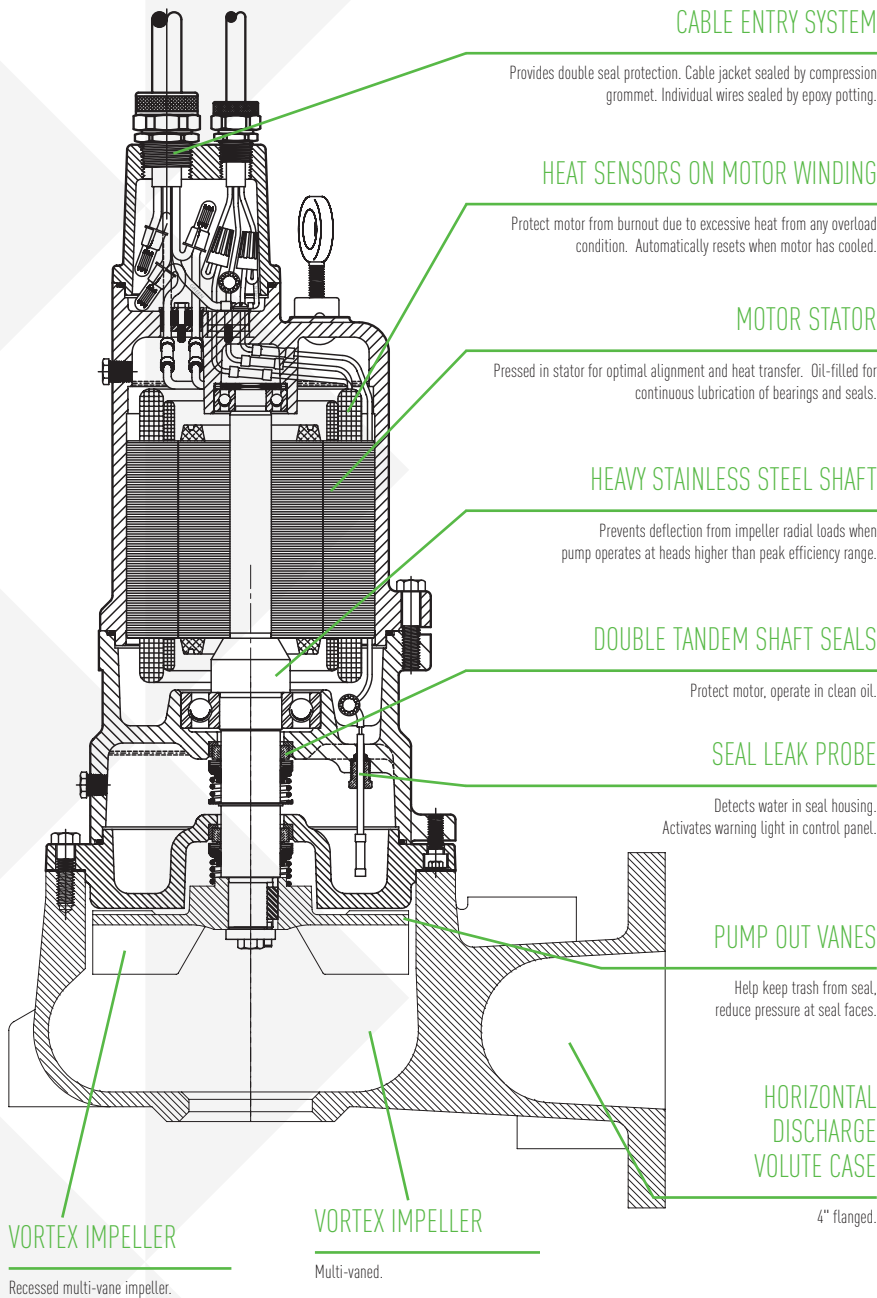


Pump performance is based on clear water (1.0 specific gravity @ 68°F) and pump fluid end (hydraulic) efficiency. Motor data based on 40°C ambient temperature.

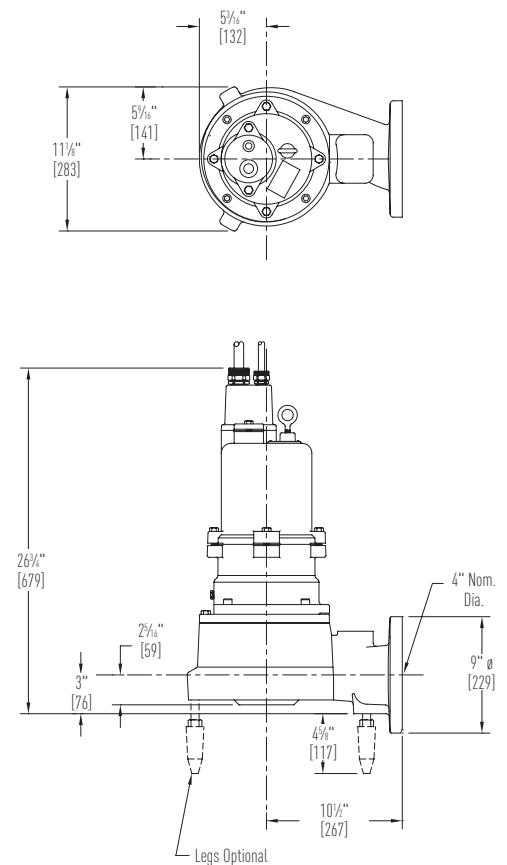
Available Models					Motor Electrical Data							
Standard	HP	Volts	Phase	Hertz	Start Amps	Full Load Amps	Service Factor Amps	Full Load KW	Start KVA	Full Load KVA	NEC Code Letter	Service Factor
4WHR30M4-21	3	230	1	60	106	17.5	21	4.5	24.4	4.8	K	1.2
4WHR30M4-03	3	208	3	60	86	15	18	5.0	30.9	5.4	M	1.2
4WHR30M4-23	3	230	3	60	52	12	14.4	4.6	20.7	4.8	H	1.2
4WHR30M4-43	3	460	3	60	26	6	7.2	4.5	20.7	4.8	H	1.2
4WHR30M4-53	3	575	3	60	25	5	6	4.6	25.1	5.0	K	1.2
4WHR50M4-21	5	230	1	60	153	34	41	6.7	35.2	7.8	H	1.2
4WHR50M4-03	5	208	3	60	140	21.6	26	8.0	50.4	8.6	M	1.2
4WHR50M4-23	5	230	3	60	125	18	21.6	7.6	49.7	8.4	L	1.2
4WHR50M4-43	5	460	3	60	62	9	10.8	7.6	49.3	8.4	L	1.2
4WHR50M4-53	5	575	3	60	45	7.2	8.6	7.6	44.8	8.4	K	1.2
4WHR75M4-03	7.5	208	3	60	221	32.2	37	10.2	79.5	11.6	M	1.2
4WHR75M4-23	7.5	230	3	60	164	28	32	9.7	65.3	11.1	K	1.2
4WHR75M4-43	7.5	460	3	60	82	14	16	9.7	65.3	11.1	K	1.2
4WHR75M4-53	7.5	575	3	60	75	11.2	13	7.6	74.6	11.1	L	1.2

Motor Efficiencies and Power Factor									
HP	Phase	Motor Efficiency %				Power Factor %			
		Service Factor Load	100% Load	75% Load	50% Load	Service Factor Load	100% Load	75% Load	50% Load
3	1	73	73	70	63	88	85	80	70
3	3	74	73.5	69.5	61.5	73	70.5	62.5	52
5	1	67.5	68	65	56	83	81	73	62.5
5	3	75	76	76	71	86	83	76	65
7.5	3	75	75	72.5	65	77	72	62	49.5

ADVANTAGES BY DESIGN



DIMENSIONS [Dimensions in mm]



1101 MYERS PARKWAY
ASHLAND, OHIO 44805
PH: 855-274-8947
WWW.FEMYERS.COM

490 PINEBUSH ROAD, UNIT 4
CAMBRIDGE, ONTARIO, CANADA N1T 0A5
PH: 800-363-7867
WWW.FEMYERS.COM

Because we are continuously improving our products and services, Pentair reserves the right to change specifications without prior notice.
M-02-4020 05/04/17 © 2017 Pentair plc. All Rights Reserved.