



MYERS®

**WG30H-75H AND WGX30H-75H
STANDARD (WG30H-75H) AND
HAZARDOUS LOCATION (WGX30H-75H),
3-7 1/2 HP, HIGH HEAD SUBMERSIBLE
GRINDER PUMPS**

MYERS® WG30H-75H AND WGX30H-75H TECHNICAL INFORMATION

DESIGNED FOR RESIDENTIAL, COMMERCIAL & INDUSTRIAL APPLICATIONS

MYERS WG30H-75H are rugged 3-7 1/2 horsepower submersible centrifugal grinder pumps designed for residential, commercial or industrial applications. They are especially suited for use in pressure sewer applications or in systems with long discharge runs or high static heads. The WG30H-75H features a heavy duty cutter mechanism and recessed impeller design to efficiently grind typical sewage solids into a fine slurry.

The WG30H-75H grinder pumps are available in standard and FM listed hazardous location (WGX30H-75H), construction for use in Class 1, Group D hazardous locations.

WG30H-75H grinder pumps can be installed in a variety of packaged systems. Factory-assembled simplex or duplex packages with guide rail systems are available. Individual rail components are also available for installation in onsite concrete systems. MYERS offers a complete line of submersible sump, sewage, effluent, grinder, solids handling wastewater pumps, controls, basins and accessories. For additional information, please contact your local MYERS representative or the MYERS sales office at 419-281-1144.

IDEAL FOR USE IN PRESSURE SEWER SYSTEMS.

- Recessed impeller provides steep non-overloading operating curve.

DURABLE MOTOR WILL DELIVER MANY YEARS OF RELIABLE SERVICE.

- Oil-filled motor for maximum heat dissipation and constant bearing lubrication.
- Recessed impeller reduces radial bearing loads; increases bearing life.
- High torque capacitor start/run single phase or three phase motors for assured starting under heavy load.
- Seal leak probes and on-winding heat sensors warn of seal leak condition and stop motor if motor overheats. Helps prevent costly motor damage.

THE WG30H-75H SERIES IS DESIGNED FOR EASY MAINTENANCE.

- Shredding ring and grinder impeller are replaceable without dismantling pump or motor.



Product Capabilities

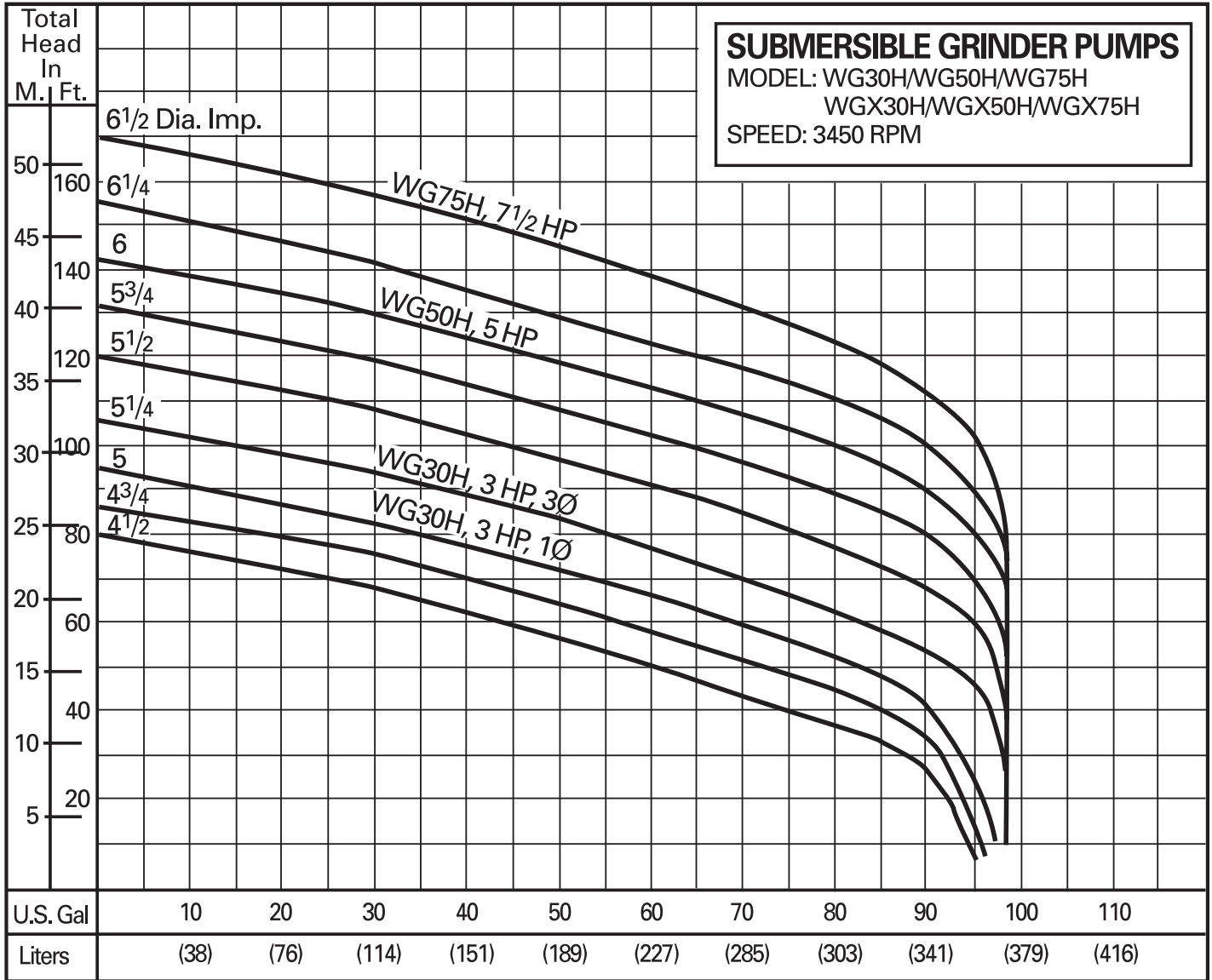
Capacities To	98 gpm	371 lpm
Heads To	170 ft.	52.0 m
Liquids Handling	domestic raw sewage	
Intermittent Liquid Temp.	up to 140°F	up to 60°C
Winding Insulation Temp. (Class F)	311°F	155°C
Motor Electrical Data (Single phase motors are capacitor start type. MYERS control panels or capacitor kits are recommended for proper operation and warranty.)	3450 RPM, 60 Hz 3 – 5 HP, 230V, 1Ø 3 – 7½ HP, 200, 230, 460V, 575V, 3Ø	
Third Party Approvals Optional Approvals	CSA FM, Class 1, Group D (WGX30H-75H)	
Acceptable pH Range	6 – 9	
Specific Gravity	.9 – 1.1	
Viscosity	28 – 35 SSU	
Discharge	2½ in.	63.5 mm
Min. Sump Dia. (Simplex) (Duplex)	36 in. 48 in.	91.4 cm 121.9 cm

NOTE: Consult factory for applications outside of these recommendations.

Construction Materials

Motor Housing, Seal Housing, Cord Cap and Volute Case	cast iron, Class 30, ASTM A48
Impeller	recessed, bronze
Power Cord	SOOW, W
Control Cord	SOOW
Mechanical Seals Standard Optional	dbl. tandem carbon & ceramic lower tungsten carbide
Pump, Motor Shaft	416 SST
Fasteners	300 Series SST
Shredding Ring Grinder Impeller	440 SST 58-60 Rockwell

PERFORMANCE CURVE



Available Models		Motor Electrical Data										
Standard	Hazardous Location	HP	Volts	Phase	Hertz	Start Amps	Run Amps	Run kW	Start KVA	Run KVA	NEC Code Letter	Service Factor
WG30H-21-25	WG30H-21-25	3	230	1	60	82	21.0	4.3	41.9	4.8	G	1.4
WG30H-03-25	WG30H-03-25	3	200	3	60	69	15.0	4.3	23.9	5.2	J	1.4
WG30H-23-25	WG30H-23-25	3	230	3	60	53	13.0	4.3	21.1	5.2	H	1.4
WG30H-43-25	WG30H-43-25	3	460	3	60	26	6.5	4.3	20.7	5.2	H	1.4
WG30H-53-25	WG30H-53-25	3	575	3	60	21	5.2	4.3	21.0	5.2	H	1.4
WG50H-21-25	WG50H-21-25	5	230	1	60	122	32	6.3	28.1	7.4	G	1.7
WG50H-03-25	WG50H-03-25	5	200	3	60	90	21.6	6.3	31.1	7.5	G	1.7
WG50H-23-25	WG50H-23-25	5	230	3	60	78	18.8	6.3	27.0	7.5	G	1.7
WG50H-43-25	WG50H-43-25	5	460	3	60	39	9.4	6.3	31.0	7.5	G	1.7
WG50H-53-25	WG50H-53-25	5	575	3	60	31	7.5	6.3	31.0	7.5	G	1.7
WG75H-03-25	WG75H-03-25	7.5	200	3	60	90	25.8	7.9	31.1	8.9	D	1.15
WG75H-23-25	WG75H-23-25	7.5	230	3	60	78	22.4	7.9	27.0	8.9	D	1.15
WG75H-43-25	WG75H-43-25	7.5	460	3	60	39	11.2	7.9	31.0	8.9	D	1.15
WG75H-53-25	WG75H-53-25	7.5	575	3	60	31	9.0	7.9	31.0	8.9	D	1.15

ADVANTAGES BY DESIGN

STATOR

3450 RPM, 1 and 3 phase. Press fit for perfect alignment and best heat transfer. Oil-filled motor conducts heat and lubricates bearings.

CABLE ENTRY SYSTEM

Provides double seal protection. Cable jacket sealed by compression grommet. Individual wires sealed by epoxy potting.

HEAT SENSOR

Protects motor from burnout due to excessive heat from any overload condition. Automatically resets when motor has cooled.

BALL BEARINGS

Upper and lower ball bearings support shaft and rotor and take axial and radial loads.

HEAVY 416 SST SHAFT

Corrosion resistant. Reduces shaft deflection due to grinding loads.

SHAFT SEALS

Double tandem mechanical shaft seals protect motor. Oil-filled seal chamber provides continuous lubrication.

SLEEVE BEARING

Takes radial load; provides flame path. (FM listed pumps only.)

SEAL LEAK PROBE

Detects water in seal housing, activates warning light in control panel. (Test resistor on FM listed models.)

VOLUTE CASE

Cast iron, horizontal discharge. (Drilled for 2½" pipe flange.)

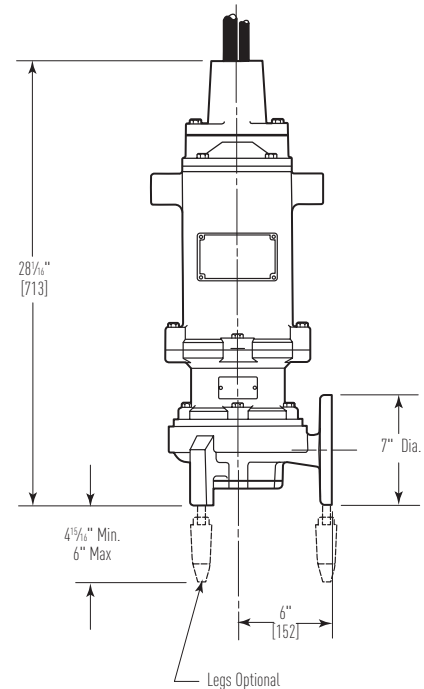
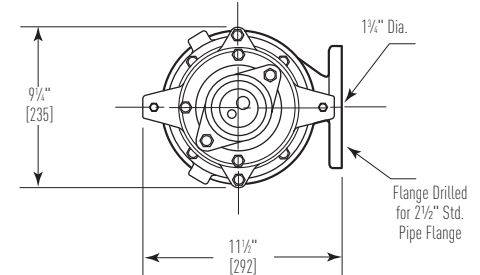
GRINDER ASSEMBLY

Grinder impeller and shredding ring are replaceable without dismantling pump. Constructed of 440 SST hardened to 56-60 Rockwell.

IMPELLER

Bronze recessed impeller handles ground slurry without clogging or binding. Provides unobstructed flow passage. Reduces radial loads. Pump-out vanes help keep trash from seal, reduce pressure at seal faces.

DIMENSIONS [Dimensions in mm]



740 EAST 9TH STREET,
ASHLAND, OHIO 44805
WWW.FEMYERS.COM

269 TRILLIUM DRIVE, KITCHENER,
ONTARIO, CANADA N2G 4W5
WWW.FEMYERS.COM

Because we are continuously improving our products and services, Pentair reserves the right to change specifications without prior notice.
K3426 01/30/13 © 2013 Pentair Ltd. All Rights Reserved.