



MYERS[®]
WGL20 SERIES
2 HP GRINDER PUMPS FOR RESIDENTIAL
AND PRESSURE SEWER APPLICATIONS



MYERS® MODEL WGL20

Submersible Grinder Pumps

The Right Choice

The Myers WGL20 Series are versatile 2 HP submersible grinder pumps designed specifically for use in pressure sewer applications with long discharge runs or high static heads. It features a patented cutter mechanism and recessed impeller design to effectively macerate typical domestic sewage solids into a fine slurry.

The WGL20 Series can be installed in a variety of packaged systems. Factory-assembled simplex or duplex packages with guide rail systems or suspended systems are available. Myers also has complete turn-key systems to make selection simple. Individual rail components are also available for installation in on-site concrete systems. Myers offers a complete line of submersible sump, sewage, effluent, grinder, solids handling wastewater pumps, controls, basins, and accessories. For additional information, please contact your local Myers representative or the Myers Ashland, Ohio sales office at 419-289-1144.



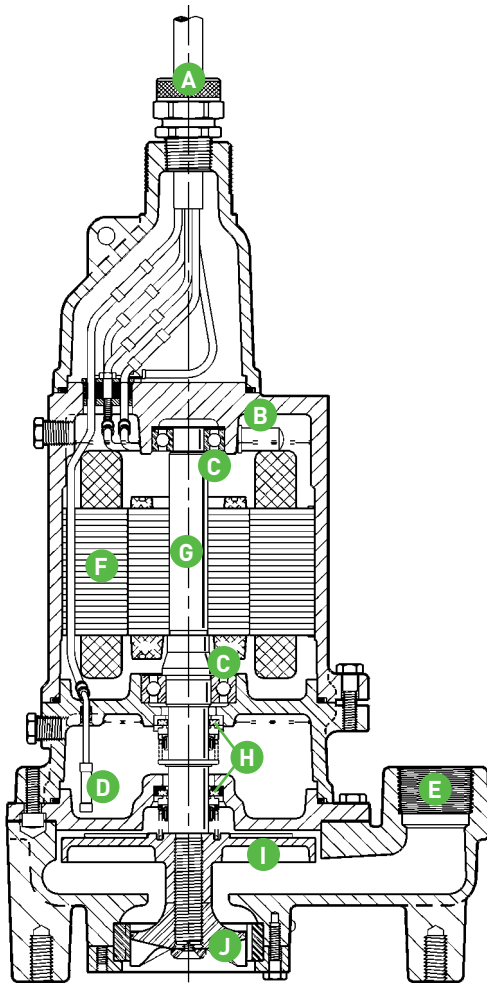
Product Capabilities		
Capacities To	70 gpm	260 lpm
Heads To	130 ft.	40.0 m
Liquids Handling	domestic raw sewage	
Intermittent Liquid Temp.	up to 140°F	up to 60°C
Winding Insulation Temp. (Class F)	311°F	155°C
Motor Electrical Data <small>(Single phase motors are capacitor start type. Myers control panels or capacitor kits are recommended for proper operation and warranty.)</small>	2 HP, 3450 RPM 1 ph – capacitor start/run. 208 or 230 volts; 60 Hz 3 ph – induction run 200, 230, 460, 575 volts, 60 Hz	
Std. Third Party Approvals*	CSA, UL	
Acceptable pH Range	6 – 9	
Specific Gravity	.9 – 1.1	
Viscosity	28 – 35 SSU	
Discharge (Flange Dia.)	1-1/4 in.	31.75 mm
Min. Sump Diameter		
Simplex	24 in.	61.0 cm
Duplex	36 in.	91.4 cm

Construction Materials	
Motor Housing, Seal Housing, Cord Cap and Volute Case	cast iron, Class 30, ASTM A48
Impeller	recessed, cast iron
Power Cord	20' S00W
Mechanical Seals:	
Standard	double tandem carbon and ceramic
Optional	lower tungsten carbide
Pump, Motor Shaft	416 SST
Fasteners	300 Series SST
Shredding Ring, Grinding Impeller	440 SST, 58-60 Rockwell

Note: Consult factory for applications outside these recommendations.

*Models with third party approval(s) are clearly marked on individual pump nameplates.

Pump Features and Applications



A. Cable Entry System

Provides double seal protection. Cable jacket sealed by compression fitting. Individual wires sealed by compression grommet. Power cord can be replaced without disturbing motor.

B. Heat Sensor

(1 phase only.) Protects motor from burnout due to excessive heat from any overload condition. Automatically resets when motor has cooled.

C. Ball Bearings

Upper and lower ball bearings support shaft and rotor and take axial and radial loads.

D. Seal Leak Probe (Optional)

Detects water in seal housing, activates warning light in control panel.

E. Volute Case

Cast iron 1-1/4" NPT vertical flanged discharge.

F. Stator

2 HP, 3450 RPM, 1 and 3 phase. Press fit for perfect alignment and best heat transfer. Oil-filled motor conducts heat and lubricates bearings.

G. Heavy 416 SST Shaft

Corrosion resistant. Reduces shaft deflection due to grinding loads.

H. Shaft Seals

Double tandem mechanical shaft seals protect motor. Oil-filled seal chamber provides continuous lubrication.

I. Impeller

Cast iron recessed impeller handles ground slurry without clogging or binding. Provides unobstructed flow passage. Reduces radial loads. Pump-out vanes help keep trash from seal, reduces pressure at seal faces.

J. Grinder Assembly

Grinder impeller and shredding ring are replaceable without dismantling pump. Constructed of 440 SST hardened to 56-60 Rockwell.

Ideal for Use in Pressure Sewer Systems.

- Choice of standard, high head or high flow designs.
- Recessed impeller provides steep non-overloading operating curve.

Durable Motor Will Deliver Many Years of Reliable Service.

- Oil-filled motor for maximum heat dissipation and constant bearing lubrication.
- Recessed impeller reduces radial bearing loads, increases bearing life.
- High torque capacitor start/run single phase or three phase motors for assured starting under heavy load.
- Optional seal leak probe warns of seal leak condition, helps prevent costly motor damage.
- Single phase motors have on-winding current and temperature sensitive overload.

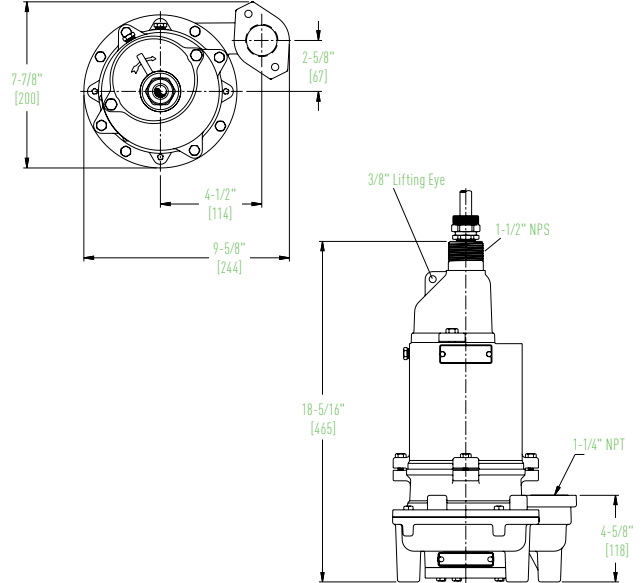
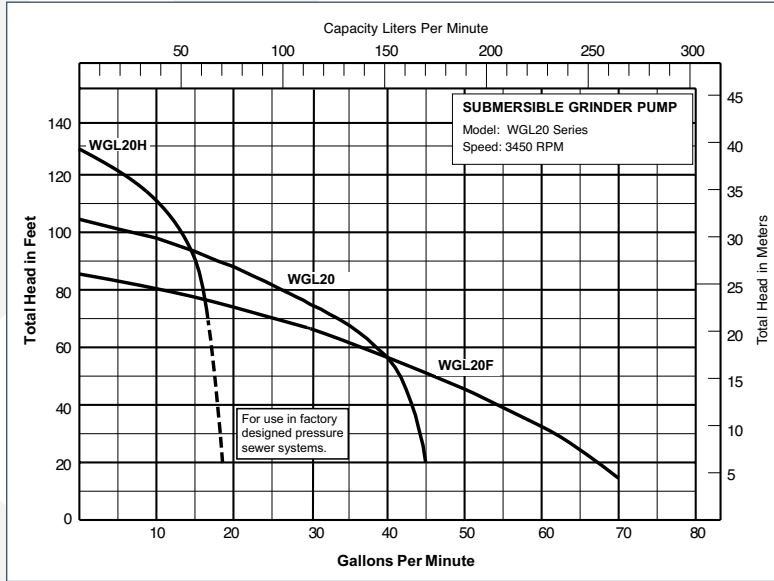
The WGL20 Series is Designed for easy maintenance.

- Shredding ring and grinder impeller are replaceable without dismantling pump or motor.

Performance Data and Dimensions

[Dimensions in mm]

3450 RPM



Available Models		Motor Electrical Data									
Standard	HP	Volts	Phase	Hertz	Start Amps	Run Amps	Run kW	Start KVA	Run KVA	NEC Code Letter	Service Factor
WGL20-01	2	200	1	60	50.0	15.0	2.8	10.0	3.0	F	1.25
WGL20-01(LD)	2	200	1	60	50.0	15.0	2.8	10.0	3.0	F	1.25
WGL20-03	2	200	3	60	30.0	9.7	2.9	10.4	3.3	F	1.25
WGL20-21	2	230	1	60	44.0	12.0	2.8	10.1	2.8	F	1.25
WGL20-21(LD)	2	230	1	60	44.0	12.0	2.8	10.1	2.8	F	1.25
WGL20-23	2	230	3	60	27.5	8.4	2.9	11.0	3.3	F	1.25
WGL20-23(LD)	2	230	3	60	27.5	8.4	2.9	11.0	3.3	F	1.25
WGL20-43	2	460	3	60	13.8	4.2	2.9	11.0	3.3	F	1.25
WGL20-43(LD)	2	460	3	60	13.8	4.2	2.9	11.0	3.3	F	1.25
WGL20-53	2	575	3	60	11.0	3.4	2.9	11.0	3.3	F	1.25
WGL20H-01	2	200	1	60	50.0	15.0	2.8	10.0	3.0	F	1.25
WGL20H-03	2	200	3	60	30	9.7	2.9	10.4	3.3	F	1.25
WGL20H-21	2	230	1	60	44.0	12.0	2.8	10.1	2.8	F	1.25
WGL20H-01(LD)	2	200	1	60	50.0	15.0	2.8	10.0	3.0	F	1.25
WGL20H-21(LD)	2	230	1	60	44.0	12.0	2.8	10.1	2.8	F	1.25
WGL20H-23	2	230	3	60	30.0	8.4	2.9	10.4	3.3	F	1.25
WGL20H-23(LD)	2	230	3	60	30.0	8.4	2.9	10.4	3.3	F	1.25
WGL20H-43	2	460	3	60	13.8	4.2	2.9	11.0	3.3	F	1.25
WGL20H-43(LD)	2	460	3	60	13.8	4.2	2.9	11.0	3.3	F	1.25
WGL20F-01	2	200	1	60	50.0	15.0	2.8	10.0	3.0	F	1.25
WGL20F-03	2	200	3	60	30	9.7	2.9	10.4	3.3	F	1.25
WGL20F-21	2	230	1	60	44.0	12.0	2.8	10.1	2.8	F	1.25
WGL20F-01(LD)	2	200	1	60	50.0	15.0	2.8	10.0	3.0	F	1.25
WGL20F-21(LD)	2	230	1	60	44.0	12.0	2.8	10.1	2.8	F	1.25
WGL20F-23	2	230	3	60	30.0	8.4	2.9	10.4	3.3	F	1.25
WGL20F-23(LD)	2	230	3	60	30.0	8.4	2.9	10.4	3.3	F	1.25
WGL20F-43	2	460	3	60	13.8	4.2	2.9	11.0	3.3	F	1.25
WGL20F-43(LD)	2	460	3	60	13.8	4.2	2.9	11.0	3.3	F	1.25

NOTE: Minimum impeller diameter available is 3-3/4".



740 EAST 9TH STREET,
ASHLAND, OHIO 44805
WWW.FEMYERS.COM

269 TRILLIUM DRIVE, KITCHENER,
ONTARIO, CANADA N2G 4W5
WWW.FEMYERS.COM

Because we are continuously improving our products and services, Pentair reserves the right to change specifications without prior notice.
K3140 1/15/13 © 2013 Pentair Ltd. All Rights Reserved.