

Panel Wiring Diagram Model DAX1 IR2 RO YPGW

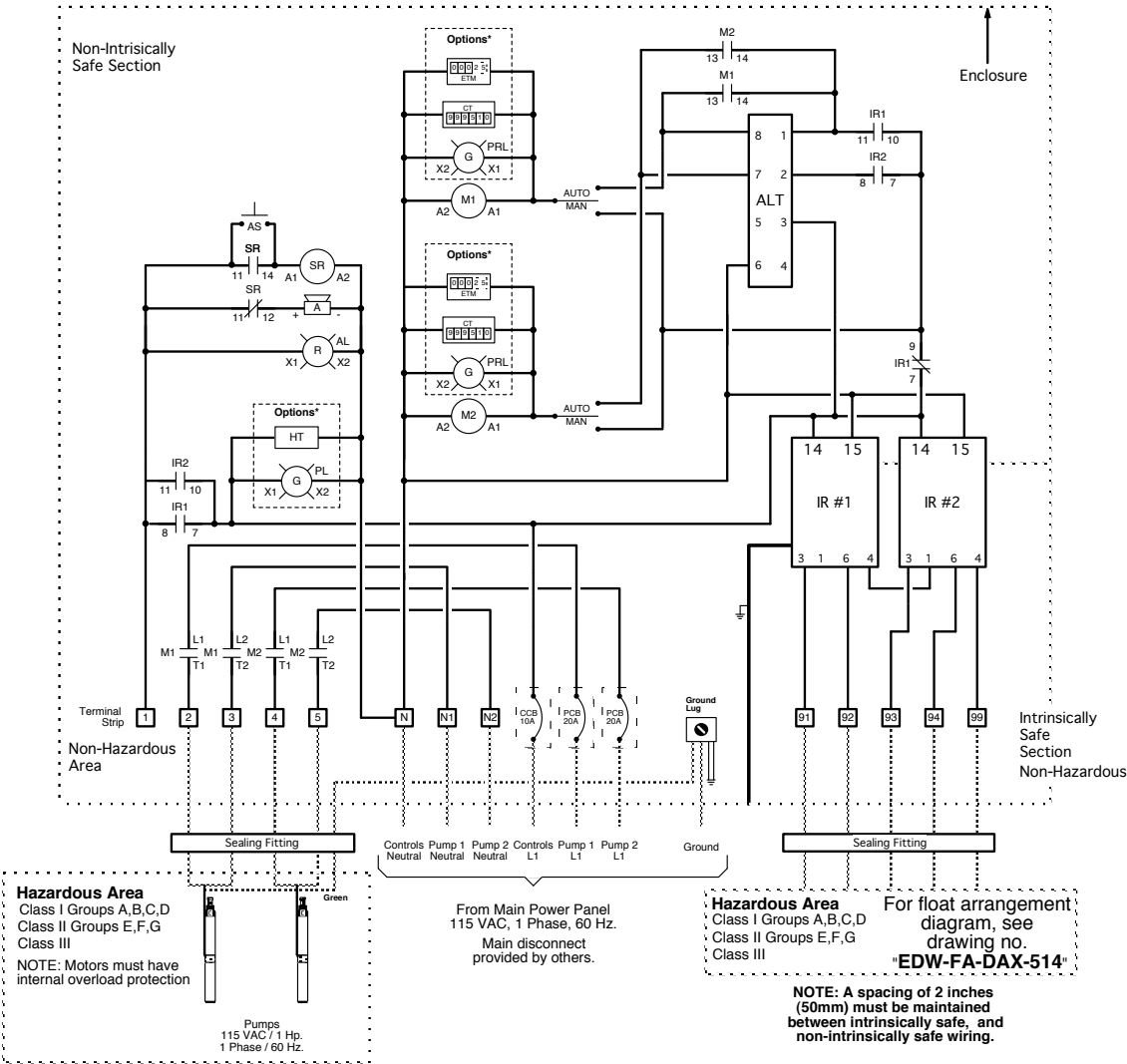


Oreco Systems®
Incorporated

814 AIRWAY AVENUE
SUTHERLIN, OREGON
97479-9012

TELEPHONE:
(541) 459-4449

FACSIMILE:
(541) 459-2884



Duplex Operation

High Level Alarm: This float activates the alarm light and audible alarm when lifted. The audible alarm may be silenced by pressing the illuminated PUSH TO SILENCE button on the front of the control panel. The alarm light will remain on until the float is lowered.

Lag Pump On: This float turns on the lag pump when lifted. The pump will continue to run until the Pumps Off float is lowered.

Lead Pump On & Pumps Off: This float turns on the lead pump when lifted. This float turns off the pumps when lowered.

Redundant Off & Low Level Alarm: This float turns off the pump(s) when lowered. This is a secondary off float which will operate if the Pumps Off float fails. Pumping will be disabled in both the automatic and manual modes. This float also activates the alarm light and audible alarm. The audible alarm may be silenced by pressing the illuminated PUSH TO SILENCE button on the front of the control panel. The alarm light will remain on until the float is lifted.

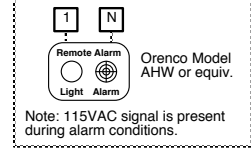
Key

- = Factory Wire
- = Field Wire
- - = Alternate Field Wire
- A = Audio Alarm, 115 VAC
- AL = Alarm Light
- ALT = Duplex Alternator
- AS = Audio Silence Switch
- CCB = Controls Circuit Breaker
- IR = Intrinsically Safe Relay
- M = Motor Contactor
- PCB = Pump Circuit Breaker
- SR = Silence Control Relay
- TL = Terminal Link

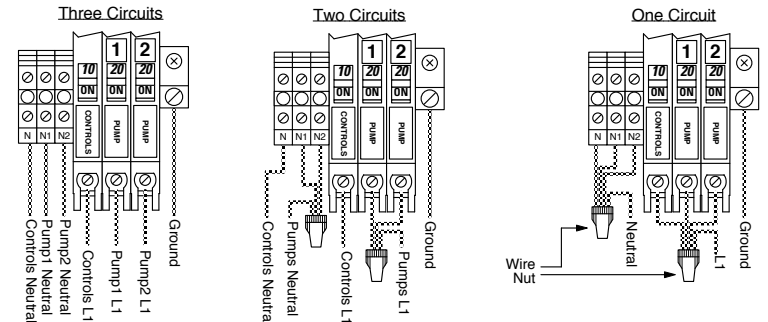
*Options

- CT = Cycle Counter
- ETM = Elapsed Time Meter
- HT = Heater
- PL = Power Light
- PRL = Pump Run Light

Remote Alarm Connections



Power Wiring Options



Factory default.
Wire as shown.

Use one wire nut to connect the pole of each pump circuit breaker together with the incoming L1 power line. Use another wire nut to connect the neutral block of each pump with the incoming neutral line.

Use one wire nut to connect the pole of each pump circuit breaker together with the controls breaker and with the incoming L1 power line. Use another wire nut to connect the neutral block of each pump with the controls neutral block and with the incoming neutral line.