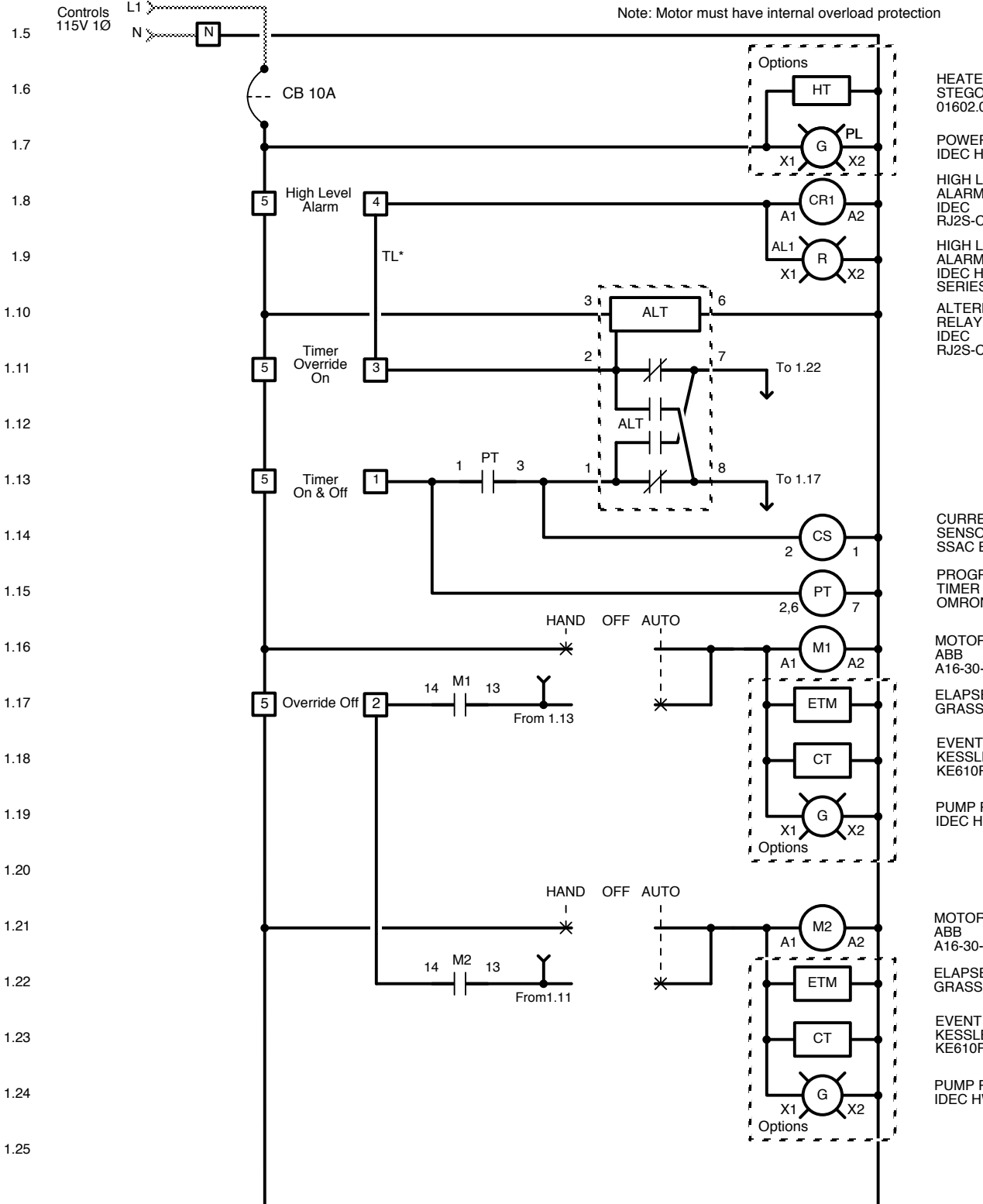
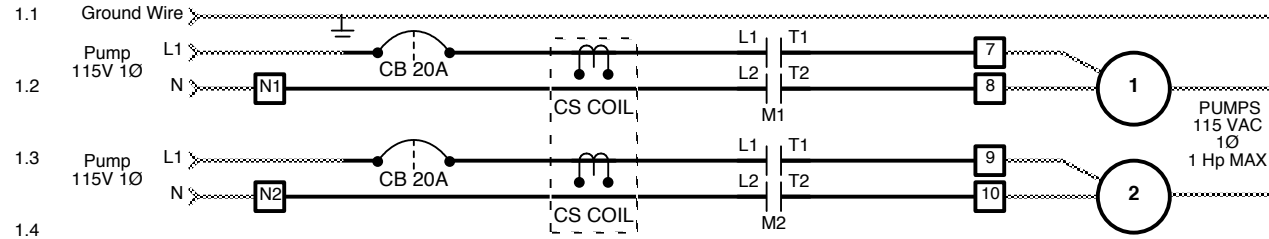


Panel Wiring Diagram Model DAX1 PT CS(a)

From Main Power Panel
115 VAC, 1 Phase, 60 Hz.
Main disconnect
provided by others.

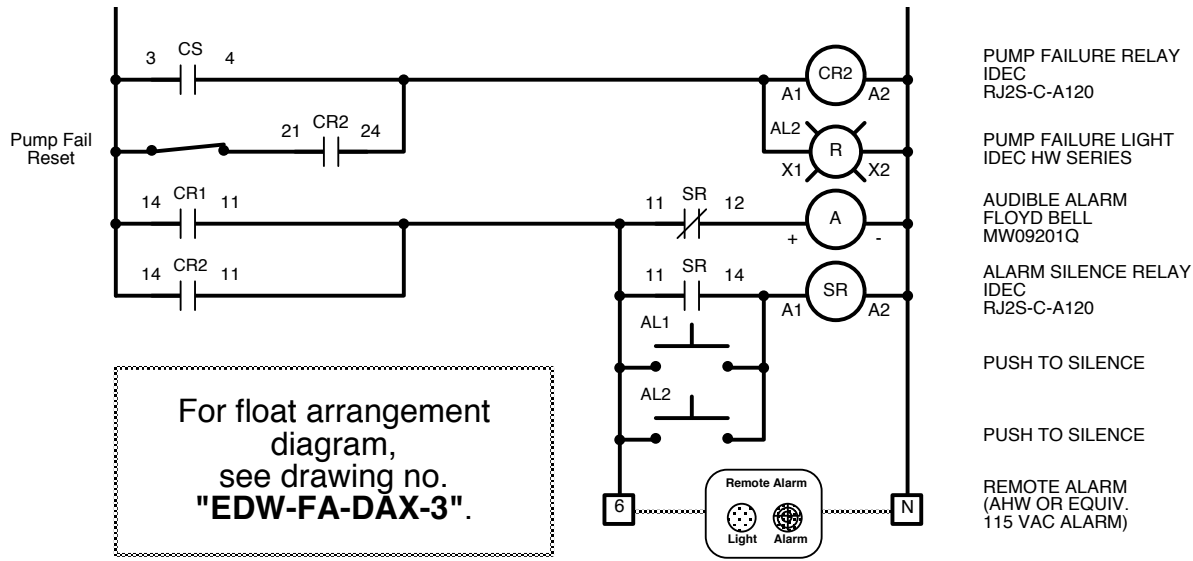
— = Factory Wire
- - - = Field Wire



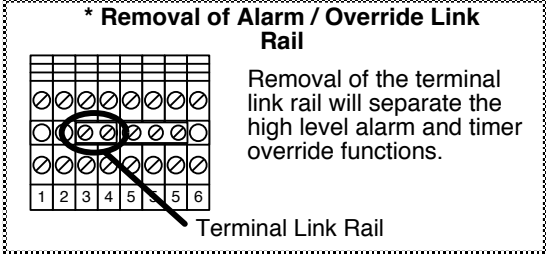
Note: Motor must have internal overload protection

- HEATER
STEGO
01602.0-09
- POWER LIGHT
IDEC HW SERIES
- HIGH LEVEL
ALARM RELAY
IDEC
RJ2S-C-A120
- HIGH LEVEL
ALARM LIGHT
IDEC HW
SERIES
- ALTERNATING
RELAY
IDEC
RJ2S-C-A120
- CURRENT
SENSOR
SSAC ECS41BC
- PROGRAMMABLE
TIMER
OMRON HC3R-F8
- MOTOR CONTACTOR
ABB
A16-30-10-84
- ELAPSED TIME METER
GRASSLIN UWZ48120V
- EVENT COUNTER
KESSLER-ELLIS
KE610RB10AC120
- PUMP RUN LIGHT
IDEC HW SERIES
- MOTOR CONTACTOR
ABB
A16-30-10-84
- ELAPSED TIME METER
GRASSLIN UWZ48120V
- EVENT COUNTER
KESSLER-ELLIS
KE610RB10AC120
- PUMP RUN LIGHT
IDEC HW SERIES

2.1
2.2
2.3
2.4
2.5
2.6
2.7
2.8
2.9
2.10
2.11
2.12
2.13
2.14
2.15
2.16
2.17
2.18
2.19
2.20
2.21
2.22
2.23
2.24
2.25
2.26
2.27
2.28
2.29



For float arrangement diagram, see drawing no. "EDW-FA-DAX-3".



DUPLEX OPERATION

High Level Alarm: This float activates the alarm light and audible alarm when lifted. The audible alarm may be silenced by pressing the illuminated PUSH TO SILENCE button on the front of the control panel. The alarm light will remain on until the float is lowered.

Timer Override On: This float turns on the lag pump when lifted.

Timer Override Off: When lowered, this float turns off any pump(s) which were started by the Timer Override On float.

Timer On & Off: This float turns off the programmable timer when lowered. When this float is lifted the timer will be restarted. Note: The timer will start with its off cycle.

Programmable Timer: The timer turns the lead pump on and off in a pre-set cycle. Note: The timer will start with its off cycle.

Current Sensor Pump Fail Alarm: If a pump fails to come on, this sensor activates the pump fail alarm light and audible alarm. The audible alarm may be silenced by pressing the illuminated PUSH TO SILENCE button on the front of the control panel. The alarm light will remain on until the condition is corrected and the pump fail alarm reset switch is operated.

