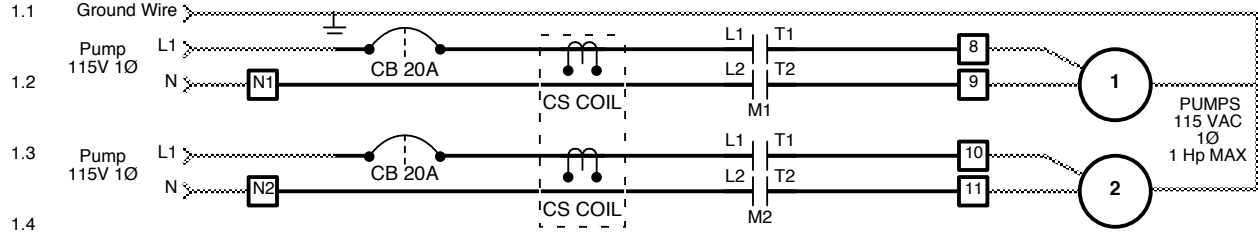


Panel Wiring Diagram Model DAX1 R0 CS(a)

— = Factory Wire
- - - = Field Wire



From Main Power Panel
115 VAC, 1 Phase, 60 Hz.
Main disconnect
provided by others.



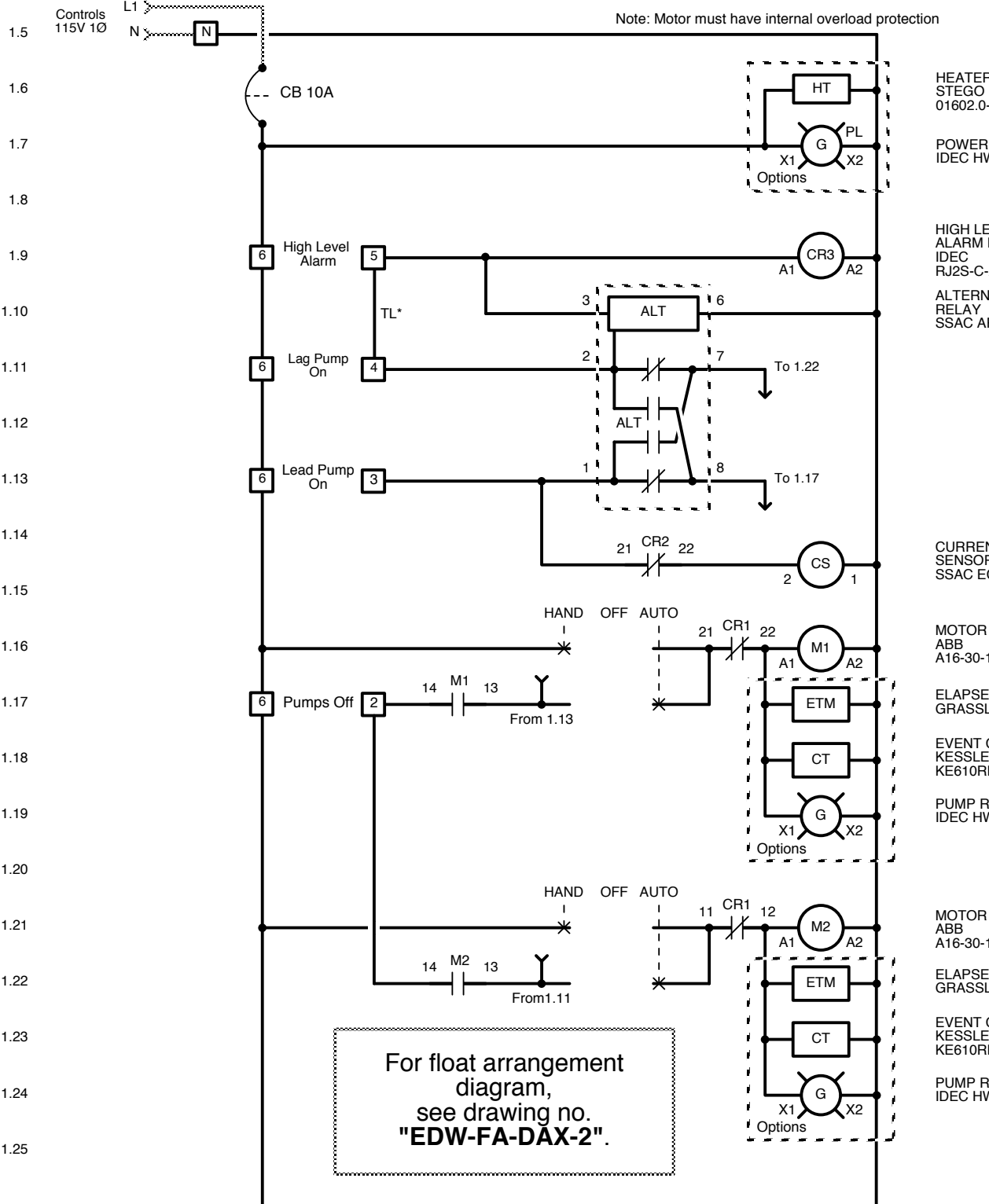
814 AIRWAY AVENUE
SUTHERLIN, OREGON
97479

TOLL FREE:
(800) 348-9843

TELEPHONE:
(541) 459-4449

FACSIMILE:
(541) 459-2884

WEB SITE:
www.orenco.com



HEATER
STEGO
01602.0-09

POWER LIGHT
IDEC HW SERIES

HIGH LEVEL
ALARM RELAY
IDEC
RJ2S-C-A120

ALTERNATING
RELAY
SSAC ARP43S

CURRENT
SENSOR
SSAC ECS41BC

MOTOR CONTACTOR
ABB
A16-30-10-84

ELAPSED TIME METER
GRASSLIN UWZ48 120V

EVENT COUNTER
KESSLER-ELLIS
KE610RB10AC120

PUMP RUN LIGHT
IDEC HW SERIES

MOTOR CONTACTOR
ABB
A16-30-10-84

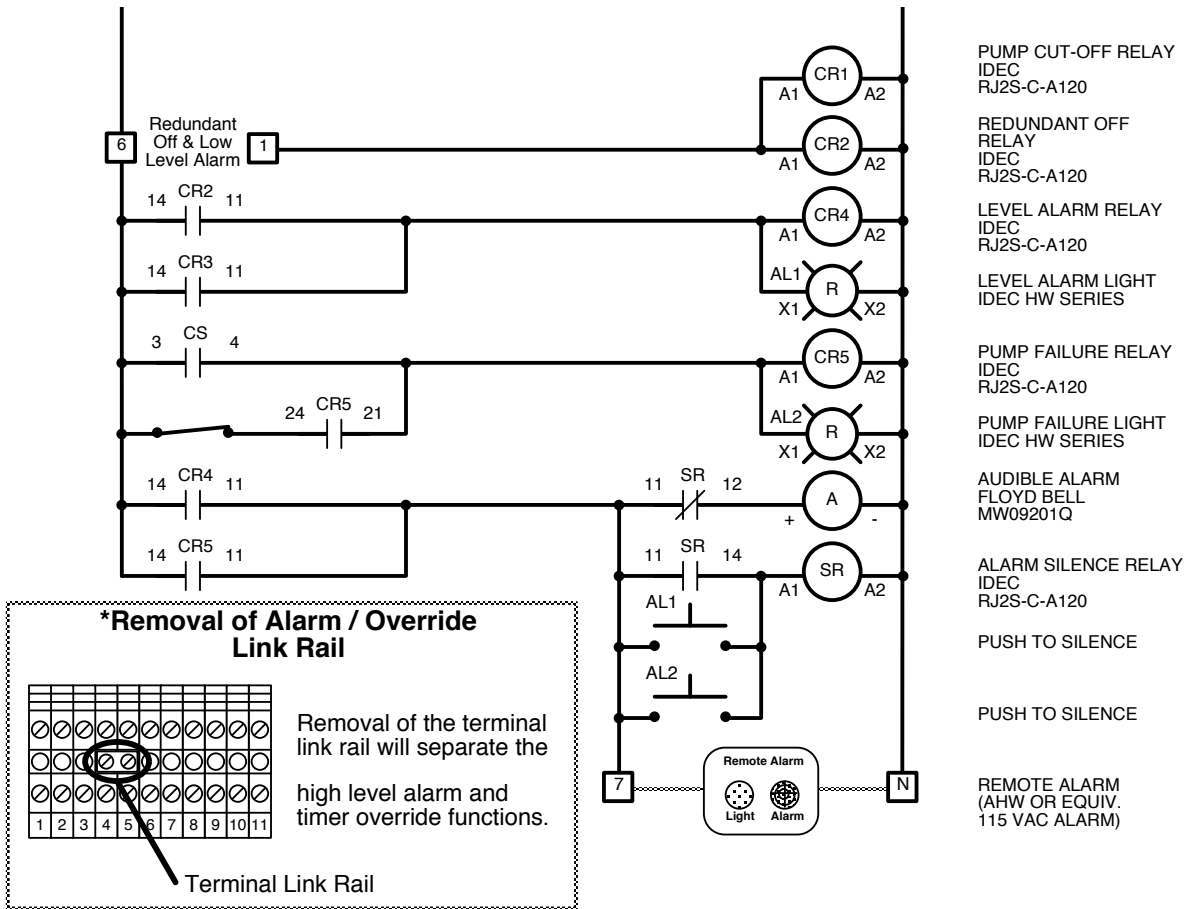
ELAPSED TIME METER
GRASSLIN UWZ48 120V

EVENT COUNTER
KESSLER-ELLIS
KE610RB10AC120

PUMP RUN LIGHT
IDEC HW SERIES

For float arrangement
diagram,
see drawing no.
"EDW-FA-DAX-2".

2.1
2.2
2.3
2.4
2.5
2.6
2.7
2.8
2.9
2.10
2.11
2.12
2.13
2.14
2.15
2.16
2.17
2.18
2.19
2.20
2.21
2.22
2.23
2.24
2.25
2.26
2.27
2.28
2.29



DUPLEX OPERATION

- High Level Alarm:** This float activates the alarm light and audible alarm when lifted. The audible alarm may be silenced by pressing the illuminated PUSH TO SILENCE button on the front of the control panel. The alarm light will remain on until the float is lowered.
- Lag Pump On:** This float turns on the lag pump when lifted. The pump will continue to run until the Pumps Off float is lowered.
- Lead Pump On:** This float turns on the lead pump when lifted. The pump will continue to run until the Pumps Off float is lowered.
- Pumps Off:** This float turns off the pumps when lowered.
- Redundant Off & Low Level Alarm:** This float turns off the pump(s) when lowered. This float is a secondary off float which will operate if the Pumps Off float fails. Pumping will be disabled in both the automatic and manual modes. This float also activates the alarm light and audible alarm. The audible alarm may be silenced by pressing the illuminated PUSH TO SILENCE button on the front of the control panel. The alarm light will remain on until the float is lifted.
- Current Sensor Pump Fail Alarm:** If a pump fails to come on, this sensor activates the pump fail alarm light and audible alarm. The audible alarm may be silenced by pressing the illuminated PUSH TO SILENCE button on the front of the control panel. The alarm light will remain on until the condition is corrected and the pump fail alarm reset switch is operated.

