

# Panel Wiring Diagram Model DAX2 IR2 PT R0

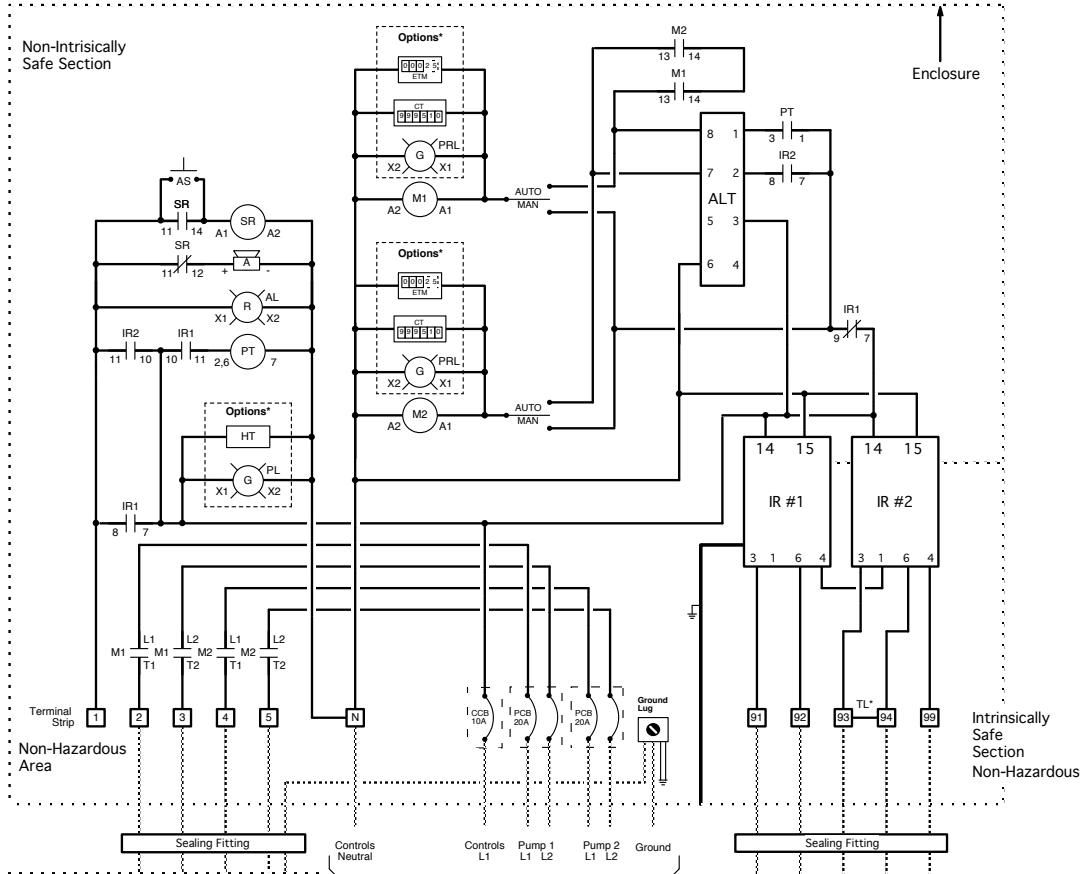


**Orenco Systems<sup>®</sup>**  
Incorporated

814 AIRWAY AVENUE  
SUTHERLIN, OREGON  
97479-9012

TELEPHONE:  
(541) 459-4449

FACSIMILE:  
(541) 459-2884



**Hazardous Area**  
Class I Groups A,B,C,D  
Class II Groups E,F,G  
Class III  
NOTE: Motors must have internal overload protection

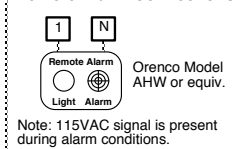
From Main Power Panel  
230/115 VAC, 1 Phase, 60 Hz.  
Main disconnect provided by others.

**Hazardous Area**  
Class I Groups A,B,C,D  
Class II Groups E,F,G  
Class III

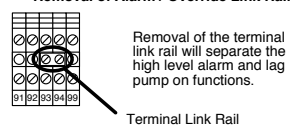
For float arrangement diagram,  
see drawing no. **"EDW-FA-DAX-504"**  
For float arrangement diagram,  
see drawing no. **"EDW-FA-DAX-505"**

NOTE: A spacing of 2 inches  
(50mm) must be maintained  
between intrinsically safe, and  
non-intrinsically safe wiring.

### Remote Alarm Connections



### \* Removal of Alarm / Override Link Rail



## Duplex Operation

**High Level Alarm:** This float activates the alarm light and audible alarm when lifted. The audible alarm may be silenced by pressing the illuminated PUSH TO SILENCE button on the front of the control panel. The alarm light will remain on until the float is lowered.

**Timer Override On & Off:** This float turns on the lag pump when lifted and off when lowered.

**Timer On & Off:** This float turns off the programmable timer when lowered. When this float is lifted the timer will be restarted. Note: The timer will start with its off cycle.

**Redundant Off & Low Level Alarm:** This float turns off the pump(s) when lowered. This float is a secondary off float which will operate if the Timer On & Off float fails. Pumping will be disabled in both the automatic and manual modes. This float also activates the alarm light and audible alarm. The audible alarm may be silenced by pressing the illuminated PUSH TO SILENCE button on the front of the control panel. The alarm light will remain on until float is lifted.

**Programmable Timer:** The timer turns the lead pump on and off in a pre-set cycle. Note: The timer will start with its off cycle.

## Key

- = Factory Wire
  - ..... = Field Wire
  - - - = Alternate Field Wire
  - A = Audio Alarm, 115 VAC
  - AL = Alarm Light
  - ALT = Duplex Alternator
  - AS = Audio Silence Switch
  - CCB = Controls Circuit Breaker
  - IR = Intrinsically Safe Relay
  - M = Motor Contactor
  - PCB = Pump Circuit Breaker
  - PT = Programmable Timer
  - SR = Silence Control Relay
  - TL = Terminal Link
- \*Options**
- CT = Cycle Counter
  - ETM = Elapsed Time Meter
  - HT = Heater
  - PL = Power Light
  - PRL = Pump Run Light

## Power Wiring Options

