

Panel Wiring Diagram Model DAX2 IR3 PT RO

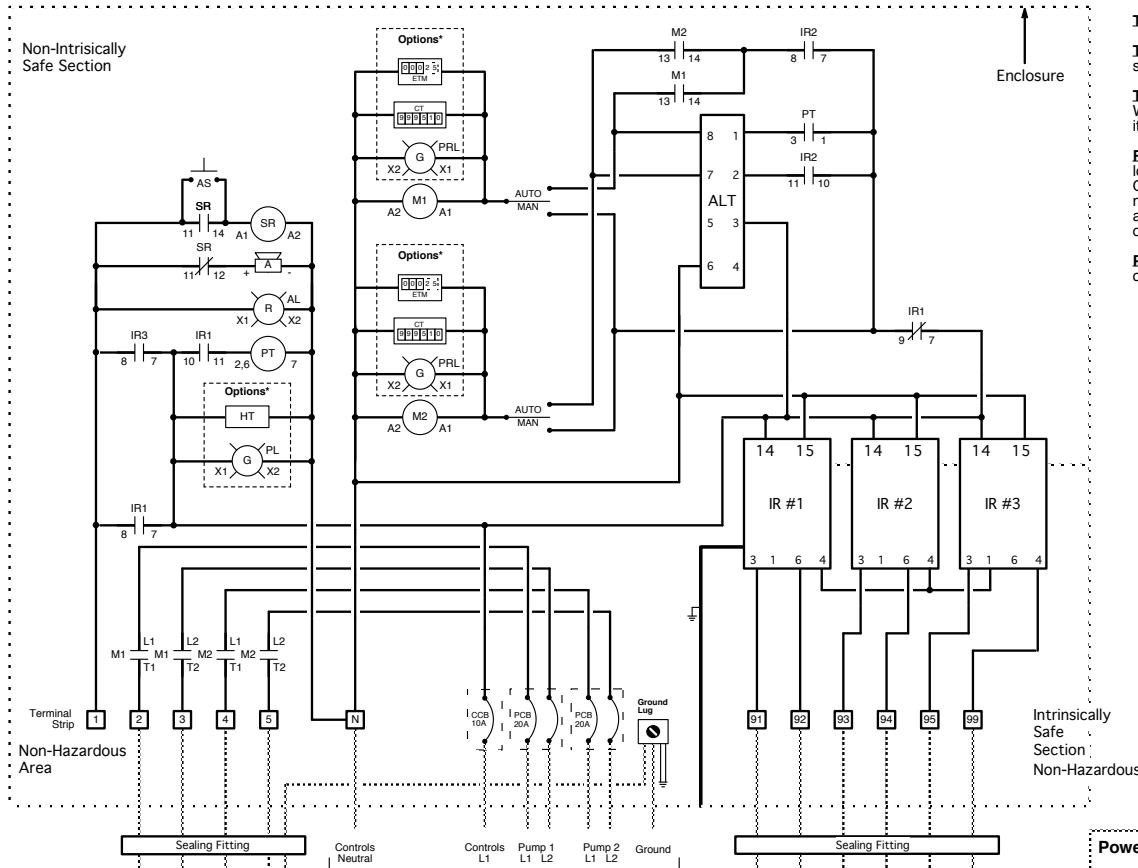


Oreco Systems®
Incorporated

814 AIRWAY AVENUE
SUTHERLIN, OREGON
97479-9012

TELEPHONE:
(541) 459-4449

FACSIMILE:
(541) 459-2884



Duplex Operation

High Level Alarm: This float activates the alarm light and audible alarm when lifted. The audible alarm may be silenced by pressing the illuminated PUSH TO SILENCE button on the front of the control panel. The alarm light will remain on until the float is lowered.

Timer Override On: This float turns on the lag pump when lifted.

Timer Override Off: When lowered, this float turns off any pumps which were started by the Timer Override On float.

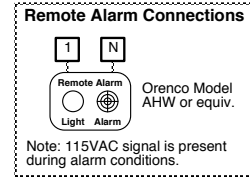
Timer On & Off: The float turns off the programmable timer when lowered. When this float is lifted the timer will be restarted. Note: The timer will start with its off cycle.

Redundant Off & Low Level Alarm: This float turns off the pump(s) when lowered. This float is a secondary off float which will operate if the Timer On & Off float fails. Pumping will be disabled in both the automatic and manual modes. This float also activates the alarm light and audible alarm. The audible alarm may be silenced by pressing the illuminated PUSH TO SILENCE button on the front of the control panel. The alarm light will remain on until float is lifted.

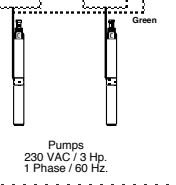
Programmable Timer: The timer turns the lead pump on and off in a pre-set cycle. Note: The timer will start with its off cycle.

Key

- = Factory Wire
- - - = Field Wire
- · - = Alternate Field Wire
- A = Audio Alarm, 115 VAC
- AL = Alarm Light
- ALT = Duplex Alternator
- AS = Audio Silence Switch
- CCB = Controls Circuit Breaker
- IR = Intrinsically Safe Relay
- M = Motor Contactor
- PCB = Pump Circuit Breaker
- PT = Programmable Timer
- SR = Silence Control Relay
- TL = Terminal Link
- *Options**
- CT = Cycle Counter
- ETM = Elapsed Time Meter
- HT = Heater
- PL = Power Light
- PRL = Pump Run Light



Hazardous Area
Class I Groups A,B,C,D
Class II Groups E,F,G
Class III
NOTE: Motors must have internal overload protection



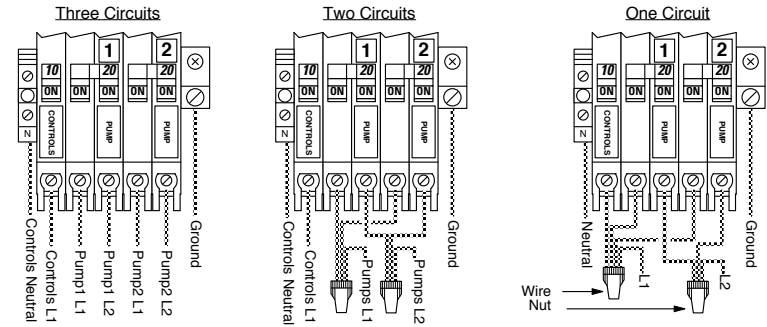
Pumps
230 VAC / 3 Hp.
1 Phase / 60 Hz.

From Main Power Panel
230/115 VAC, 1 Phase, 60 Hz.
Main disconnect provided by others.

Hazardous Area
Class I Groups A,B,C,D
Class II Groups E,F,G
Class III
For float arrangement diagram, see drawing no. "EDW-FA-DAX-511"

NOTE: A spacing of 2 inches (50mm) must be maintained between intrinsically safe, and non-intrinsically safe wiring.

Power Wiring Options



Factory default. Wire as shown.

Use one wire nut to connect the first pole of each pump circuit breaker together with the incoming L1 power line. Use another wire nut to connect the second pole of each pump circuit breaker together with the incoming L2 power line.

Use one wire nut to connect the first pole of each pump circuit breaker together with the controls breaker and with the incoming L1 power line. Use another wire nut to connect the second pole of each pump circuit breaker with the incoming L2 power line.