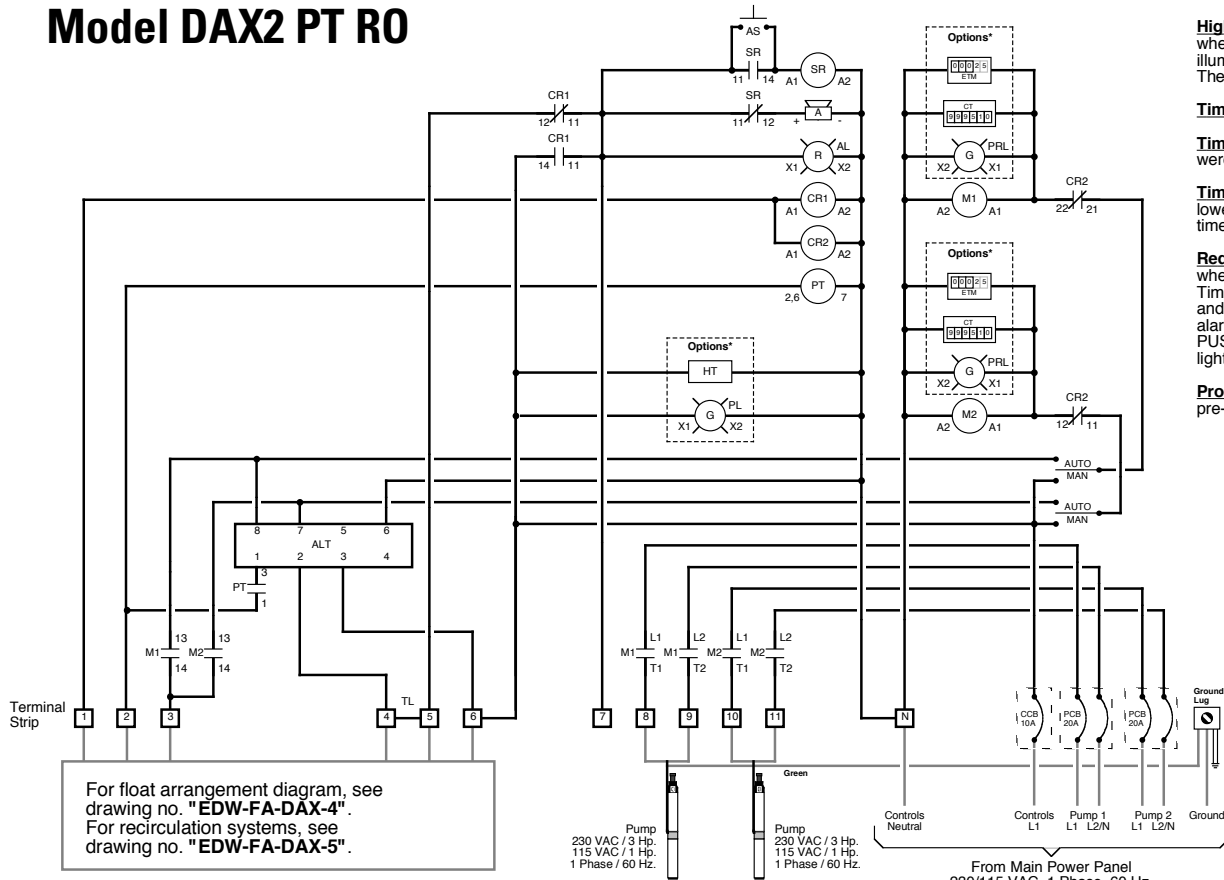


Panel Wiring Diagram

Model DAX2 PT R0



For float arrangement diagram, see drawing no. "EDW-FA-DAX-4".
For recirculation systems, see drawing no. "EDW-FA-DAX-5".

Pump 230 VAC / 3 Hp.
115 VAC / 1 Hp.
1 Phase / 60 Hz.

From Main Power Panel
230/115 VAC, 1 Phase, 60 Hz.
Main disconnect
provided by others.

NOTE: Motors must have
internal overload protection

Duplex Operation

High Level Alarm: This float activates the alarm light and audible alarm when lifted. The audible alarm may be silenced by pressing the illuminated PUSH TO SILENCE button on the front of the control panel. The alarm light will remain on until the float is lowered.

Timer Override On: This float turns on the lag pump when lifted.

Timer Override Off: When lowered, this float turns off any pump(s) which were started by the Timer Override On float.

Timer On & Off: This float turns off the programmable timer when lowered. When this float is lifted the timer will be restarted. Note: The timer will start with its off cycle.

Redundant Off & Low Level Alarm: This float turns off the pump(s) when lowered. This float is a secondary off float which will operate if the Timer On & Off float fails. Pumping will be disabled in both the automatic and manual modes. This float also activates the alarm light and audible alarm. The audible alarm may be silenced by pressing the illuminated PUSH TO SILENCE button on the front of the control panel. The alarm light will remain on until the float is lifted.

Programmable Timer: The timer turns the lead pump on and off in a pre-set cycle. Note: The timer will start with its off cycle.

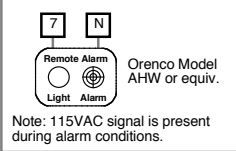
Key

- = Factory Wire
- - - = Field Wire
- · - = Alternate Field Wire
- A = Audio Alarm, 115 VAC
- AL = Alarm Light
- ALT = Duplex Alternator
- AS = Audio Silence Switch
- CCB = Controls Circuit Breaker
- CR1 = Controls Circuit Breaker
- CR2 = Low Level Alarm Relay
- M = Motor Contactor
- PCB = Pump Circuit Breaker
- PT = Programmable Timer
- SR = Silence Control Relay
- TL = Terminal Link

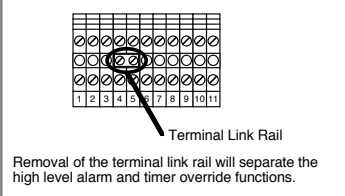
*Options

- CT = Cycle Counter
- ETM = Elapsed Time Meter
- HT = Heater
- P = Power Light
- PRL = Pump Run Light

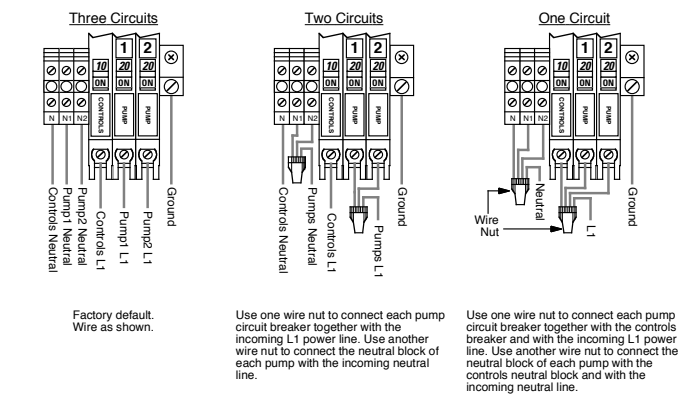
Remote Alarm Connections



Removal of Alarm / Override Link Rail



Power Wiring Options



*Power Wiring Options: 115 VAC Pumps

