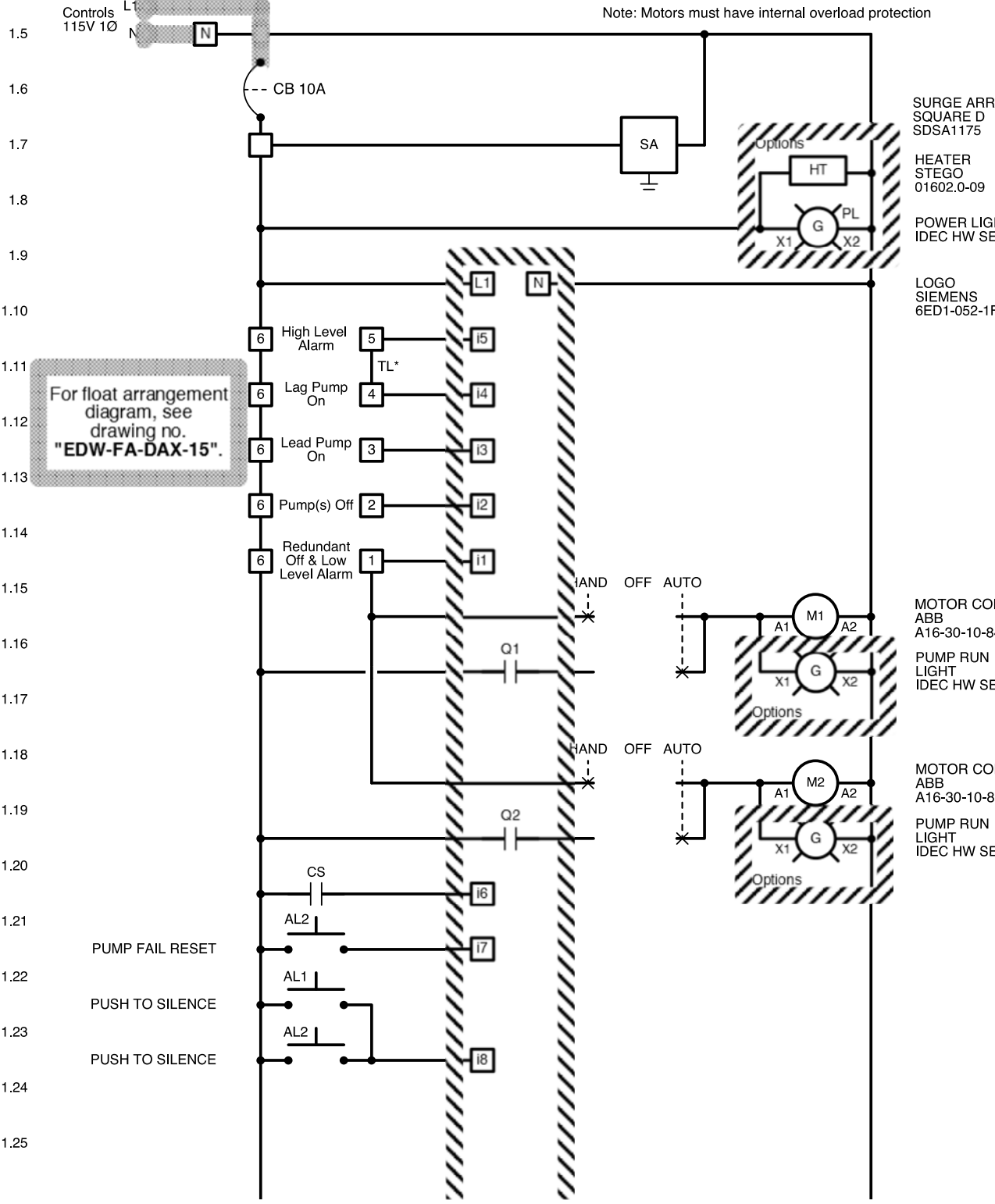
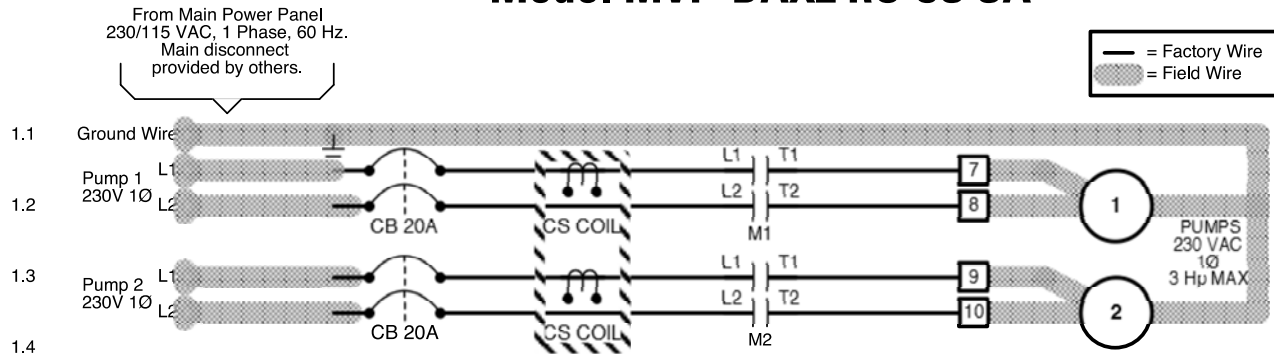


Control Panel Wiring Diagram Model MVP-DAX2 R0 CS SA



814 AIRWAY AVENUE
SUTHERLIN, OREGON
97479-9012
TELEPHONE:
(541) 459-4449
FACSIMILE:
(541) 459-2884

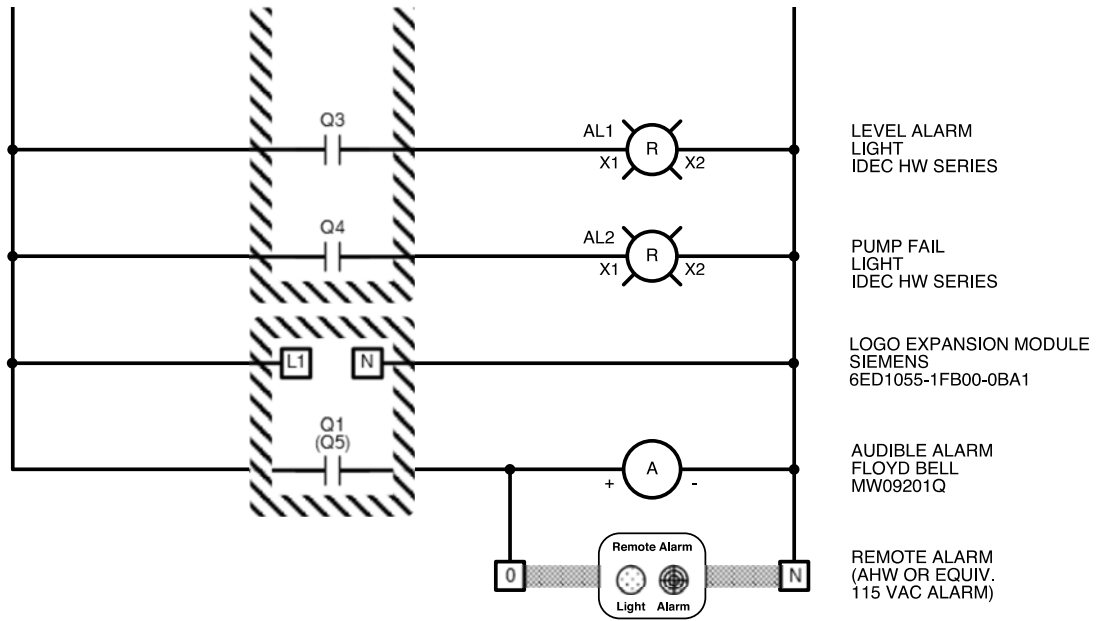


- SURGE ARRESTER
SQUARE D
SDSA1175
- HEATER
STEGO
01602.0-09
- POWER LIGHT
IDEC HW SERIES
- LOGO
SIEMENS
6ED1-052-1FB00-0BA6

- MOTOR CONTACTOR
ABB
A16-30-10-84
- PUMP RUN
LIGHT
IDEC HW SERIES
- MOTOR CONTACTOR
ABB
A16-30-10-84
- PUMP RUN
LIGHT
IDEC HW SERIES

For float arrangement
diagram, see
drawing no.
"EDW-FA-DAX-15".

2.1
2.2
2.3
2.4
2.5
2.6
2.7
2.8
2.9
2.10
2.11
2.12
2.13
2.14
2.15
2.16
2.17
2.18
2.19
2.20
2.21
2.22
2.23
2.24
2.25
2.26
2.27



*** Removal of Alarm / Lag Pump On Link Rail**

Removal of the terminal link rail will separate the high level alarm and lag pump on functions.

Terminal Link Rail

For MVP-DAX RO CS operation description, see drawing no. "EIN-CP-OP-239".

Power Wiring Options

Three Circuits

Factory default. Wire as shown.

Two Circuits

Use one wire nut to connect the first pole of each pump circuit breaker together with the incoming L1 power line. Use another wire nut to connect the second pole of each pump circuit breaker together with the incoming L2 power line.

One Circuit

Use one wire nut to connect the first pole of each pump circuit breaker together with the controls breaker and with the incoming L1 power line. Use another wire nut to connect the second pole of each pump circuit breakers with the incoming L2 power line.