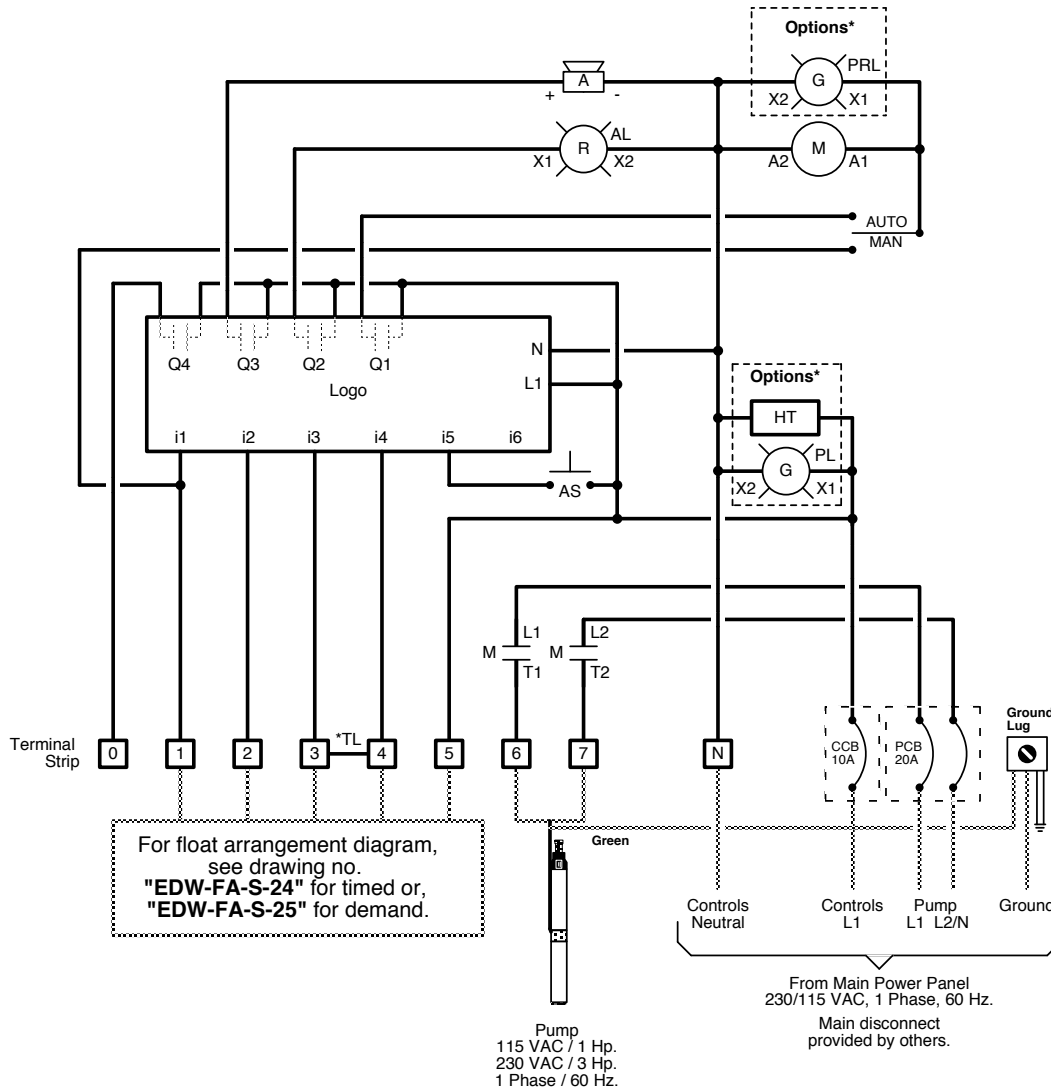


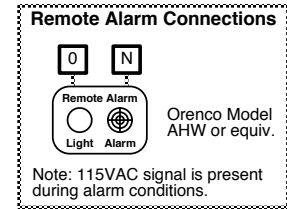
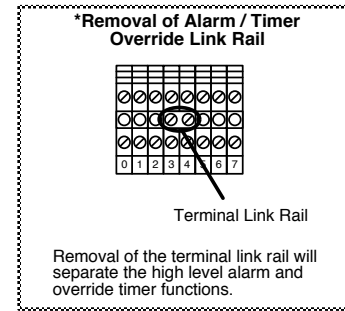
Control Panel Wiring Diagram

Model MVP-S1/2 DM

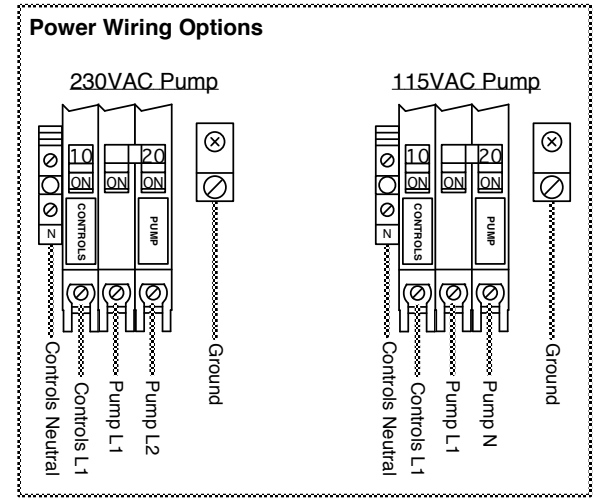


For float arrangement diagram,
see drawing no.
"EDW-FA-S-24" for timed or,
"EDW-FA-S-25" for demand.

NOTE: Motors must have
internal overload protection



For MVP-S operation description, see drawing no. "EIN-CP-OP-2036".



- ### Key
- = Factory Wire
 - = Field Wire
 - - - = Alternate Field Wire
 - A = Audio Alarm, 115 VAC
 - AL = Alarm Light
 - AS = Audio Silence Switch
 - CCB = Controls Circuit Breaker
 - Logo = Logic Module
 - PCB = Pump Circuit Breaker
 - M = Motor Contactor
 - TL = Terminal Link
- ### *Options
- HT = Heater
 - PL = Power Light
 - PRL = Pump Run Light