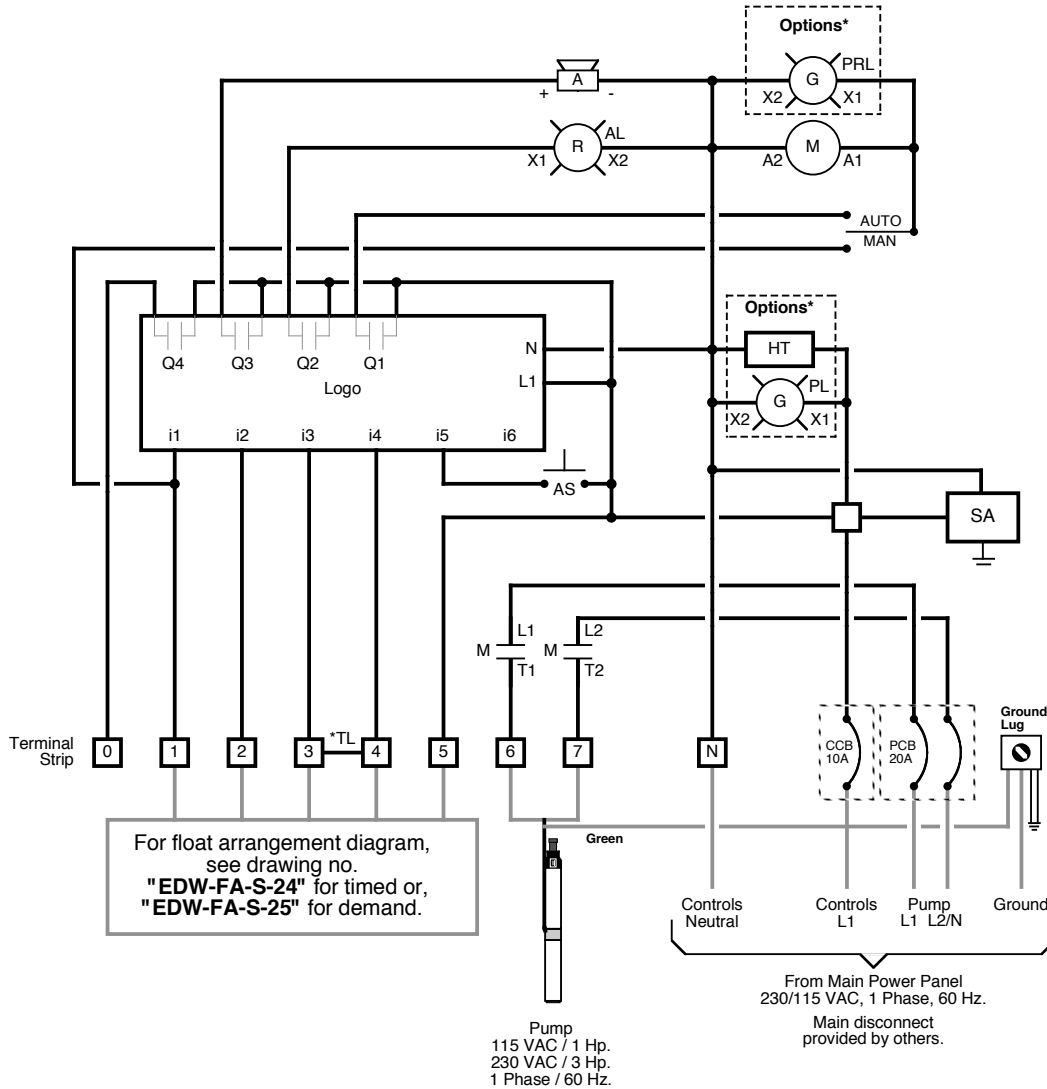


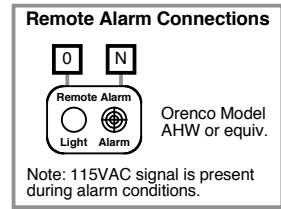
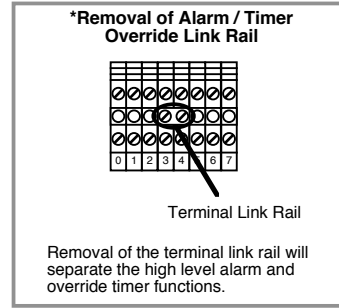
# Control Panel Wiring Diagram

## Model MVP-S1/2 DM SA



For float arrangement diagram, see drawing no. "EDW-FA-S-24" for timed or "EDW-FA-S-25" for demand.

NOTE: Motors must have internal overload protection



- ### Key
- = Factory Wire
  - - - = Field Wire
  - · - · - = Alternate Field Wire
  - A = Audio Alarm, 115 VAC
  - AL = Alarm Light
  - AS = Audio Silence Switch
  - CCB = Controls Circuit Breaker
  - Logo = Logic Module
  - PCB = Pump Circuit Breaker
  - M = Motor Contactor
  - TL = Terminal Link
  - SA = Surge Arrestor
- ### \*Options
- HT = Heater
  - PL = Power Light
  - PRL = Pump Run Light

For MVP-S operation description, see drawing no. "EIN-CP-OP-2036".

