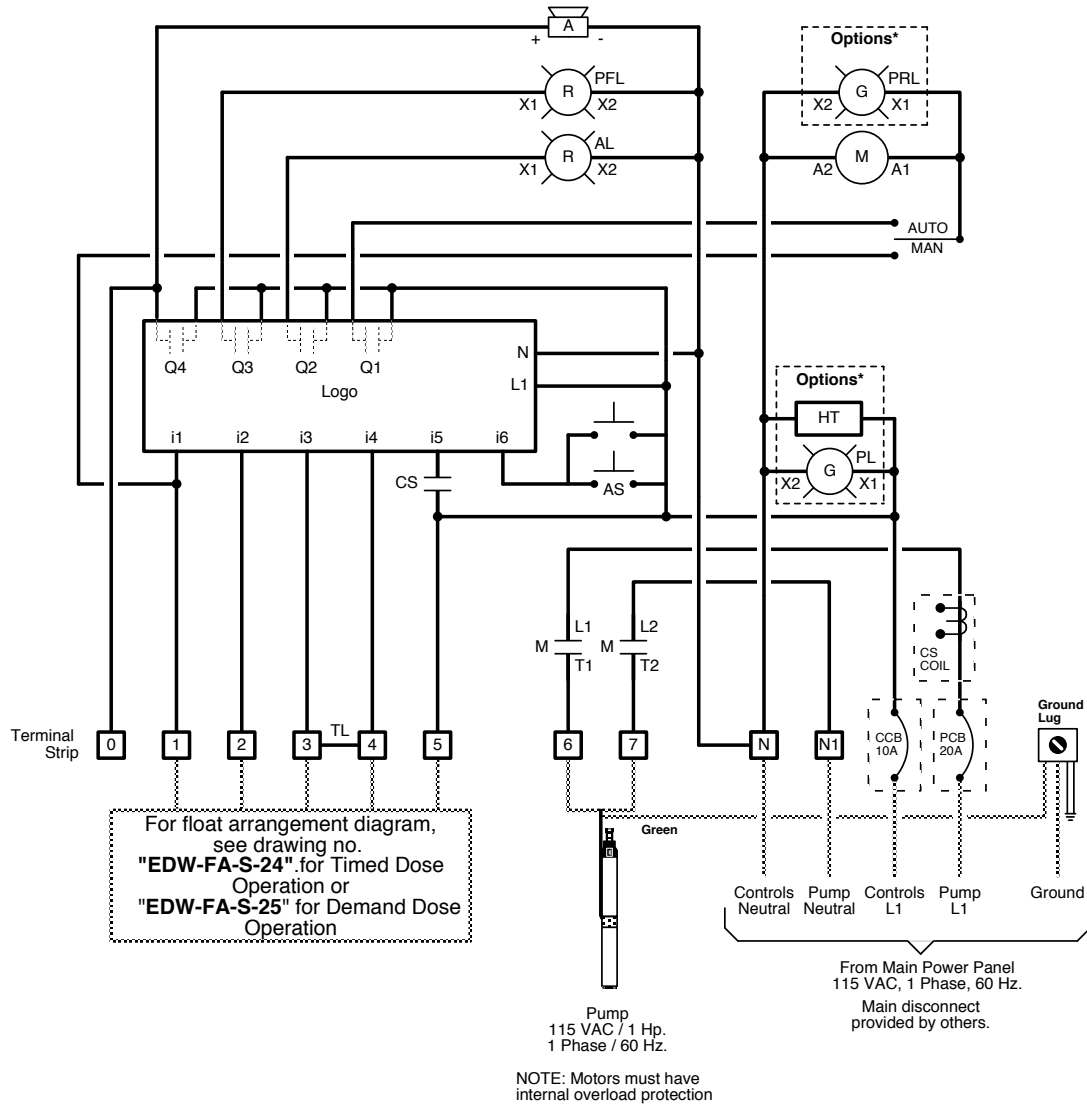


# Control Panel Wiring Diagram Model MVP-S1 DM CS

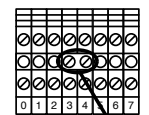


For float arrangement diagram,  
see drawing no.  
"EDW-FA-S-24" for Timed Dose  
Operation or  
"EDW-FA-S-25" for Demand Dose  
Operation

Pump  
115 VAC / 1 Hp.  
1 Phase / 60 Hz.  
NOTE: Motors must have  
internal overload protection

From Main Power Panel  
115 VAC, 1 Phase, 60 Hz.  
Main disconnect  
provided by others.

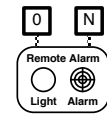
### Removal of Alarm / Timer Override Link Rail



Terminal Link Rail

Removal of the terminal link rail will separate the high level alarm and override timer functions for timed dose operation. The terminal link should be removed for demand dose operation.

### Remote Alarm Connections



Orengo Model  
AHW or equiv.

Note: 115VAC signal is present during alarm conditions.

For MVP-S DM CS  
operation description,  
see drawing no.  
"EIN-CP-OP-2048".

### Power Wiring Options

#### Two Circuits

Factory default.  
Wire as shown.

#### One Circuit

Use one wire nut to connect the pole of the pump circuit breaker together with the controls breaker and with the incoming L1 power line. Use another wire nut to connect the neutral block of the pump with the controls neutral block and with the incoming neutral line.

- ### Key
- = Factory Wire
  - = Field Wire
  - - - = Alternate Field Wire
  - A = Alarm, 115 VAC
  - AL = Alarm Light
  - AS = Audio Silence Switch
  - CCB = Controls Circuit Breaker
  - CS = Current Sensor
  - Logo = Logic Module
  - M = Motor Contactor
  - PCB = Pump Circuit Breaker
  - PFL = Pump Fail Light
  - TL = Terminal Link
- ### \*Options
- HT = Heater
  - PL = Power Light
  - PRL = Pump Run Light