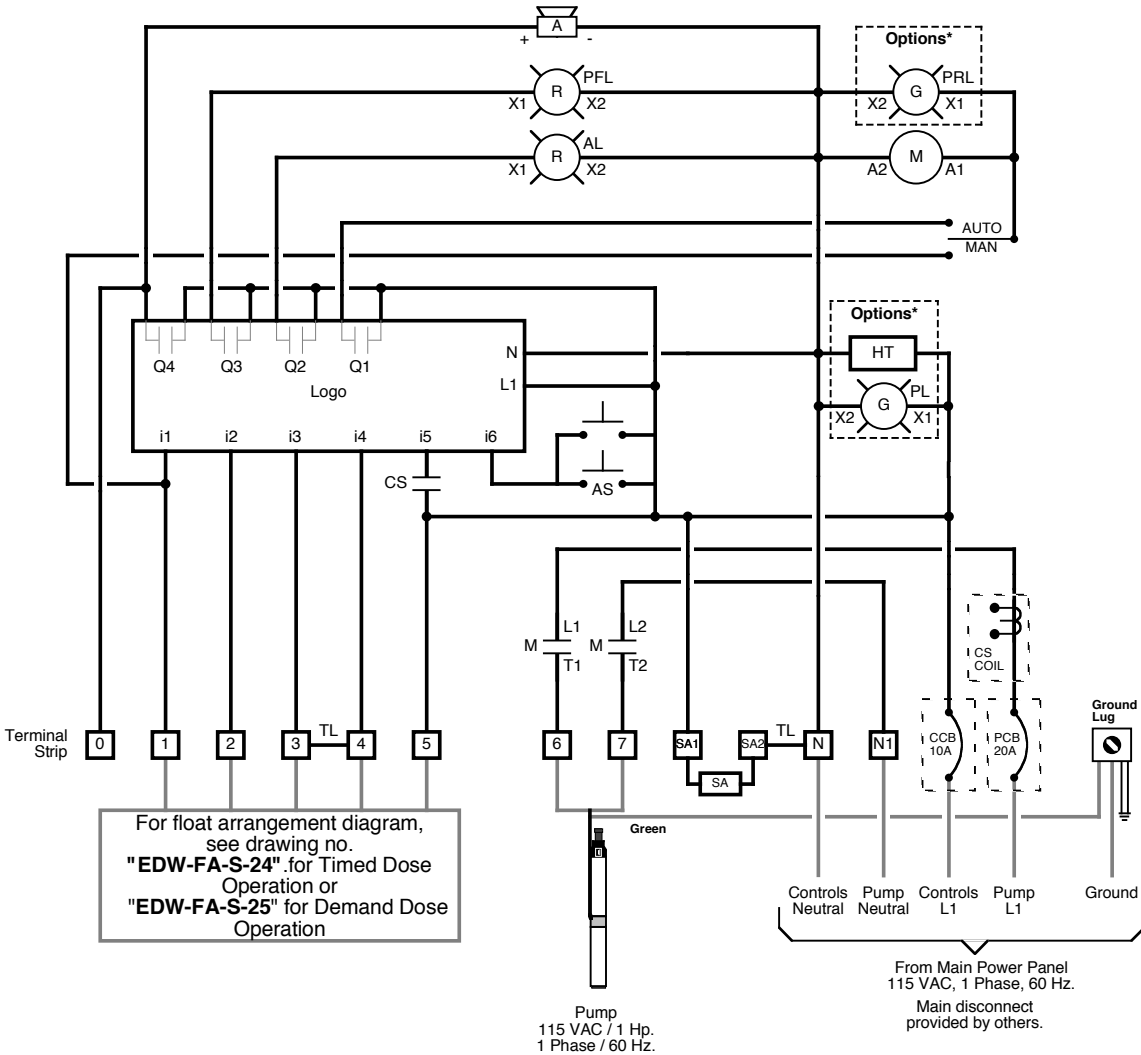


Control Panel Wiring Diagram

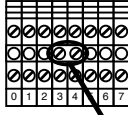
Model MVP-S1 DM CS SA



For float arrangement diagram, see drawing no. "EDW-FA-S-24" for Timed Dose Operation or "EDW-FA-S-25" for Demand Dose Operation

NOTE: Motors must have internal overload protection

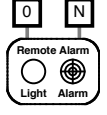
Removal of Alarm / Timer Override Link Rail



Terminal Link Rail

Removal of the terminal link rail will separate the high level alarm and override timer functions for timed dose operation. The terminal link should be removed for demand dose operation.

Remote Alarm Connections



Orenco Model AHW or equiv.

Note: 115VAC signal is present during alarm conditions.

Key

- = Factory Wire
- - - = Field Wire
- - · = Alternate Field Wire
- A = Audio Alarm, 115 VAC
- AL = Alarm Light
- AS = Audio Silence Switch
- CCB = Controls Circuit Breaker
- CS = Current Sensor
- Logo = Logic Module
- M = Motor Contactor
- PCB = Pump Circuit Breaker
- PFL = Pump Fail Light
- SA = Surge Arrester
- TL = Terminal Link

***Options**

- HT = Heater
- PL = Power Light
- PRL = Pump Run Light

For MVP-S DM CS operation description, see drawing no. "EIN-CP-OP-2048".

Power Wiring Options

Two Circuits

One Circuit

Factory default. Wire as shown.

Use one wire nut to connect the pump and controls circuit breakers together with the incoming L1 power line. Use another wire nut to connect the pump and controls neutral blocks together with the incoming neutral line.