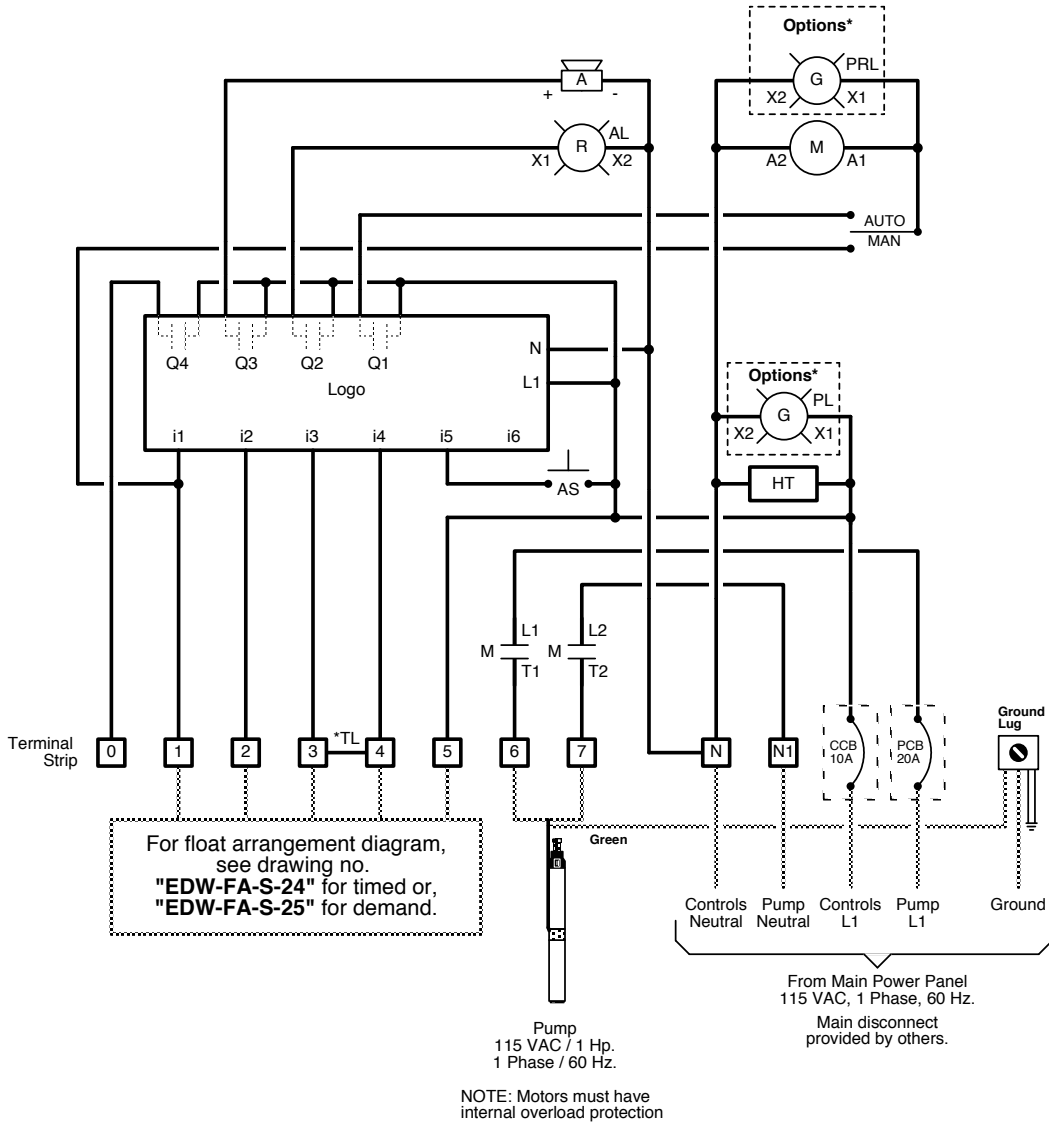
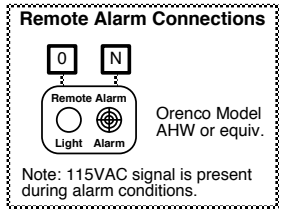
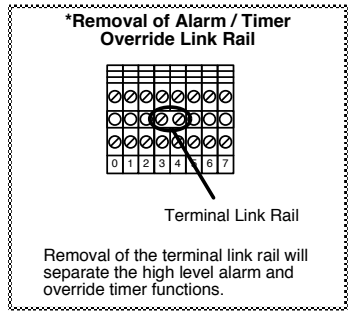


Control Panel Wiring Diagram Model MVP-S1 DM HT -OHIO



For float arrangement diagram, see drawing no. "EDW-FA-S-24" for timed or, "EDW-FA-S-25" for demand.

NOTE: Motors must have internal overload protection



- ### Key
- = Factory Wire
 - = Field Wire
 - - - = Alternate Field Wire
 - A = Audio Alarm, 115 VAC
 - AL = Alarm Light
 - AS = Audio Silence Switch
 - CCB = Controls Circuit Breaker
 - Logo = Logic Module
 - M = Motor Contactor
 - PCB = Pump Circuit Breaker
 - TL = Terminal Link
 - HT = Heater
- ### *Options
- PL = Power Light
 - PRL = Pump Run Light

For MVP-S DM-Ohio operation description, see drawing no. "EIN-CP-OP-2095".

