

# Panel Wiring Diagram

## Model MVP-S1 DM Sonoma

From Main Power Panel  
115 VAC, 1 Phase, 60 Hz.  
Main disconnect  
provided by others.

— = Factory Wire  
— = Field Wire



**Orengo Systems**  
Incorporated

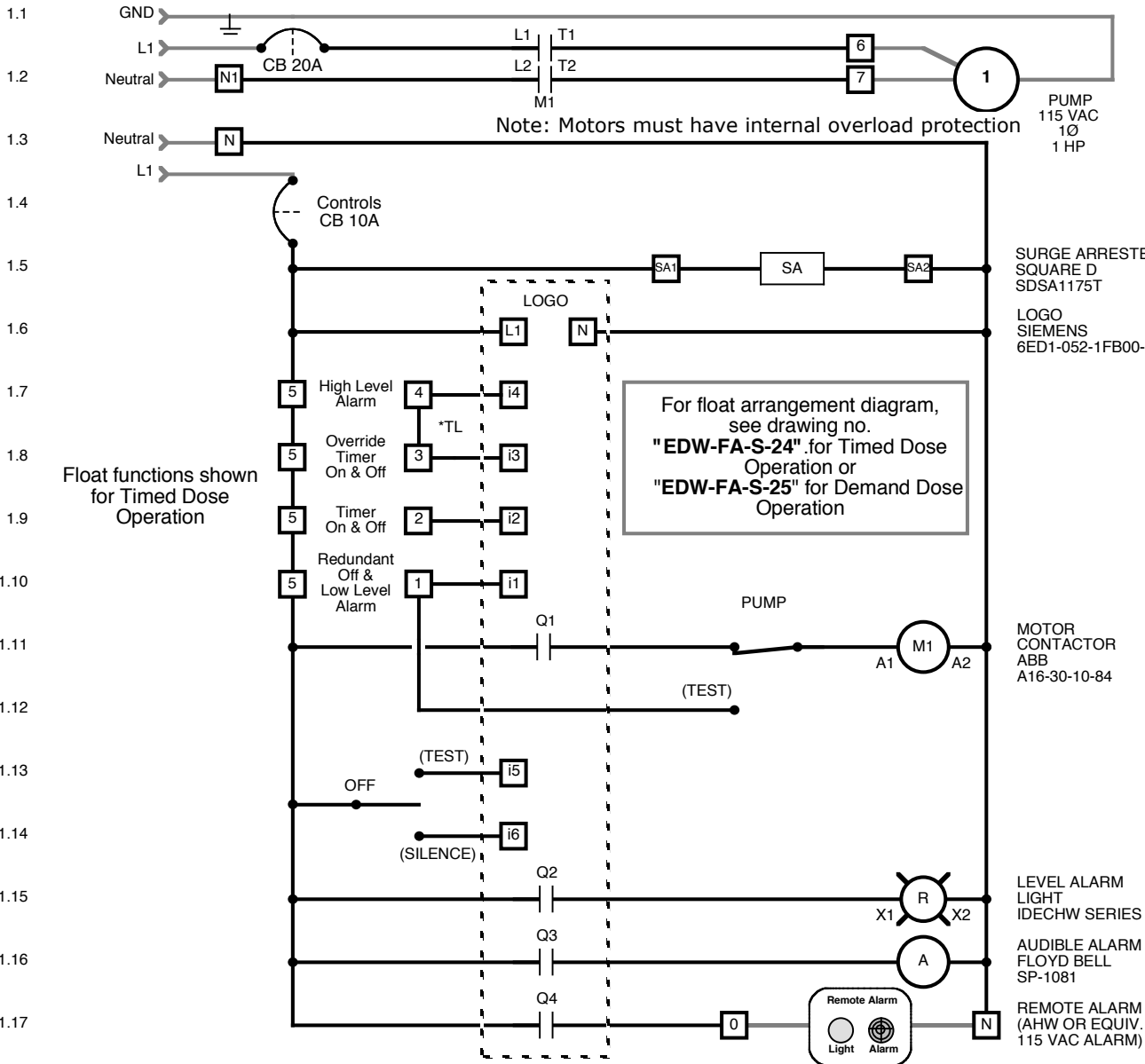
814 AIRWAY AVENUE  
SUTHERLIN, OREGON  
97479

TOLL FREE:  
(800) 348-9843

TELEPHONE:  
(541) 459-4449

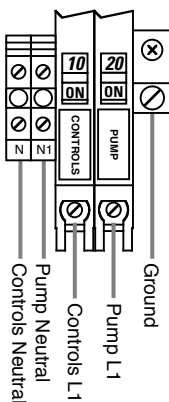
FACSIMILE:  
(541) 459-2884

WEB SITE:  
www.orengo.com

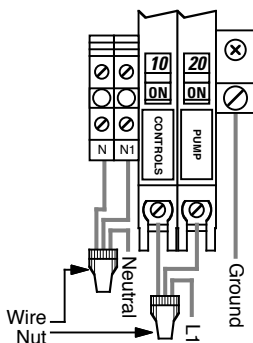


### Power Wiring Options

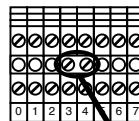
#### Two Circuits



#### One Circuit



### Removal of Alarm / Timer Override Link Rail



Terminal Link Rail

Removal of the terminal link rail will separate the high level alarm and override timer functions for timed dose operation. The terminal link should be removed for demand dose operation.

For MVP-S DM Sonoma operation description, see drawing no. "EIN-CP-OP-2046"