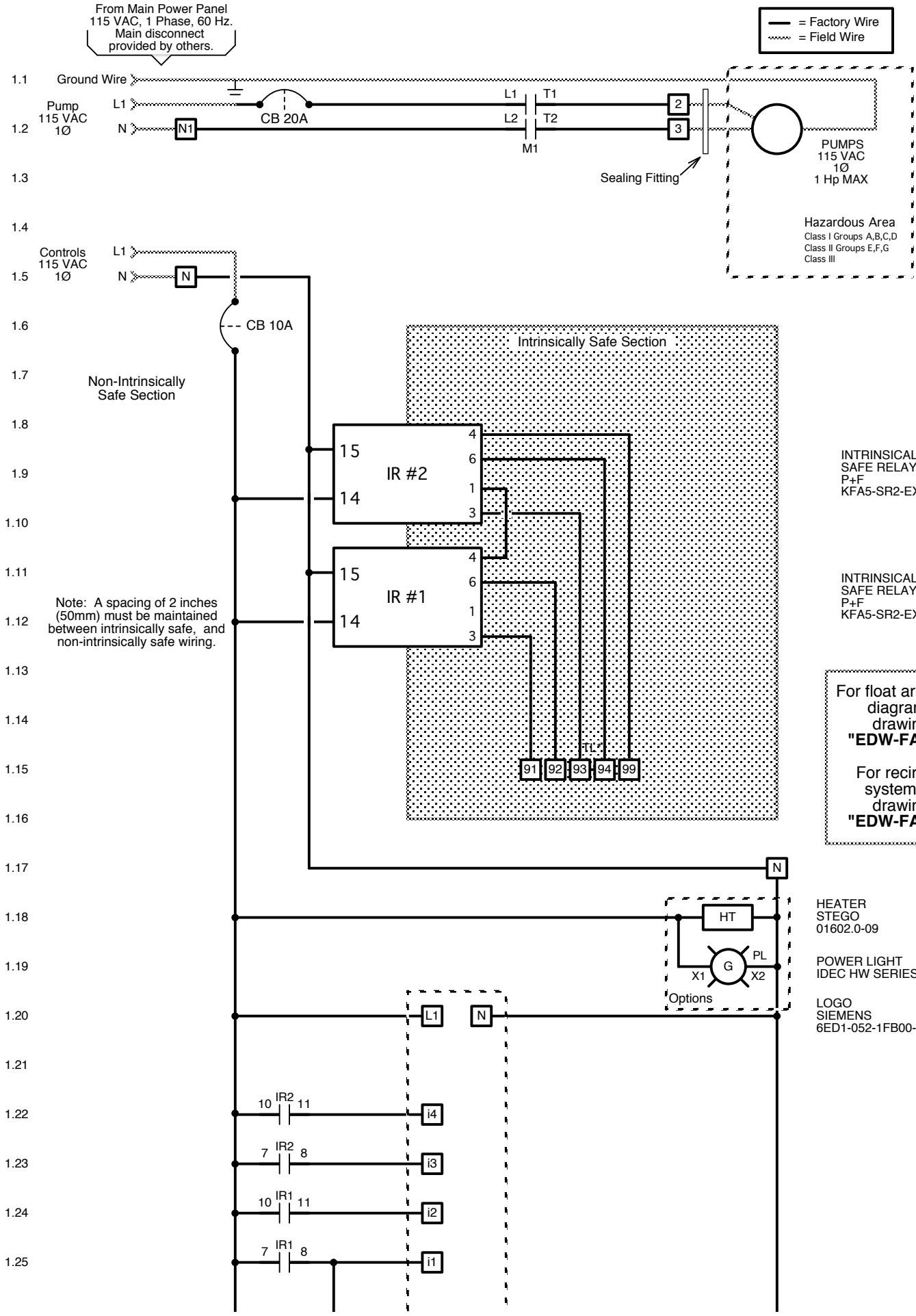


# Control Panel Wiring Diagram Model MVP-S1 IR2 PT RO



814 AIRWAY AVENUE  
SUTHERLIN, OREGON  
97479-9012  
TELEPHONE:  
(541) 459-4449  
FACSIMILE:  
(541) 459-2884



INTRINSICALLY SAFE RELAY  
P+F  
KFA5-SR2-EX2.W

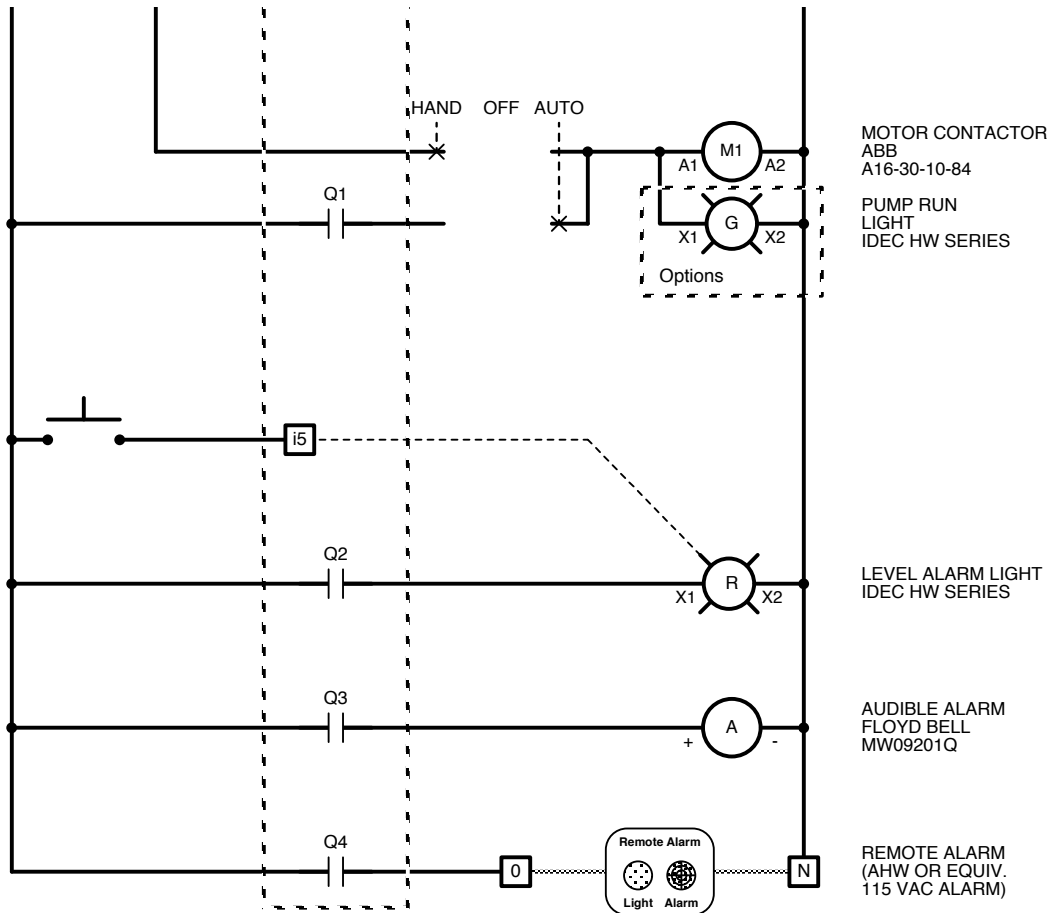
INTRINSICALLY SAFE RELAY  
P+F  
KFA5-SR2-EX2.W

For float arrangement diagram, see drawing no. "EDW-FA-S-511".

For recirculation systems, see drawing no. "EDW-FA-S-512".

2.1  
2.2  
2.3  
2.4  
2.5  
2.6  
2.7  
2.8  
2.9  
2.10  
2.11  
2.12  
2.13  
2.14  
2.15  
2.16  
2.17  
2.18  
2.19  
2.20  
2.21  
2.22  
2.23  
2.24  
2.25  
2.26  
2.27

PUSH TO SILENCE



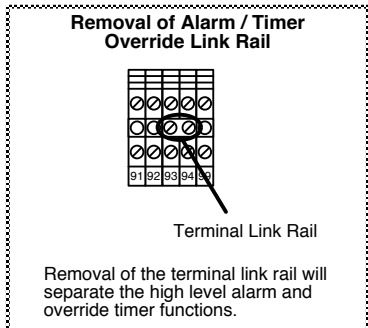
MOTOR CONTACTOR  
ABB  
A16-30-10-84

PUMP RUN  
LIGHT  
IDEC HW SERIES

LEVEL ALARM LIGHT  
IDEC HW SERIES

AUDIBLE ALARM  
FLOYD BELL  
MW09201Q

REMOTE ALARM  
(AHW OR EQUIV.  
115 VAC ALARM)



For MVP-S operation description, see drawing no. "EIN-CP-OP-5".

