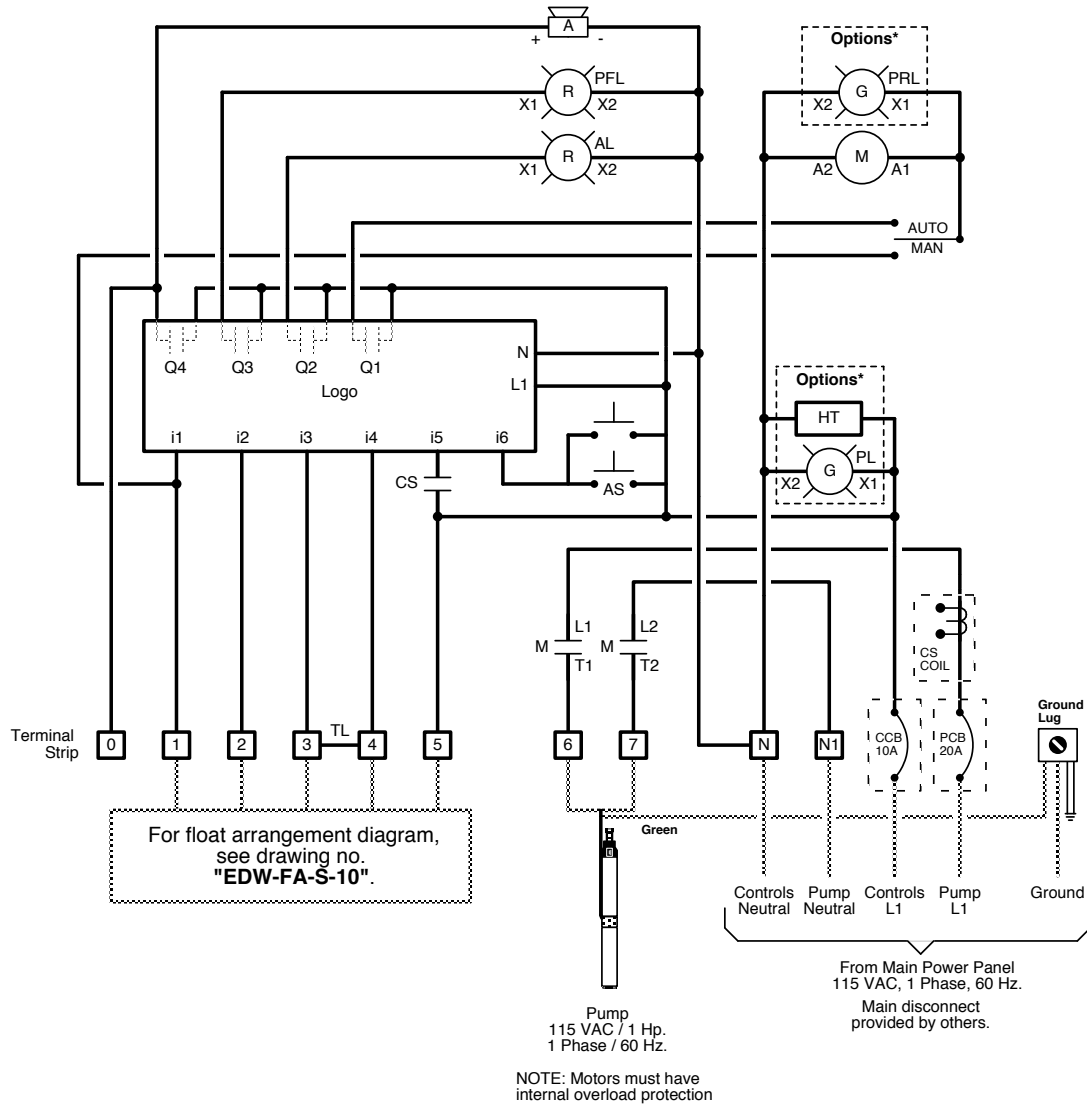
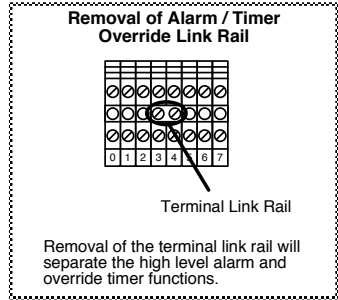


Control Panel Wiring Diagram

Model MVP-S1 PT RO CS

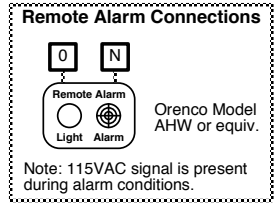


For float arrangement diagram, see drawing no. "EDW-FA-S-10".



Key

- = Factory Wire
 - = Field Wire
 - - - = Alternate Field Wire
 - A = Alarm, 115 VAC
 - AL = Alarm Light
 - AS = Audio Silence Switch
 - CCB = Controls Circuit Breaker
 - CS = Current Sensor
 - Logo = Logic Module
 - M = Motor Contactor
 - PCB = Pump Circuit Breaker
 - PFL = Pump Fail Light
 - TL = Terminal Link
- *Options**
- HT = Heater
 - PL = Power Light
 - PRL = Pump Run Light



For MVP-S PTROCS operation description, see drawing no. "EIN-CP-OP-185".

