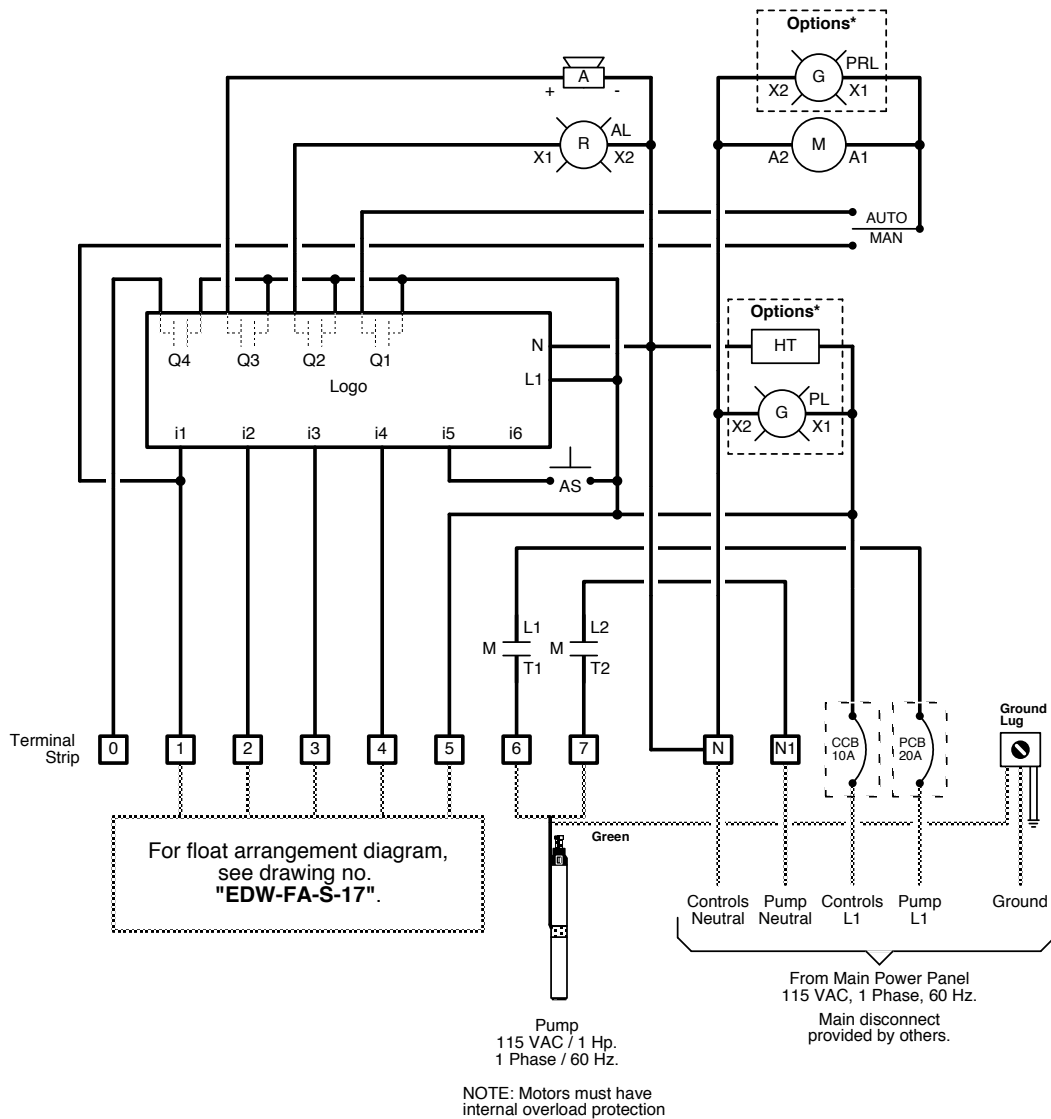


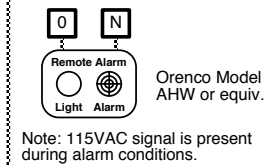
Control Panel Wiring Diagram Model MVP-S1 RO



Key

- = Factory Wire
 - = Field Wire
 - · - = Alternate Field Wire
 - A = Audio Alarm, 115 VAC
 - AL = Alarm Light
 - AS = Audio Silence Switch
 - CCB = Controls Circuit Breaker
 - Logo = Logic Module
 - M = Motor Contactor
 - PCB = Pump Circuit Breaker
 - TL = Terminal Link
- *Options**
- HT = Heater
 - PL = Power Light
 - PRL = Pump Run Light

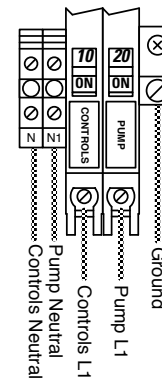
Remote Alarm Connections



For MVP-S RO operation description, see drawing no. "EIN-CP-OP-183".

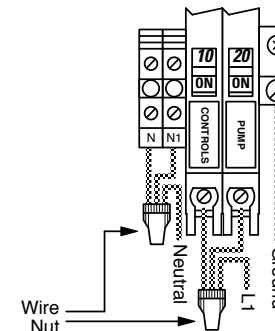
Power Wiring Options

Two Circuits



Factory default. Wire as shown.

One Circuit



Use one wire nut to connect the pole of the pump circuit breaker together with the controls breaker and with the incoming L1 power line. Use another wire nut to connect the neutral block of the pump with the controls neutral block and with the incoming neutral line.