

Control Panel Wiring Diagram

Model MVP-S2 DM CS SA



Oreco Systems®
Incorporated

814 AIRWAY AVENUE

SUTHERLIN, OREGON

97479

TOLL FREE:

(800) 348-9843

TELEPHONE:

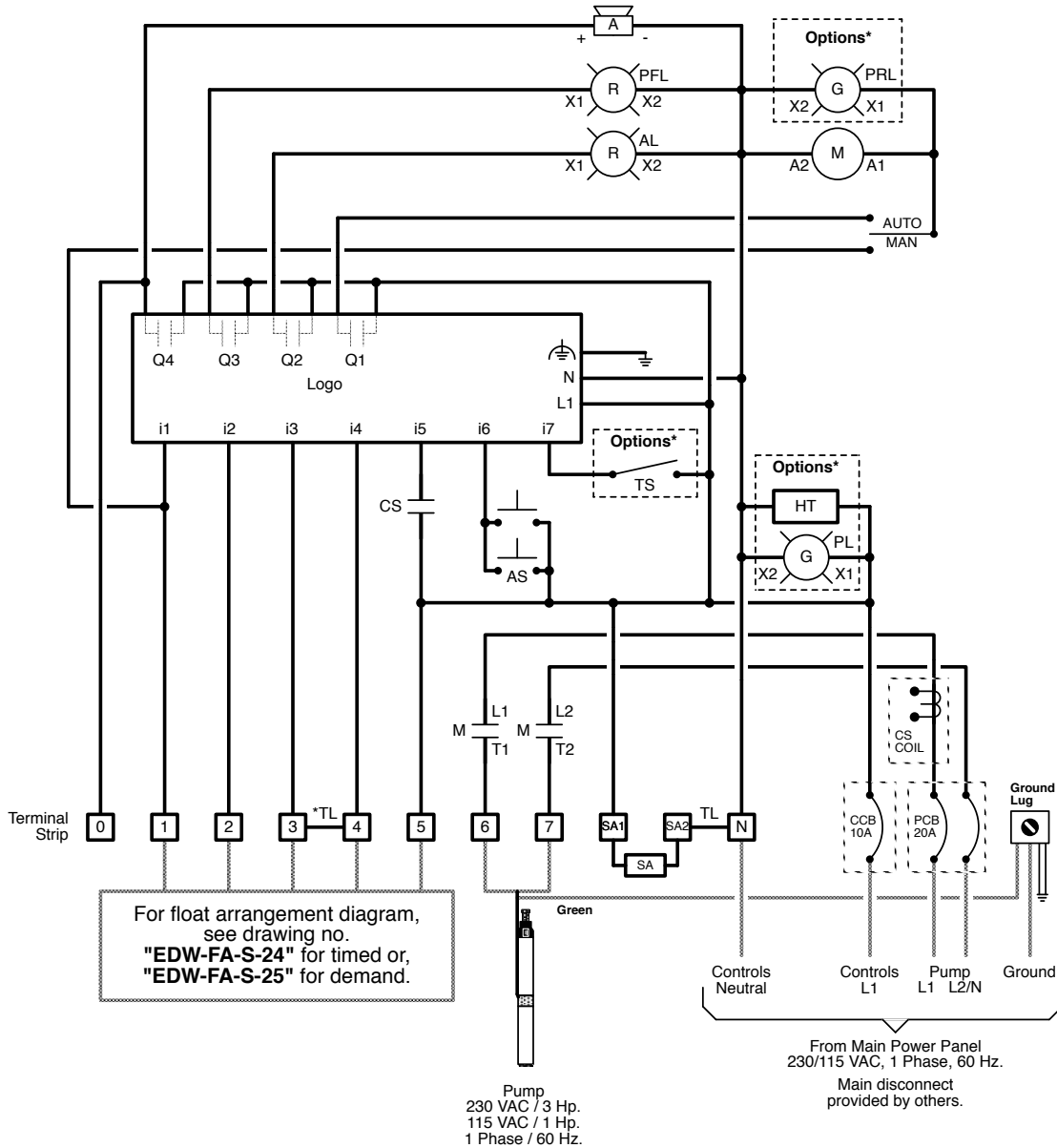
(541) 459-4449

FACSIMILE:

(541) 459-2884

WEB SITE:

www.oreco.com



For float arrangement diagram,
see drawing no.
"EDW-FA-S-24" for timed or,
"EDW-FA-S-25" for demand.

Pump
230 VAC / 3 Hp.
115 VAC / 1 Hp.
1 Phase / 60 Hz.

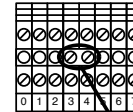
NOTE: Motors must have
internal overload protection

From Main Power Panel
230/115 VAC, 1 Phase, 60 Hz.
Main disconnect
provided by others.

Key

- = Factory Wire
 - - - = Field Wire
 - · - · = Alternate Field Wire
 - A = Audio Alarm, 115 VAC
 - AL = Alarm Light
 - AS = Audio Silence Switch
 - CCB = Controls Circuit Breaker
 - CS = Current Sensor
 - Logo = Logic Module
 - M = Motor Contactor
 - PCB = Pump Circuit Breaker
 - PFL = Pump Fail Light
 - SA = Surge Arrestor
 - TL = Terminal Link
- *Options**
- HT = Heater
 - PL = Power Light
 - PRL = Pump Run Light
 - TS = Test Switch

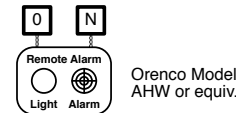
*Removal of Alarm / Timer Override Link Rail



Terminal Link Rail

Removal of the terminal link rail will
separate the high level alarm and
override timer functions.

Remote Alarm Connections

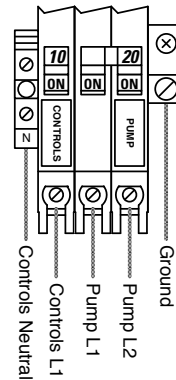


Note: 115VAC signal is present
during alarm conditions.

For MVP-S DM CS
operation description,
see drawing no.
"EIN-CP-OP-2048".

Power Wiring Options

230VAC Pump



115VAC Pump

