

# Control Panel Wiring Diagram

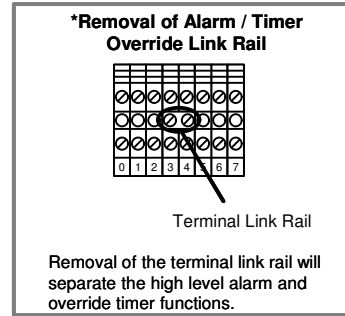
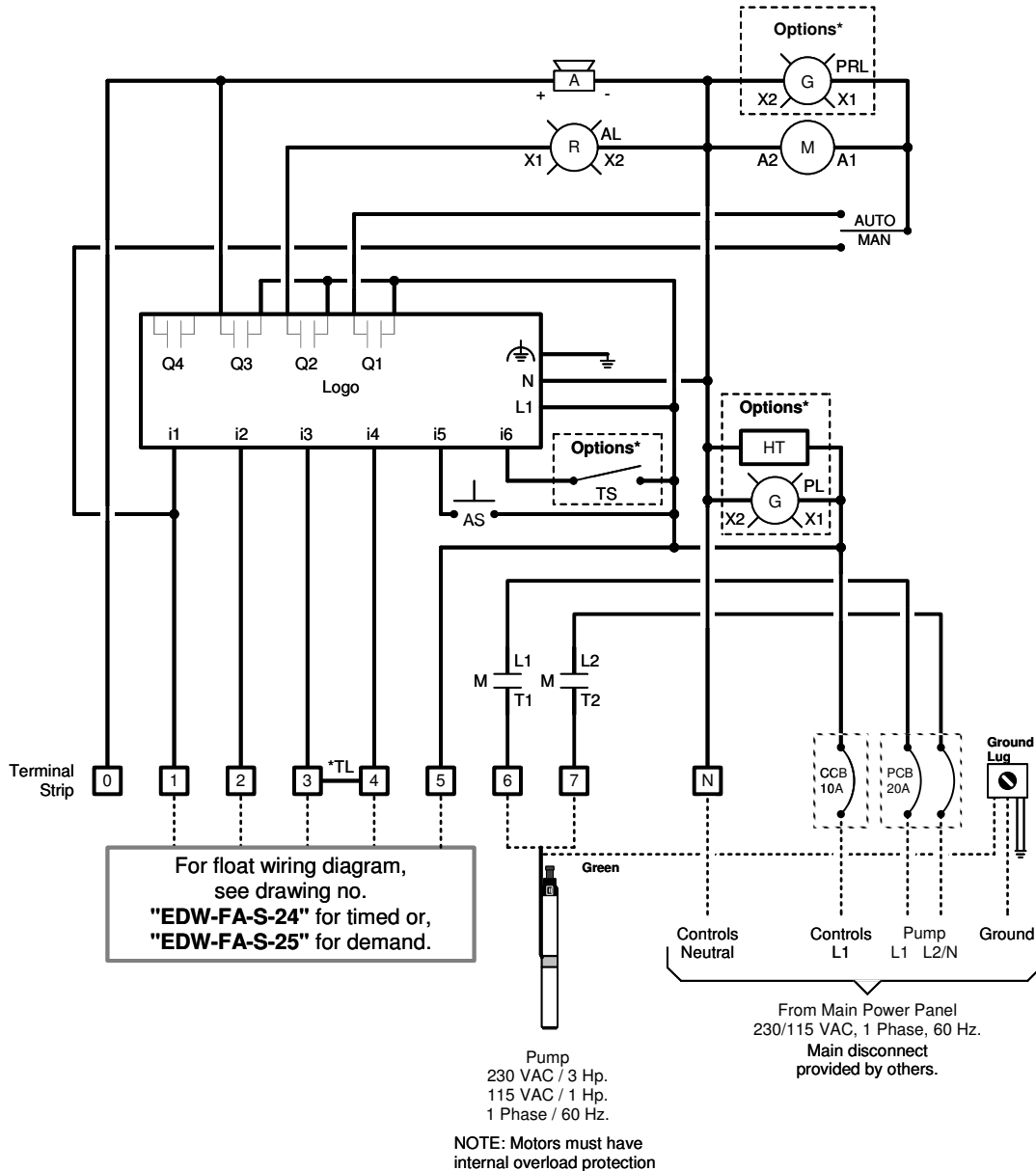
## Model MVP-S2 DM HT -OHIO



814 AIRWAY AVENUE  
SUTHERLIN, OREGON  
97479-9012

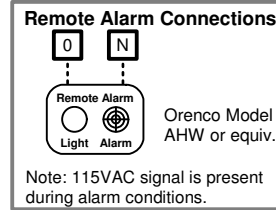
TELEPHONE:  
(800) 348-9843  
(541) 459-4449

WEBSITE:  
www.orenco.com



### Key

- = Factory Wire
  - = Field Wire
  - - - = Alternate Field Wire
  - A = Audio Alarm, 115 VAC
  - AL = Alarm Light
  - AS = Audio Silence Switch
  - CCB = Controls Circuit Breaker
  - Logo = Logic Module
  - M = Motor Contactor
  - PCB = Pump Circuit Breaker
  - TL = Terminal Link
- \*Options**
- HT = Heater
  - PL = Power Light
  - PRL = Pump Run Light
  - TS = Test Switch



For MVP-S DM operation description, see drawing no. "EIN-CP-OP-2095".

