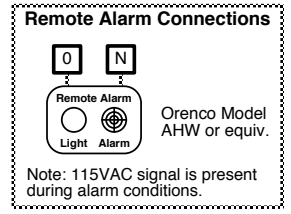
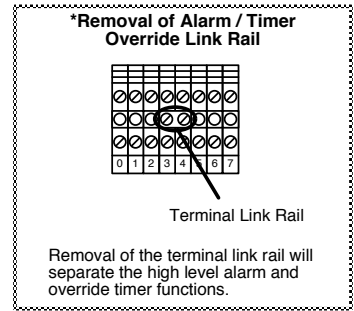
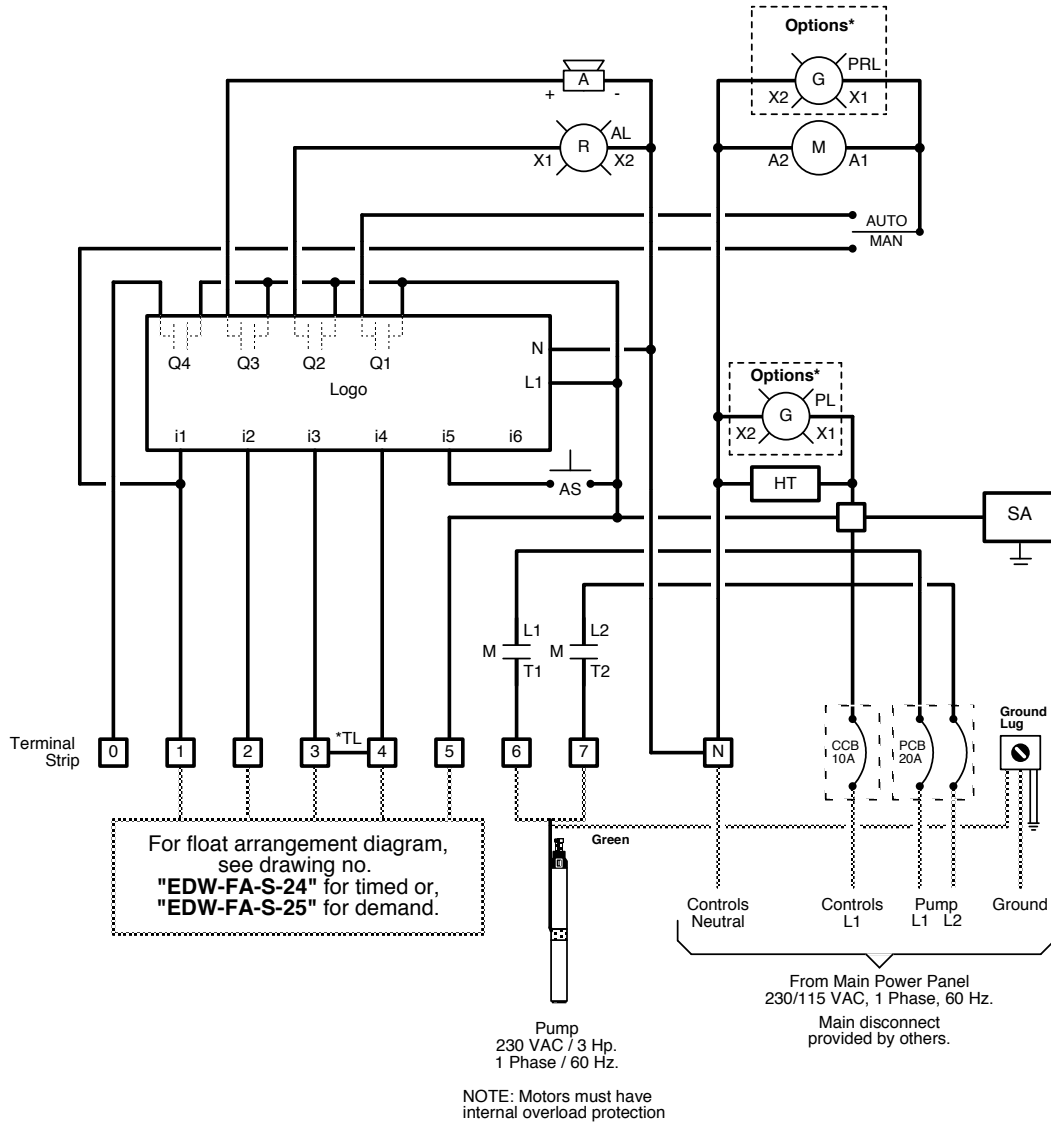


# Control Panel Wiring Diagram Model MVP-S2 DM HT SA -OHIO

814 AIRWAY AVENUE  
SUTHERLIN, OREGON  
97479  
TOLL FREE:  
(800) 348-9843  
TELEPHONE:  
(541) 459-4449  
FACSIMILE:  
(541) 459-2884  
WEB SITE:  
www.orenco.com



### Key

- = Factory Wire
- = Field Wire
- .- = Alternate Field Wire
- A = Audio Alarm, 115 VAC
- AL = Alarm Light
- AS = Audio Silence Switch
- CCB = Controls Circuit Breaker
- Logo = Logic Module
- M = Motor Contactor
- PCB = Pump Circuit Breaker
- HT = Heater
- SA = Surge Arrester

**\*Options**

- PL = Power Light
- PRL = Pump Run Light

For MVP-S DM-Ohio operation description, see drawing no. "EIN-CP-OP-2095".

