

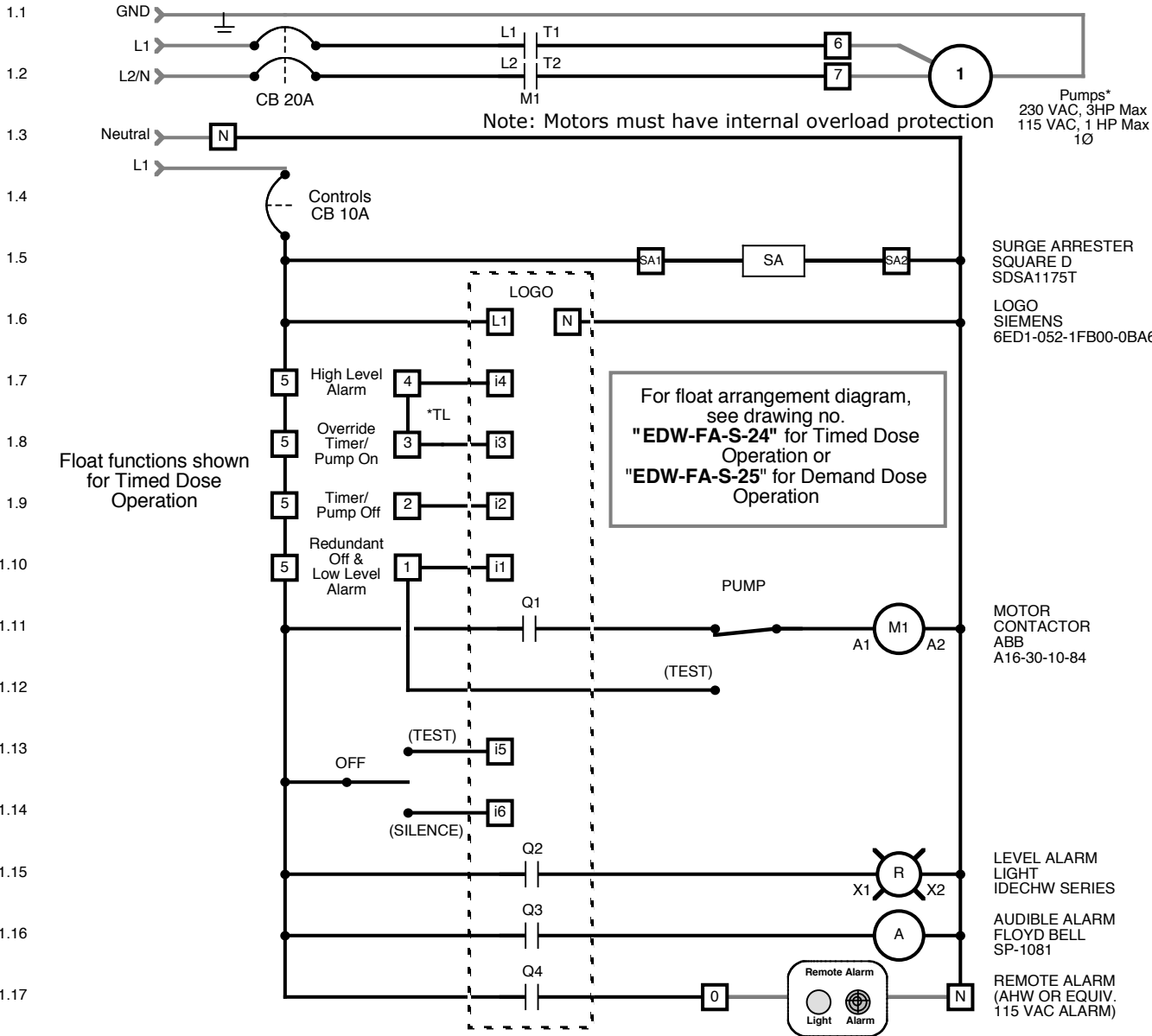
# Panel Wiring Diagram Model MVP-S2 DM Sonoma



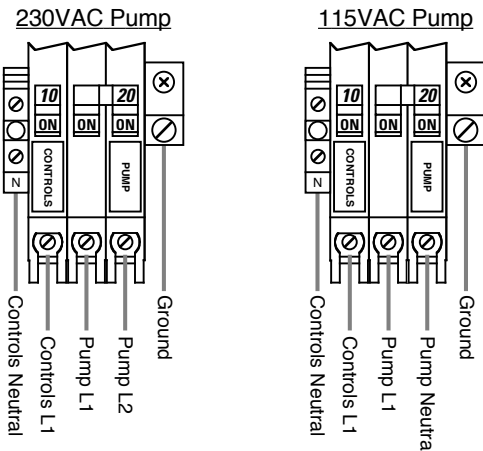
814 AIRWAY AVENUE  
SUTHERLIN, OREGON  
97479  
TOLL FREE:  
(800) 348-9843  
TELEPHONE:  
(541) 459-4449  
FACSIMILE:  
(541) 459-2884  
WEB SITE:  
www.orenco.com

From Main Power Panel  
230/115 VAC, 1 Phase, 60 Hz.  
Main disconnect  
provided by others.

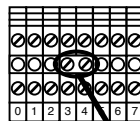
— = Factory Wire  
- - - = Field Wire



## Power Wiring Options



## Removal of Alarm / Timer Override Link Rail



Terminal Link Rail

Removal of the terminal link rail will separate the high level alarm and override timer functions for timed dose operation. The terminal link should be removed for demand dose operation.

For MVP-S DM Sonoma operation description, see drawing no. "EIN-CP-OP-2046"