

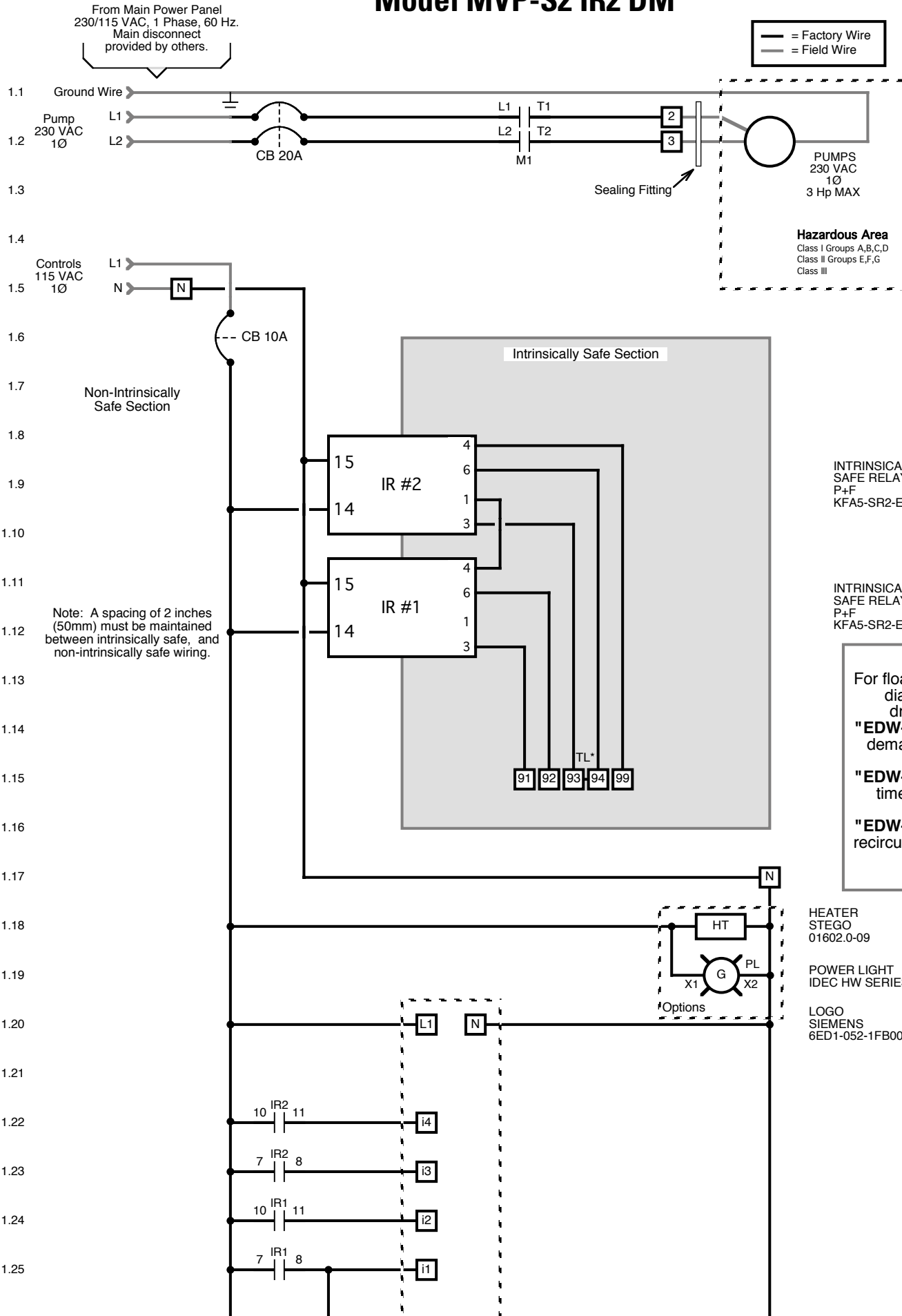
Control Panel Wiring Diagram

Model MVP-S2 IR2 DM



Oreco Systems
Incorporated

814 AIRWAY AVENUE
SUTHERLIN, OREGON
97479
TOLL FREE:
(800) 348-9843
TELEPHONE:
(541) 459-4449
FACSIMILE:
(541) 459-2884
WEB SITE:
www.oreco.com



INTRINSICALLY
SAFE RELAY
P+F
KFA5-SR2-EX2.W

INTRINSICALLY
SAFE RELAY
P+F
KFA5-SR2-EX2.W

For float arrangement
diagram, see
drawing no.
"EDW-FA-S-517" for
demand dosing or
"EDW-FA-S-518" for
timed dosing or
"EDW-FA-S-519" for
recirculation systems.

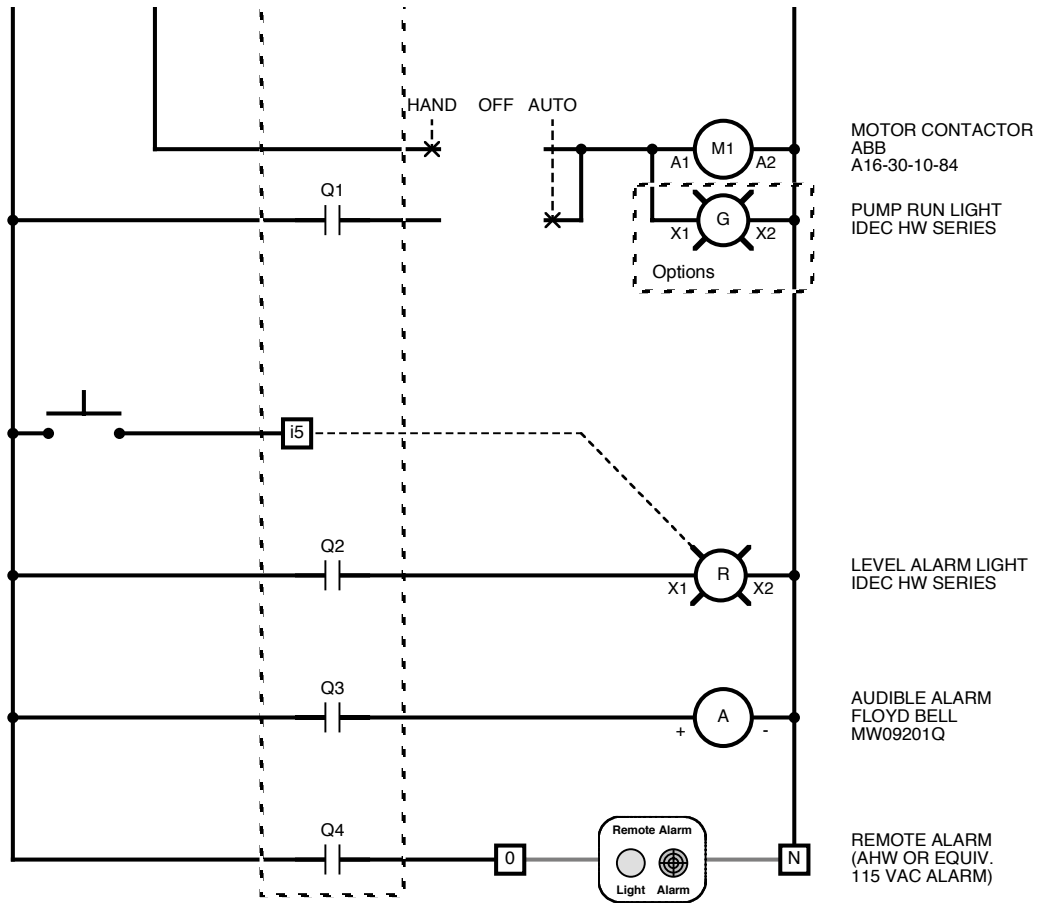
HEATER
STEGO
01602.0-09

POWER LIGHT
IDEC HW SERIES

LOGO
SIEMENS
6ED1-052-1FB00-0BA6

2.1
2.2
2.3
2.4
2.5
2.6
2.7
2.8
2.9
2.10
2.11
2.12
2.13
2.14
2.15
2.16
2.17
2.18
2.19
2.20
2.21
2.22
2.23
2.24
2.25
2.26
2.27

PUSH TO SILENCE



MOTOR CONTACTOR
ABB
A16-30-10-84

PUMP RUN LIGHT
IDEC HW SERIES

LEVEL ALARM LIGHT
IDEC HW SERIES

AUDIBLE ALARM
FLOYD BELL
MW09201Q

REMOTE ALARM
(AHW OR EQUIV.
115 VAC ALARM)

**Removal of Alarm / Timer
Override Link Rail**

Terminal Link Rail

Removal of the terminal link rail will separate the high level alarm and override timer functions for timed dose operation. The terminal link should be removed for demand dose or recirc operation.

For MVP-S operation description, see drawing no. "EIN-CP-OP-2036".

Power Wiring Options

Two Circuits

Factory default.
Wire as shown.

One Circuit

Use a wire nut to connect the first pole of the pump circuit breaker together with the controls breaker and with the incoming L1 power line.