

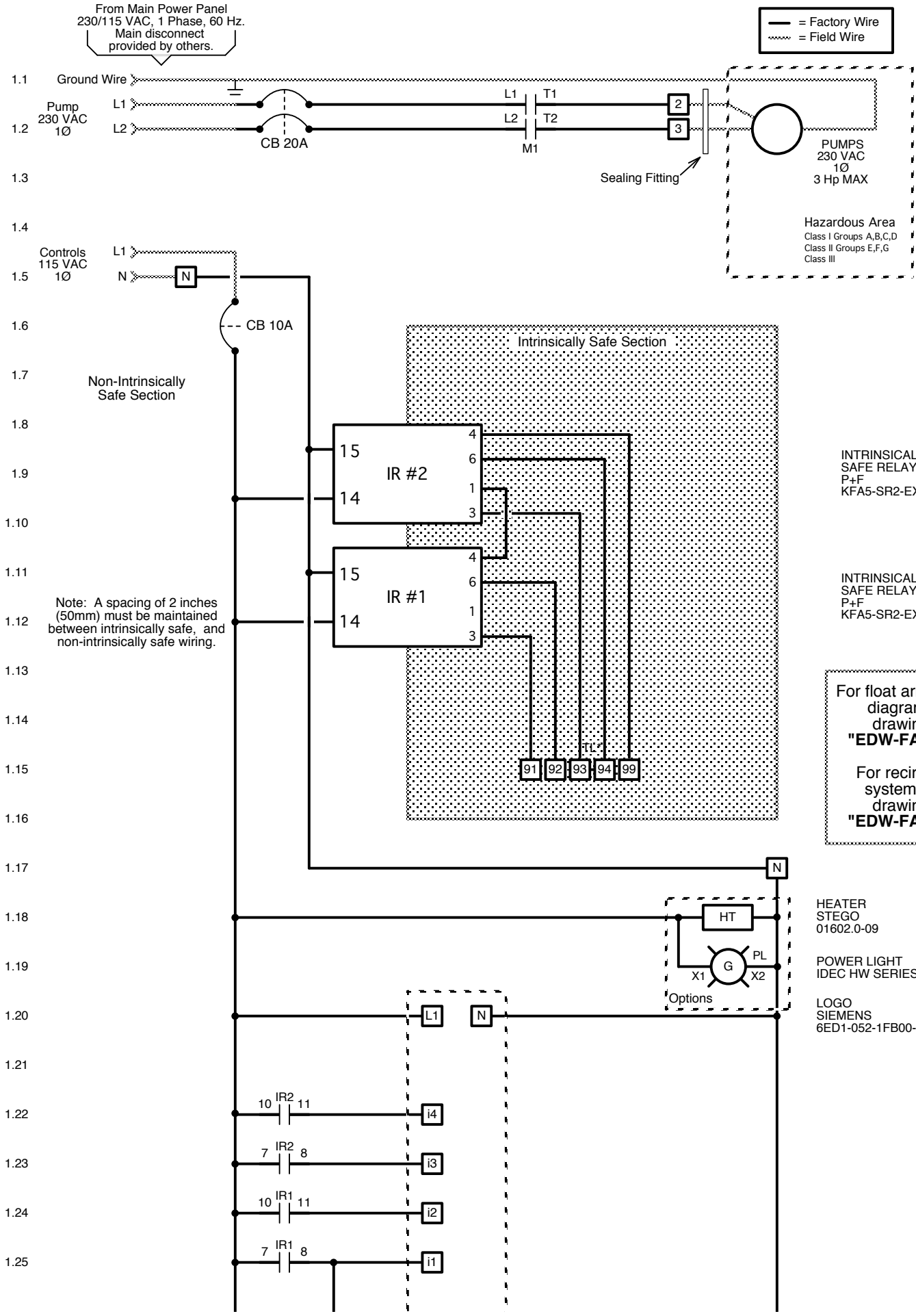
Control Panel Wiring Diagram Model MVP-S2 IR2 PT R0



814 AIRWAY AVENUE
SUTHERLIN, OREGON
97479-9012

TELEPHONE:
(541) 459-4449

FACSIMILE:
(541) 459-2884

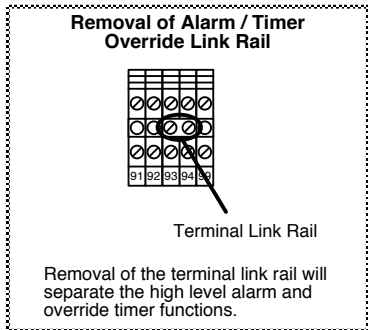
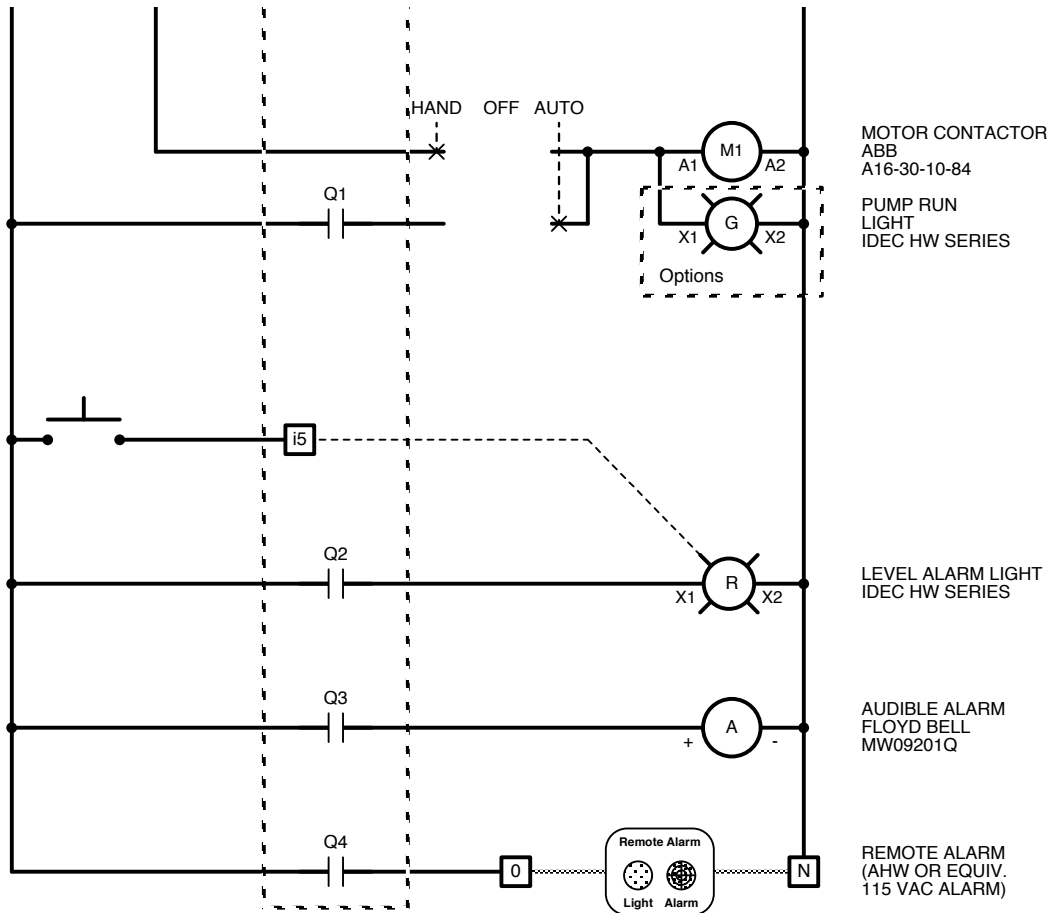


For float arrangement diagram, see drawing no. "EDW-FA-S-511".

For recirculation systems, see drawing no. "EDW-FA-S-512".

2.1
2.2
2.3
2.4
2.5
2.6
2.7
2.8
2.9
2.10
2.11
2.12
2.13
2.14
2.15
2.16
2.17
2.18
2.19
2.20
2.21
2.22
2.23
2.24
2.25
2.26
2.27

PUSH TO SILENCE



For MVP-S operation
description, see drawing no.
"EIN-CP-OP-5".

