

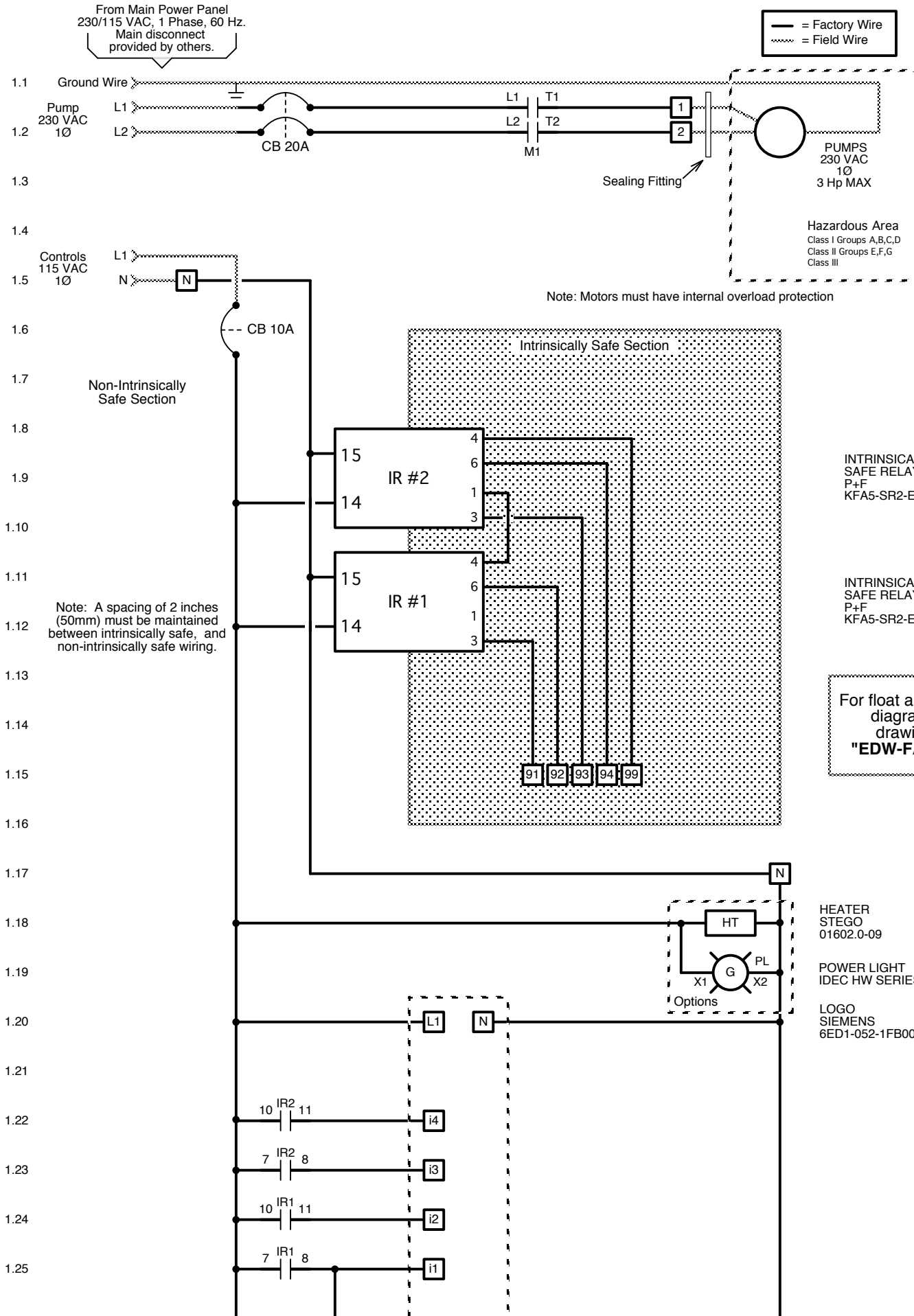
Control Panel Wiring Diagram Model MVP-S2 IR2 R0



814 AIRWAY AVENUE
SUTHERLIN, OREGON
97479-9012

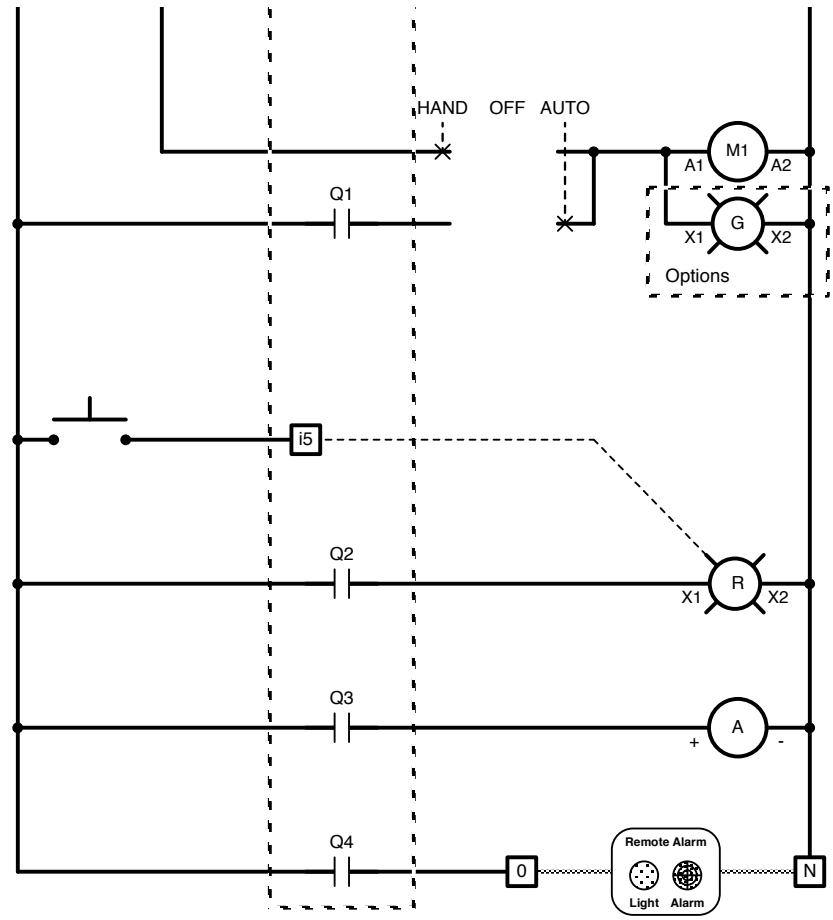
TELEPHONE:
(541) 459-4449

FACSIMILE:
(541) 459-2884



2.1
2.2
2.3
2.4
2.5
2.6
2.7
2.8
2.9
2.10
2.11
2.12
2.13
2.14
2.15
2.16
2.17
2.18
2.19
2.20
2.21
2.22
2.23
2.24
2.25
2.26
2.27

PUSH TO SILENCE



MOTOR CONTACTOR
ABB
A16-30-10-84

PUMP RUN
LIGHT
IDEC HW SERIES

LEVEL ALARM LIGHT
IDEC HW SERIES

AUDIBLE ALARM
FLOYD BELL
MW09201Q

REMOTE ALARM
(AHW OR EQUIV.
115 VAC ALARM)

For MVP-S RO operation
description, see drawing no.
"EIN-CP-OP-183".

