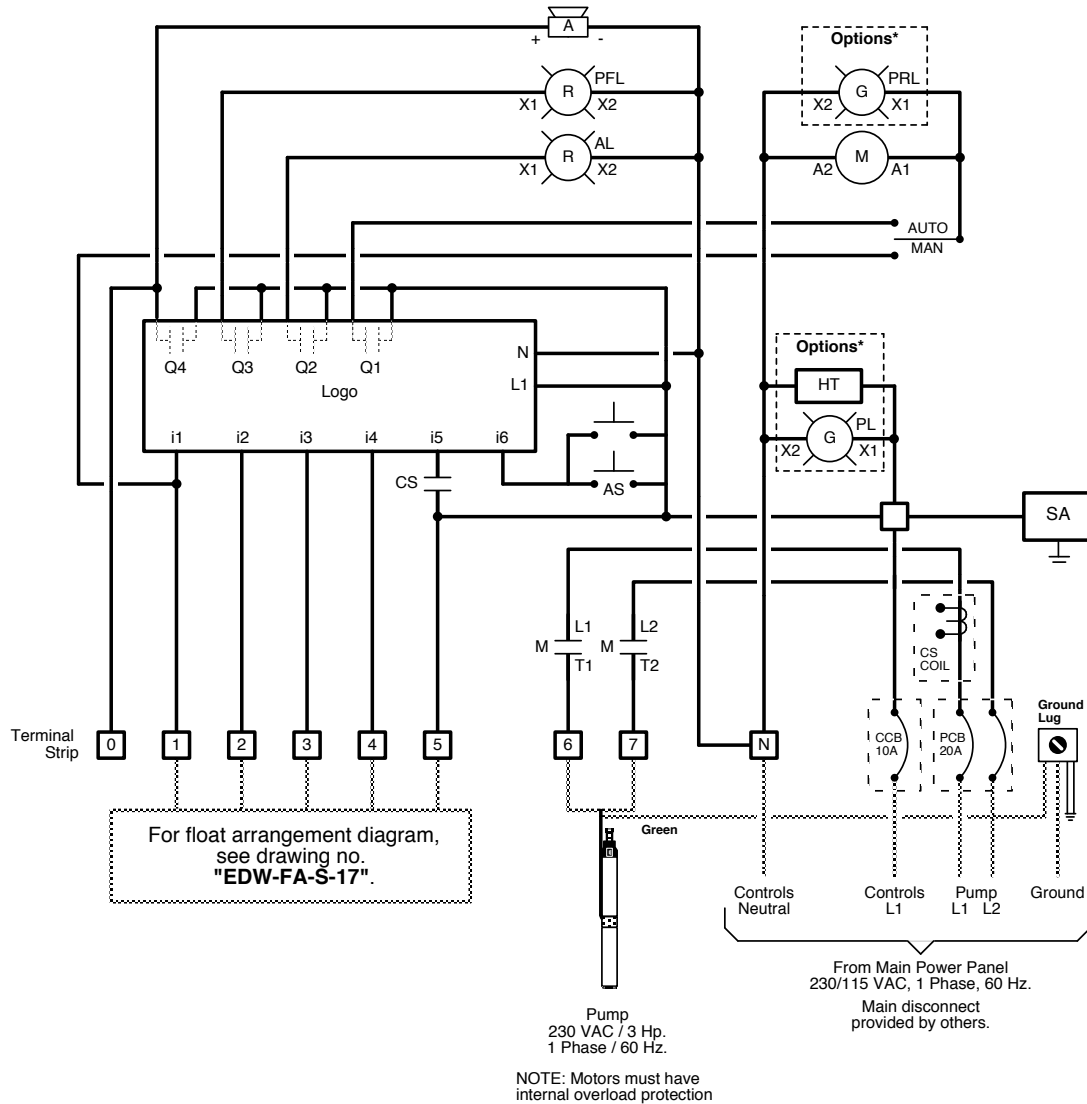


Control Panel Wiring Diagram

Model MVP-S2 RO CS SA

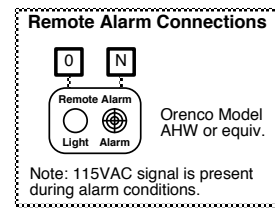


For float arrangement diagram, see drawing no. "EDW-FA-S-17".

NOTE: Motors must have internal overload protection

Key

- = Factory Wire
 - ⋯ = Field Wire
 - - - = Alternate Field Wire
 - A = Audio Alarm, 115 VAC
 - AL = Alarm Light
 - AS = Audio Silence Switch
 - CCB = Controls Circuit Breaker
 - CS = Current Sensor
 - Logo = Logic Module
 - M = Motor Contactor
 - PCB = Pump Circuit Breaker
 - PFL = Pump Fail Light
 - SA = Surge Arrester
 - TL = Terminal Link
- *Options**
- HT = Heater
 - PL = Power Light
 - PRL = Pump Run Light



For MVP-S RO CS operation description, see drawing no. "EIN-CP-OP-1123".

