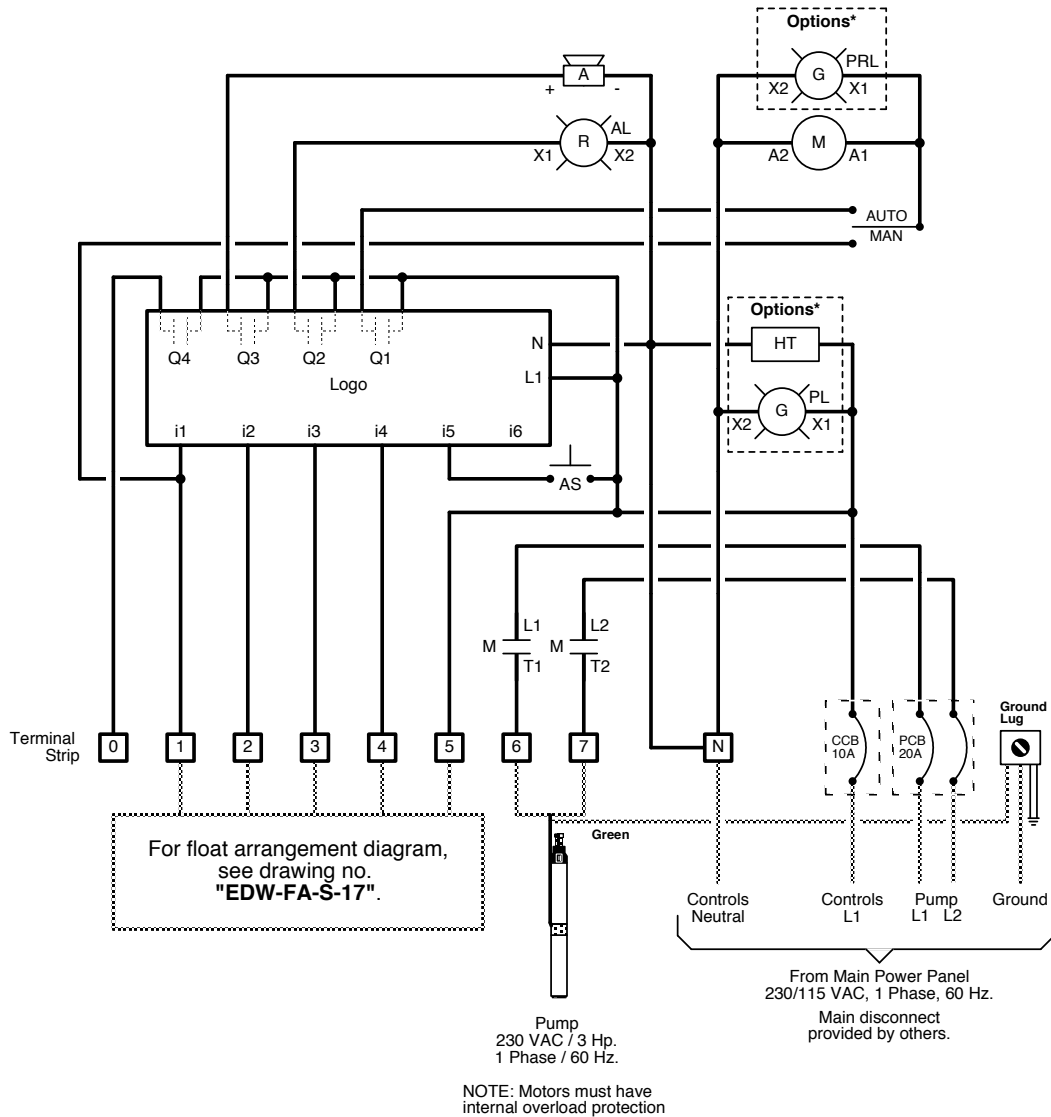


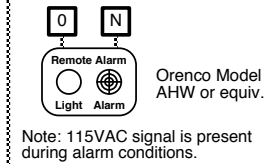
Control Panel Wiring Diagram Model MVP-S2 RO



Key

- = Factory Wire
 - = Field Wire
 - · - = Alternate Field Wire
 - A = Audio Alarm, 115 VAC
 - AL = Alarm Light
 - AS = Audio Silence Switch
 - CCB = Controls Circuit Breaker
 - Logo = Logic Module
 - M = Motor Contactor
 - PCB = Pump Circuit Breaker
 - TL = Terminal Link
- *Options**
- HT = Heater
 - PL = Power Light
 - PRL = Pump Run Light

Remote Alarm Connections



For MVP-S RO operation description, see drawing no. "EIN-CP-OP-183".

Power Wiring Options

