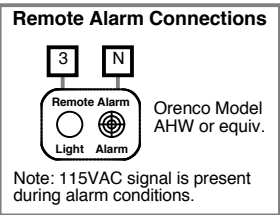
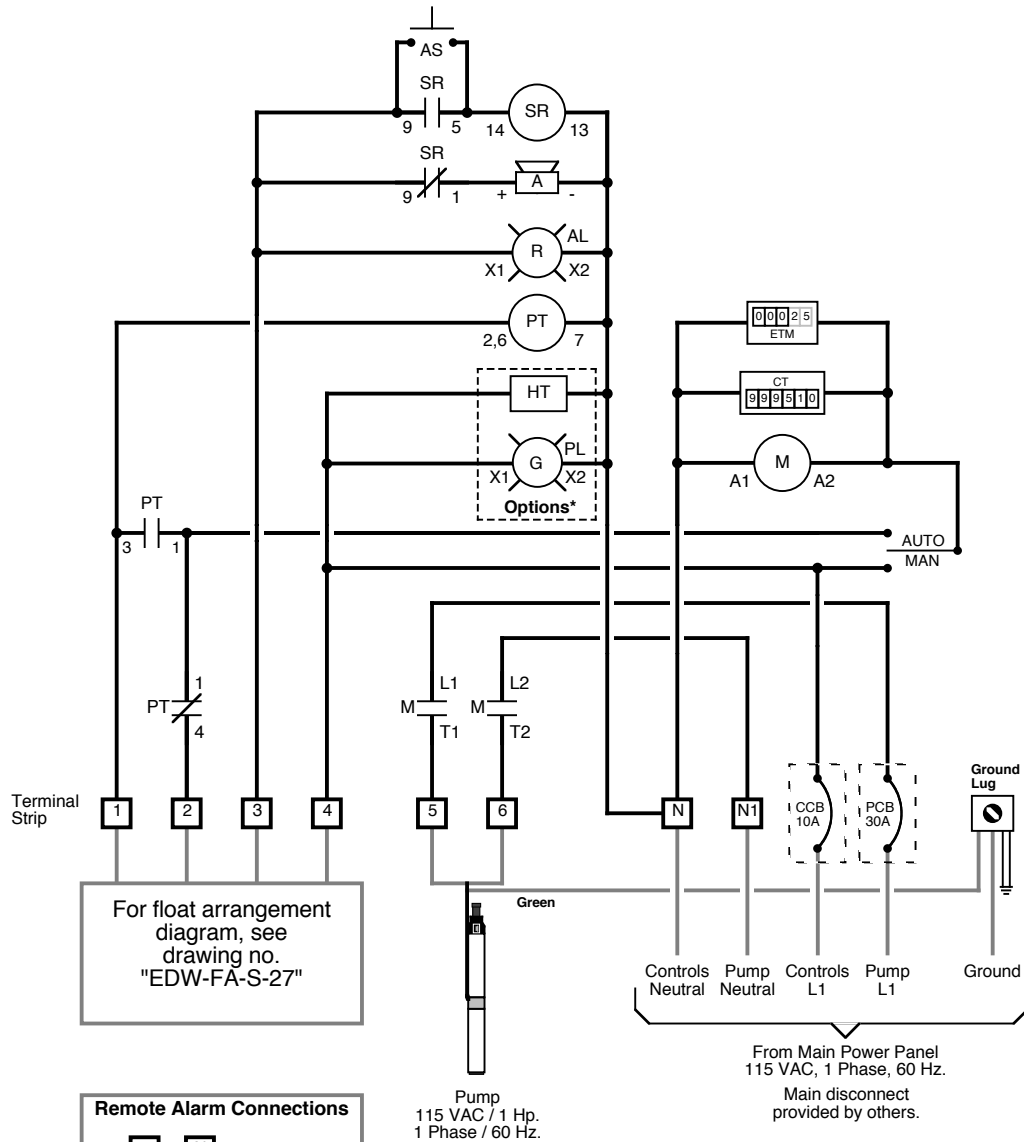


# Panel Wiring Diagram Model S1 PT (BNM)-30A



NOTE: Motors must have internal overload protection

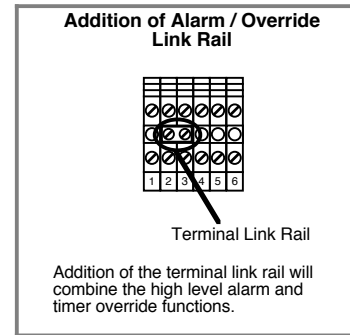
## Simplex Operation

**High Level Alarm:** This float activates the alarm light and audible alarm when lifted. The audible alarm may be silenced by pressing the illuminated PUSH TO SILENCE button on the front of the control panel. The alarm light will remain on until the float is lowered.

**Timer Override On & Off:** This float turns on the pump when lifted and off when lowered.

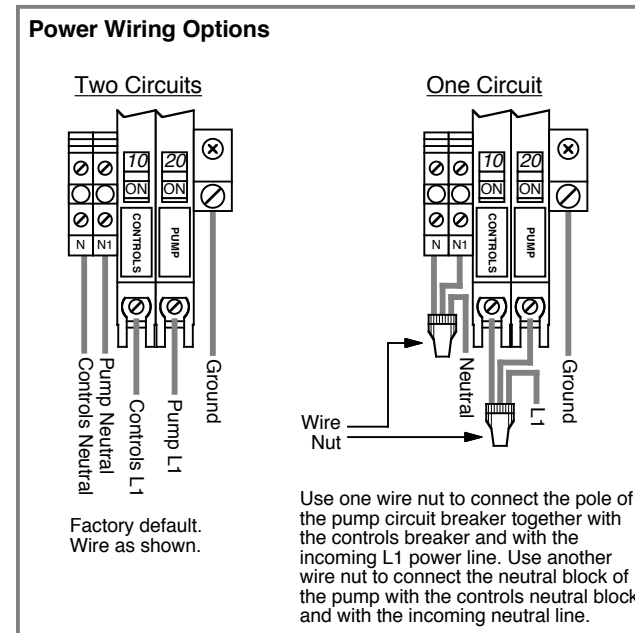
**Timer On & Off:** This float turns off the programmable timer when lowered. When this float is lifted the timer will be restarted. Note: The timer will start with its off cycle.

**Programmable Timer:** The timer turns the pump on and off in a pre-set cycle. Note: The timer will start with its off cycle.



## Key

- = Factory Wire
- - - = Field Wire
- · - · - = Alternate Field Wire
- A = Alarm Light
- AL = Audio Alarm, 115 VAC
- AS = Audio Silence Switch
- CCB = Cycle Counter
- CT = Elapsed Time Meter
- ETM = Motor Contactor CL02
- M = Pump Circuit Breaker
- PCB = Programmable Timer
- PT = Silence Control Relay (1P)
- SR = Terminal Link
- TL
- \*Options
- HT = Heater
- PL = Power Light



814 AIRWAY AVENUE  
SUTHERLIN, OREGON  
97479

TOLL FREE:  
(800) 348-9843

TELEPHONE:  
(541) 459-4449

FACSIMILE:  
(541) 459-2884