

# Panel Wiring Diagram

## Model S1 PT RO SA

814 AIRWAY AVENUE  
SUTHERLIN, OREGON  
97479  
TOLL FREE:  
(800) 348-9843  
TELEPHONE:  
(541) 459-4449  
FACSIMILE:  
(541) 459-2884  
WEB SITE:  
www.orenco.com

### Simplex Operation

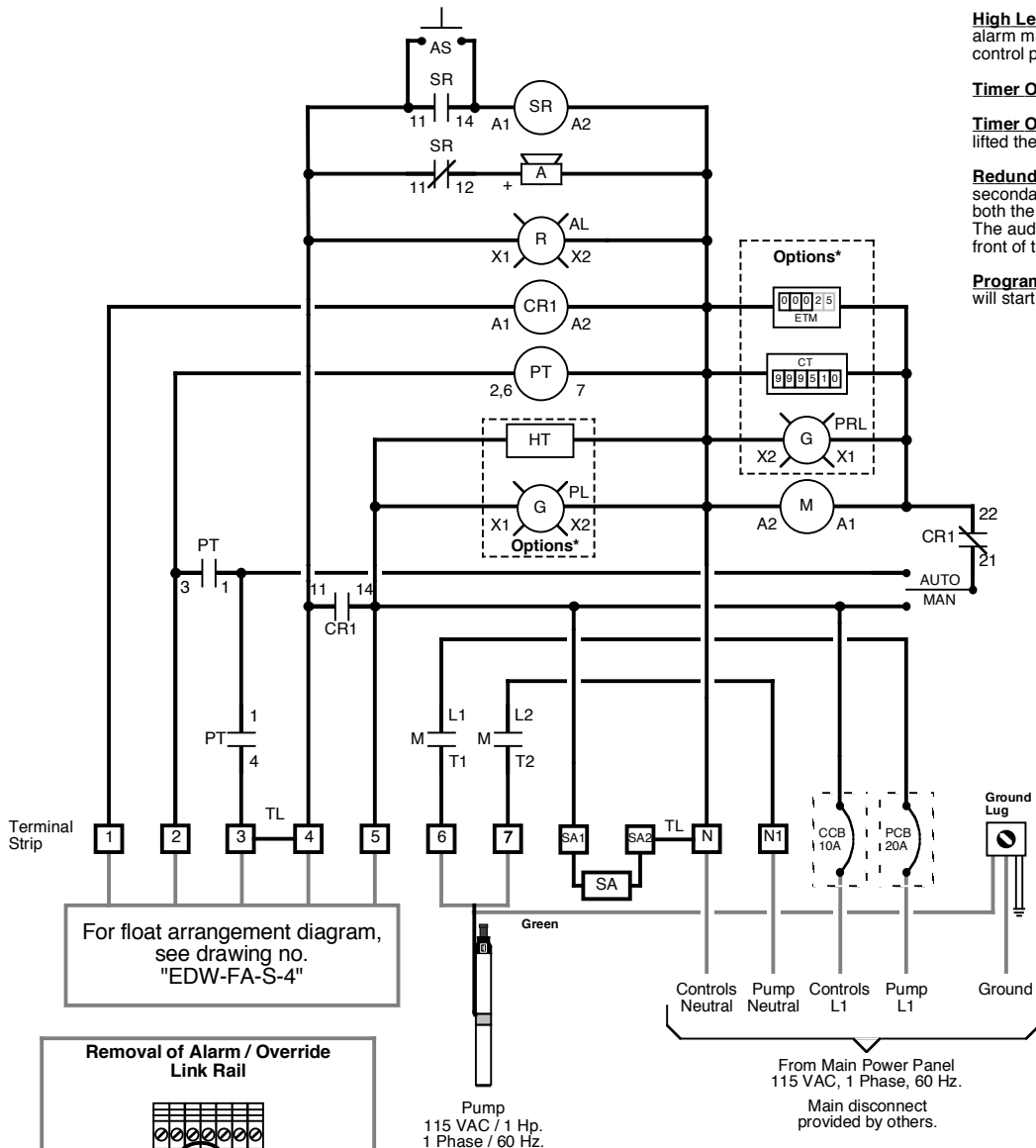
**High Level Alarm:** This float activates the alarm light and audible alarm when lifted. The audible alarm may be silenced by pressing the illuminated PUSH TO SILENCE button on the front of the control panel. The alarm light will remain on until the float is lowered.

**Timer Override On & Off:** This float turns on the pump when lifted and off when lowered.

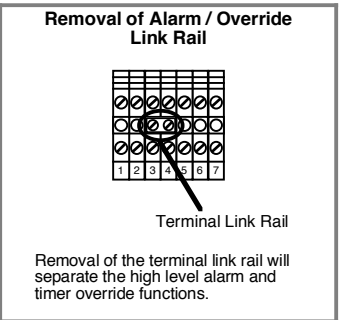
**Timer On & Off:** This float turns off the programmable timer when lowered. When this float is lifted the timer will be restarted. Note: The timer will start with its off cycle.

**Redundant Off & Low Level Alarm:** This float turns off the pump when lowered. This float is a secondary off float which will operate if the Timer On & Off float fails. Pumping will be disabled in both the automatic and manual modes. This float also activates the alarm light and audible alarm. The audible alarm may be silenced by pressing the illuminated PUSH TO SILENCE button on the front of the control panel. The alarm light will remain on until the float is lifted.

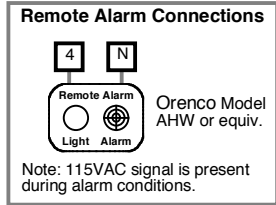
**Programmable Timer:** The timer turns the pump on and off in a pre-set cycle. Note: The timer will start with its off cycle.



For float arrangement diagram, see drawing no. "EDW-FA-S-4"



NOTE: Motors must have internal overload protection



### Key

- = Factory Wire
  - - = Field Wire
  - · - = Alternate Field Wire
  - A = Audio Alarm, 115 VAC
  - AL = Alarm Light
  - AS = Audio Silence Switch
  - CCB = Controls Circuit Breaker
  - CR1 = Redundant Off Relay
  - M = Motor Contactor
  - PCB = Pump Circuit Breaker
  - PT = Programmable Timer
  - SA = Surge Arrester
  - SR = Silence Control Relay
  - TL = Terminal Link
- \*Options**
- CT = Cycle Counter
  - ETM = Elapsed Time Meter
  - HT = Heater
  - PL = Power Light
  - PRL = Pump Run Light

