

Panel Wiring Diagram Model S1 RO MTS GR

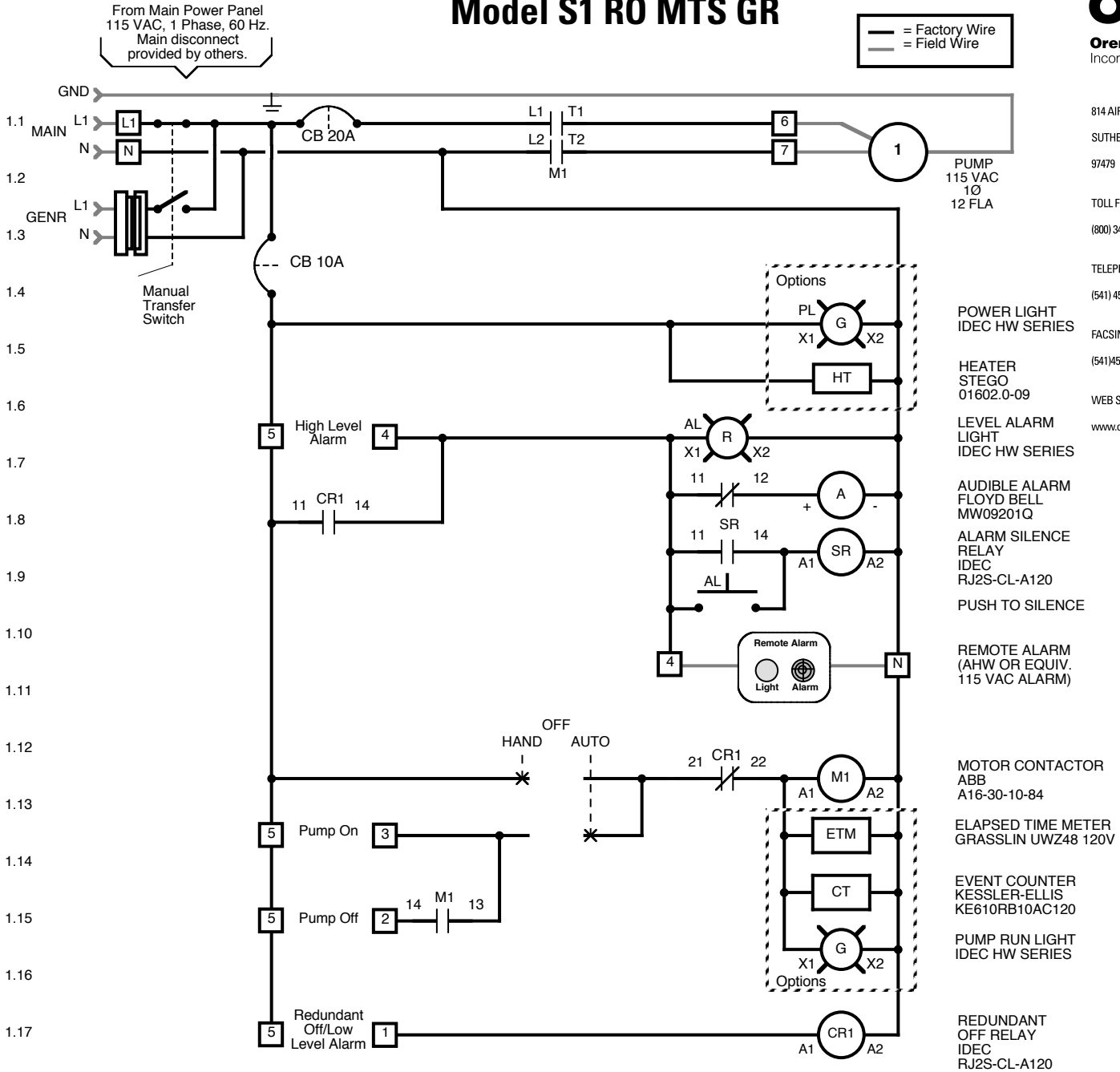
814 AIRWAY AVENUE
SUTHERLIN, OREGON
97479

TOLL FREE:
(800) 348-9843

TELEPHONE:
(541) 459-4449

FACSIMILE:
(541) 459-2884

WEB SITE:
www.orencia.com



For float arrangement diagram, see drawing no. "EDW-FA-S-2".

Simplex Operation

High Level Alarm: This float activates the alarm light and audible alarm when lifted. The audible alarm may be silenced by pressing the illuminated PUSH TO SILENCE button on the front of the control panel. The alarm light will remain on until the float is lowered.

Pump On: This float turns on the pump when lifted. The pump will continue to run until the Pump Off float is lowered.

Pump Off: This float turns off the pump when lowered.

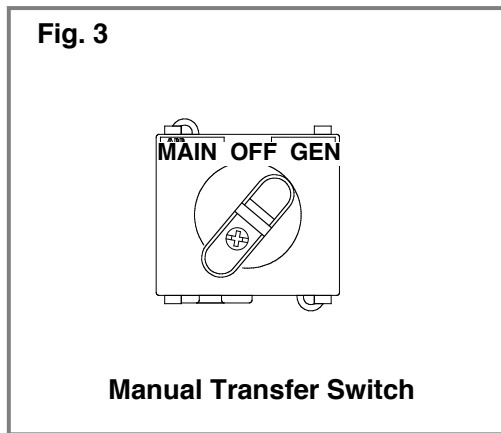
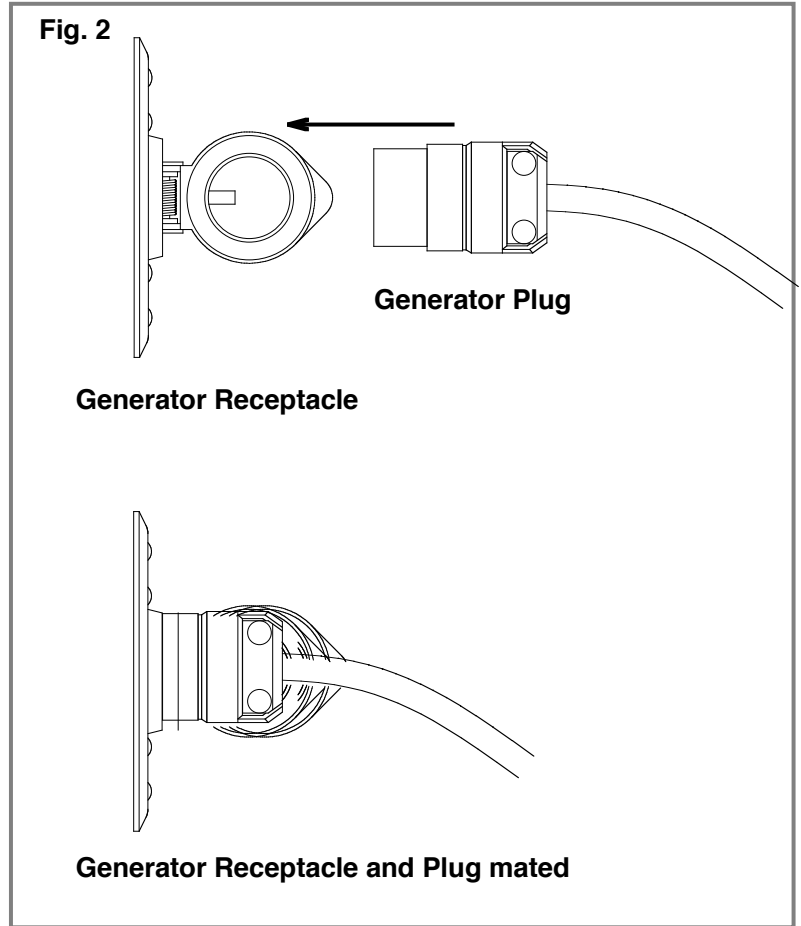
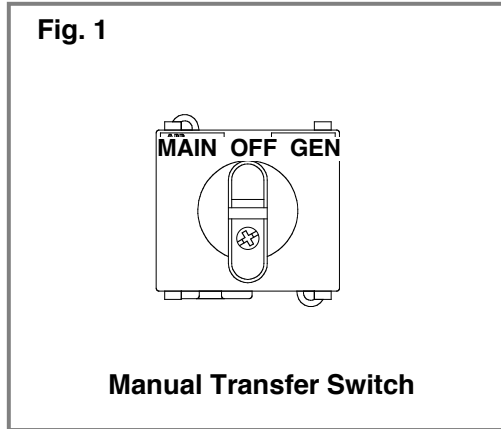
Redundant Off & Low Level Alarm: This float turns off the pump when lowered. This float is a secondary off float which will operate if the Pump Off float fails. Pumping will be disabled in both the automatic and manual modes. This float also activates the alarm light and audible alarm. The audible alarm may be silenced by pressing the illuminated PUSH TO SILENCE button on the front of the control panel. The alarm light will remain on until the float is lifted.

2.1
2.2
2.3
2.4
2.5
2.6
2.7
2.8
2.9
2.10
2.11
2.12
2.13
2.14
2.15
2.16
2.17
2.18
2.19
2.20
2.21
2.22
2.23
2.24
2.25
2.26
2.27
2.28

Generator Operation

To operate this control panel using a generator, follow these instructions:

- 1) Turn OFF all circuit breakers.
- 2) Place the manual transfer switch to the OFF position (see fig. 1).
- 3) Insert the generator plug into the generator receptacle (see fig. 2).
- 4) Start the generator and allow it to warm up to operating temperature. Please refer to your generator instruction manual.
CAUTION: The output from your generator must be 120V AC.
- 5) Place the manual transfer switch to the GEN position (see fig. 3).
- 6) Turn ON all circuit breakers. Your control panel is now operating via generator power.



Recommended Ancillary Items For Generator Operation

This control panel includes a manual transfer switch and generator receptacle. The generator and generator plug must be provided by others. Orenco Systems recommends the following:

Generator: 2500 Watt, 120VAC, 1 Phase, 60Hz.
Suggested Part: Coleman Powermate, Honda EN2500 or equal.

Generator Plug: 120V 2Wire+GND Female
Suggested Part: Leviton 515CR or equal.