

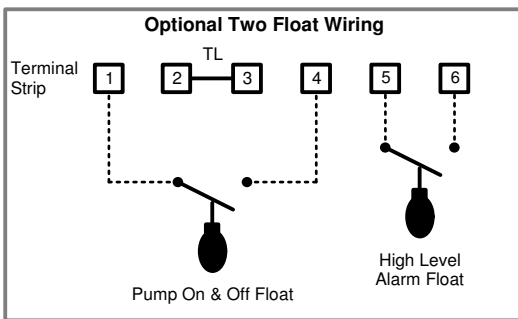
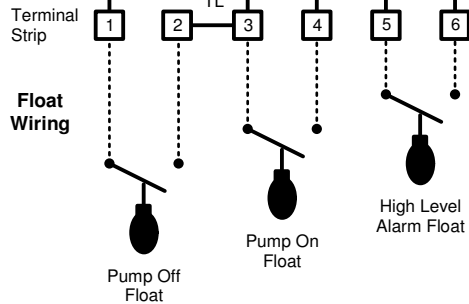
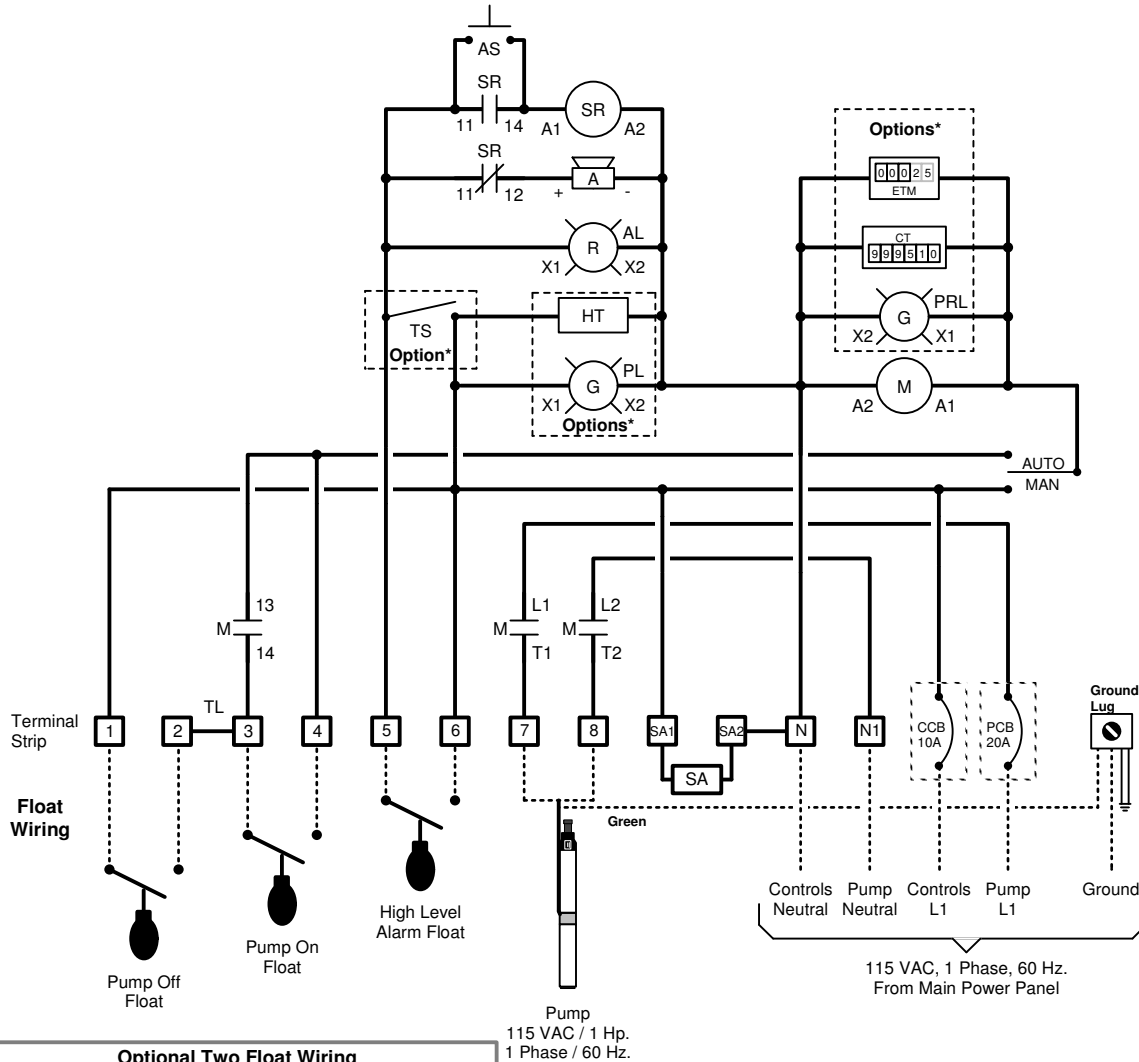
# Panel Wiring Diagram Model S1 SA

## Simplex Operation

**High Level Alarm:** This float activates the alarm light and audible alarm when lifted. The audible alarm may be silenced by pressing the illuminated PUSH TO SILENCE button on the front of the control panel. The alarm light will remain on until the float is lowered.

**Pump On:** This float turns on the pump when lifted. The pump will continue to run until the pump off float is lowered.

**Pump Off:** This float shuts off the pump when lowered.



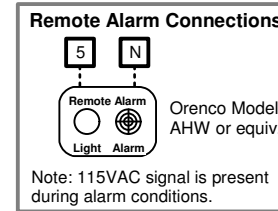
For additional float wiring options, see drawing no. "EDW-FA-S-1"

## Key

- = Factory Wire
- = Field Wire
- - - = Alternate Field Wire
- A = Audio Alarm, 115 VAC
- AL = Alarm Light
- AS = Audio Silence Switch
- CCB = Controls Circuit Breaker
- M = Motor Contactor
- PCB = Pump Circuit Breaker
- SR = Silence Control Relay
- TL = Terminal Link

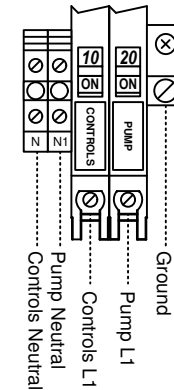
## \*Options

- CT = Cycle Counter
- ETM = Elapsed Time Meter
- HT = Heater
- PL = Power Light
- PRL = Pump Run Light
- TS = Alarm Test Switch



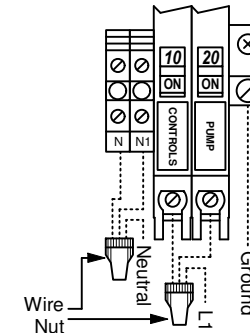
## Power Wiring Options

### Two Circuits



Factory default.  
Wire as shown.

### One Circuit



Use one wire nut to connect the pump and controls circuit breakers together with the incoming L1 power line. Use another wire nut to connect the pump and controls neutral blocks together with the incoming neutral line.