

Panel Wiring Diagram Model DAX1 PT

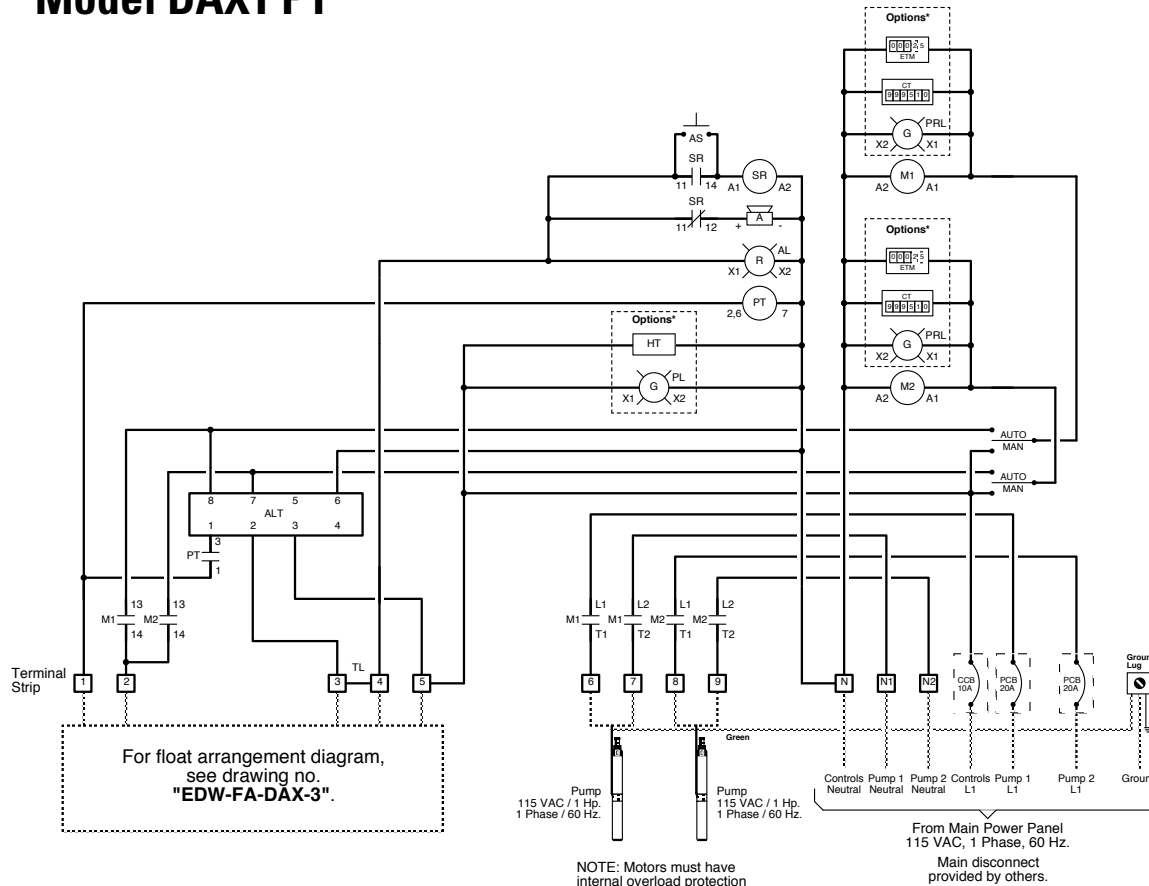


Oreco Systems®
Incorporated

814 AIRWAY AVENUE
SUTHERLIN, OREGON
97479-9012

TELEPHONE:
(541) 459-4449

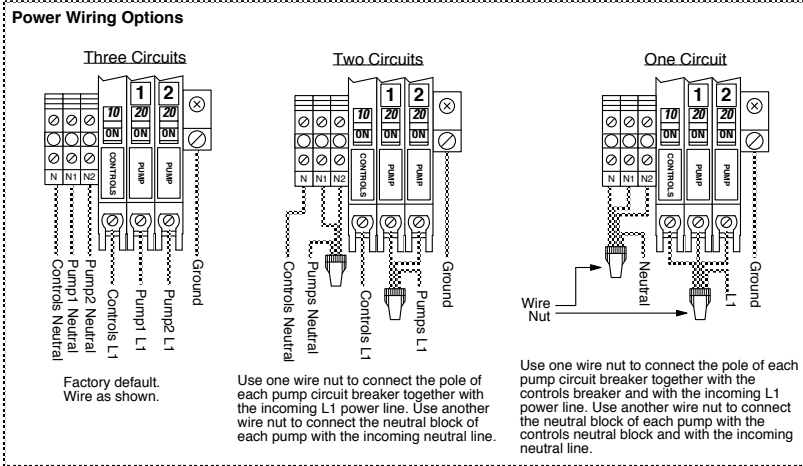
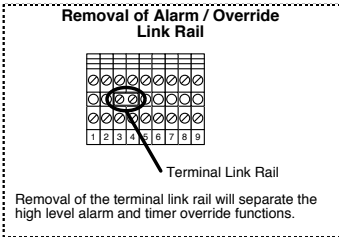
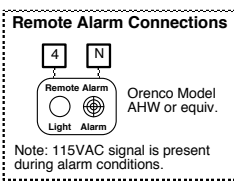
FACSIMILE:
(541) 459-2884



For float arrangement diagram,
see drawing no.
"EDW-FA-DAX-3".

NOTE: Motors must have
internal overload protection

From Main Power Panel
115 VAC, 1 Phase, 60 Hz.
Main disconnect
provided by others.



Duplex Operation

High Level Alarm: This float activates the alarm light and audible alarm when lifted. The audible alarm may be silenced by pressing the illuminated PUSH TO SILENCE button on the front of the control panel. The alarm light will remain on until the float is lowered.

Timer Override On: This float turns on the lag pump when lifted.

Timer Override Off: When lowered, this float turns off any pump(s) which were started by the Timer Override On float.

Timer On & Off: This float turns off the programmable timer when lowered. When this float is lifted the timer will be restarted. Note: The timer will start with its off cycle.

Programmable Timer: The timer turns the lead pump on and off in a pre-set cycle. Note: The timer will start with its off cycle.

Key

- = Factory Wire
- - - = Field Wire
- · - · - = Alternate Field Wire
- A = Audio Alarm, 115 VAC
- AL = Alarm Light
- ALT = Duplex Alternator
- AS = Audio Silence Switch
- CCB = Controls Circuit Breaker
- M = Motor Contactor
- PCB = Pump Circuit Breaker
- PT = Programmable Timer
- SR = Silence Control Relay
- TL = Terminal Link

*Options

- CT = Cycle Counter
- ETM = Elapsed Time Meter
- HT = Heater
- PL = Power Light
- PRL = Pump Run Light