

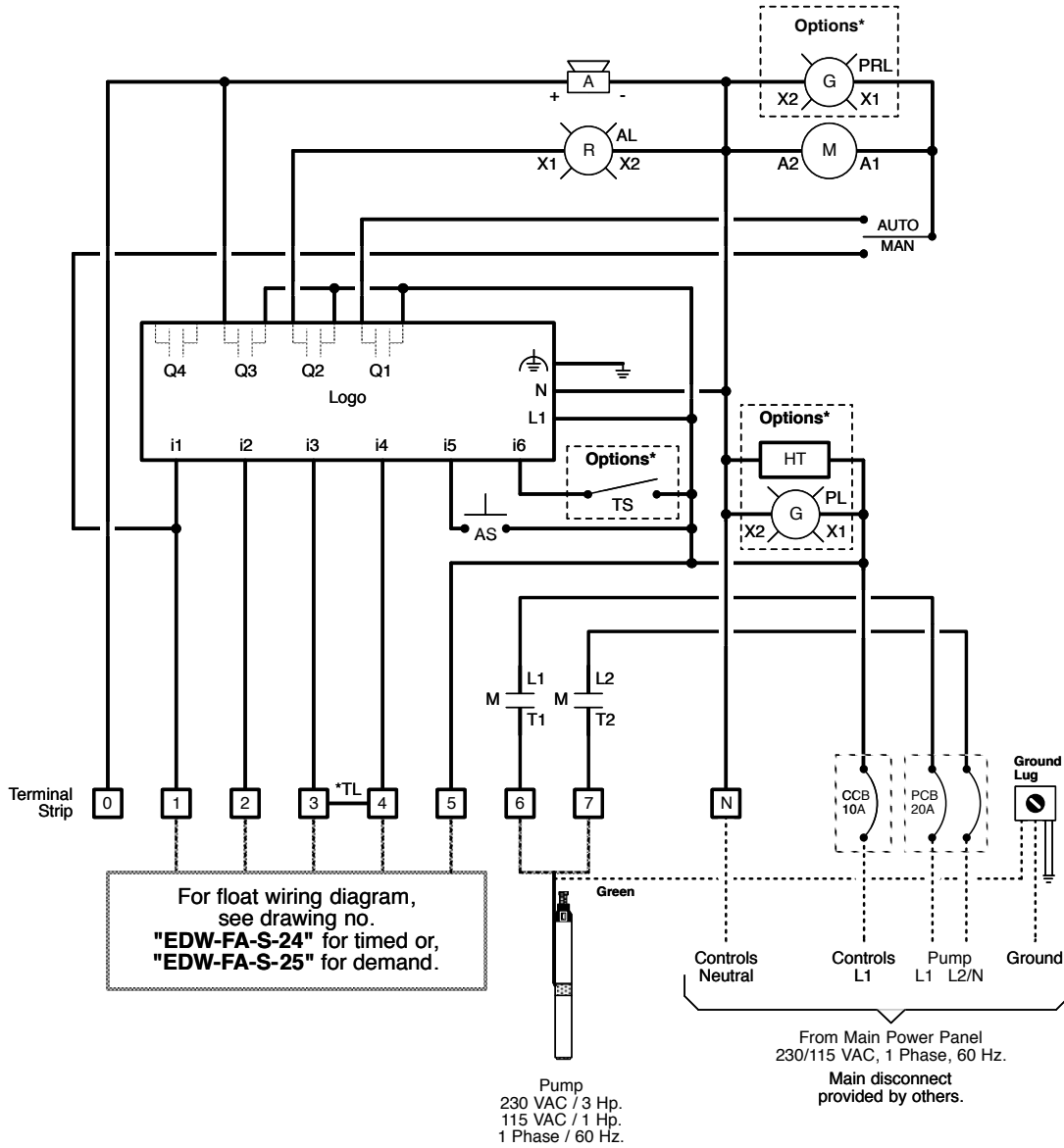
# Control Panel Wiring Diagram Model MVP-S2 DM



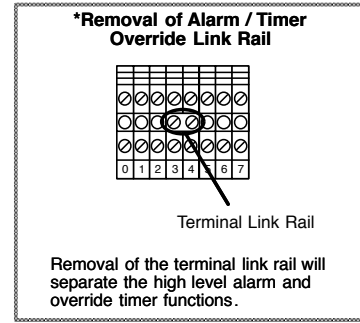
814 AIRWAY AVENUE  
SUTHERLIN, OREGON  
97479-9012

TELEPHONE:  
(800) 348-9843  
(541) 459-4449

WEBSITE:  
www.orenco.com

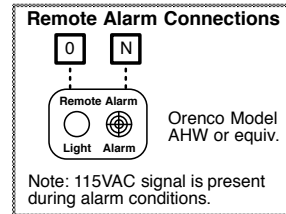


NOTE: Motors must have internal overload protection



### Key

- = Factory Wire
  - - - = Field Wire
  - · · = Alternate Field Wire
  - · - = Audio Alarm, 115 VAC
  - A = Alarm Light
  - AL = Audio Silence Switch
  - AS = Controls Circuit Breaker
  - CCB = Logic Module
  - Logo = Motor Contactor
  - M = Pump Circuit Breaker
  - PCB = Terminal Link
  - TL = Terminal Link
- \*Options**
- = Heater
  - = Power Light
  - = Pump Run Light
  - = Test Switch
- HT  
PL  
PRL  
TS



For MVP-S DM operation description, see drawing no. "EIN-CP-OP-2036".

